

NOTA

- Prezentul plan a fost intocmit in conformitate cu prevederile SR EN 1536:2011 "Executia lucrarilor geotehnice speciale. Piloti forati".
- S-a avut in vedere planurile de cofraj EA5101E16BBPV03920031, EA5101E16BBPV03920041.
- La executie se vor respecta cu strictete prevederile din caietul de sarcini si se vor intocmi fisele de forare si betanare.
- La executie se vor respecta cu strictete prevederile din "Normativ pentru producerea betonului si executarea lucrarilor din beton, beton armat si beton precomprimat. Partea 1: Producerea betonului", indicativ NE 012/1-2007 si "Normativ pentru producerea betonului si executarea lucrarilor din beton, beton armat si beton precomprimat. Partea 2: Executarea lucrarilor din beton", indicativ NE 012/2-2010, iar verificarea calitatii lucrarilor si receptionarea lor se va face conform normativului C56-1985.
- Dupa executarea sapaturii pentru prima coloana se va chema proiectantul geotehnician pentru confirmarea naturii terenului intalnit in stratul strabatut de coloane pana la cota de fundare a acestora.

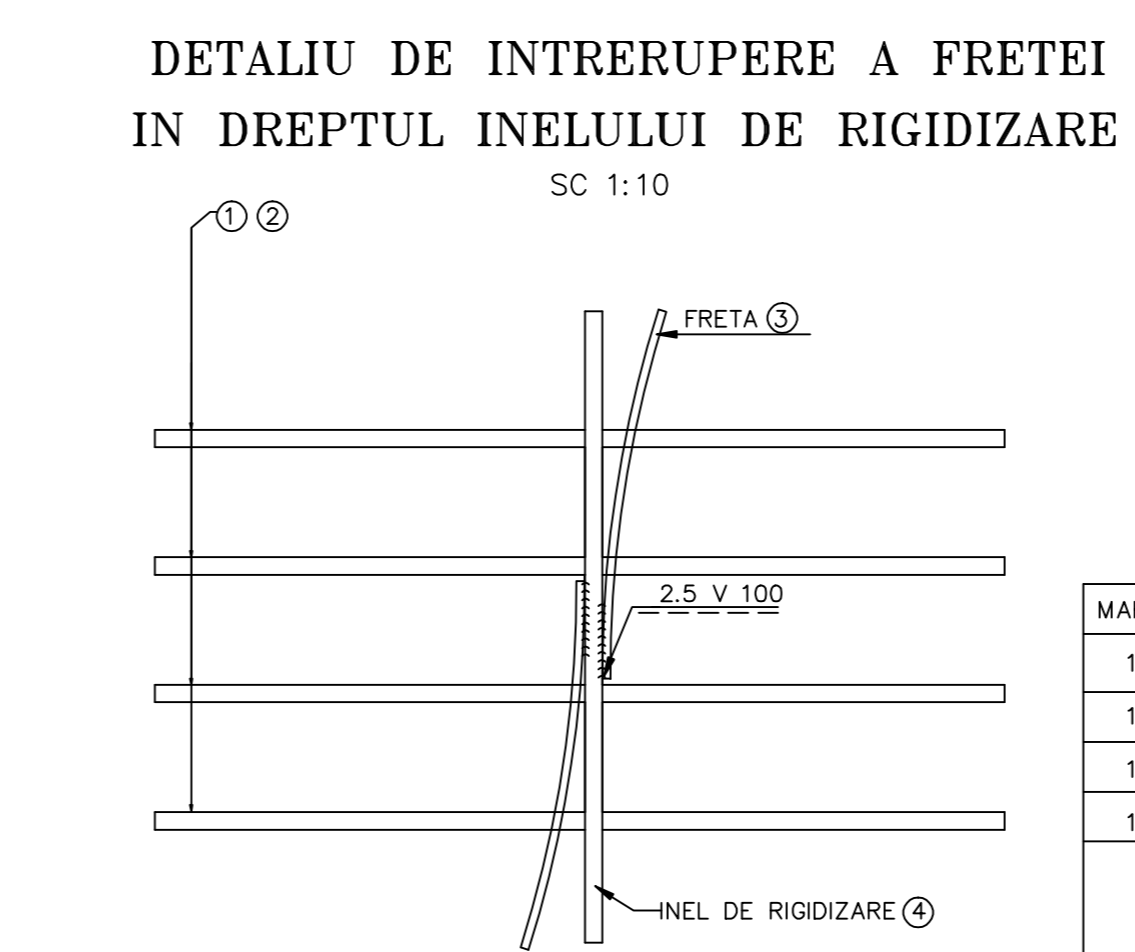
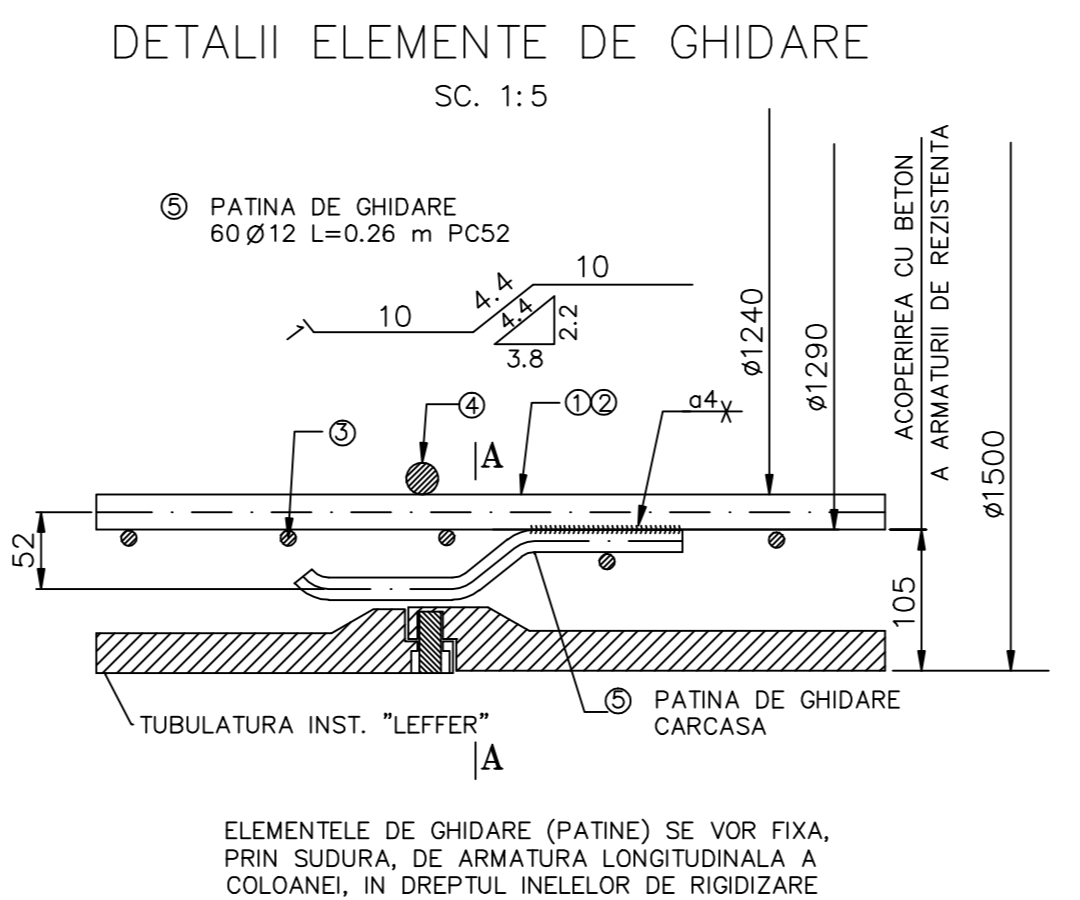
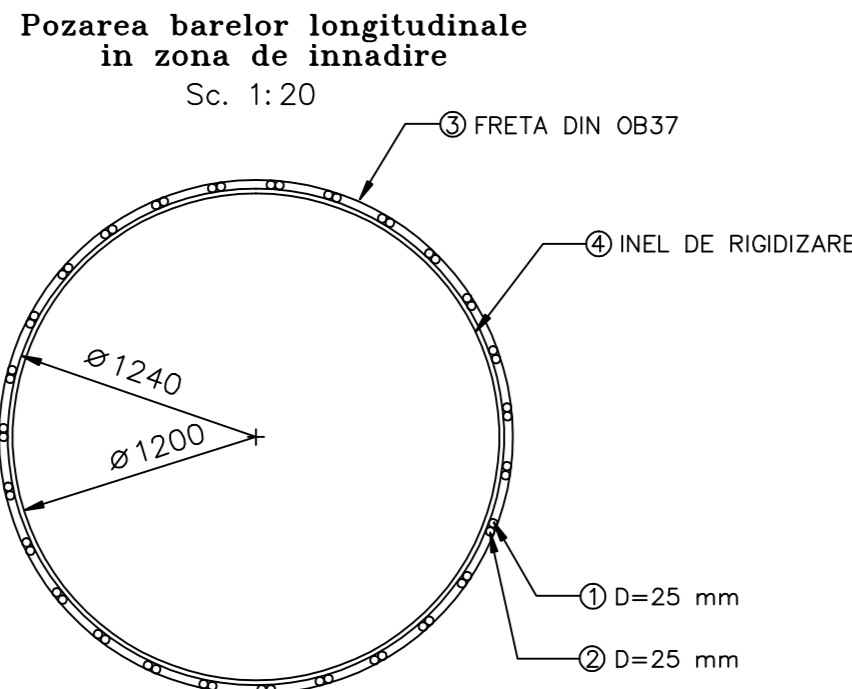
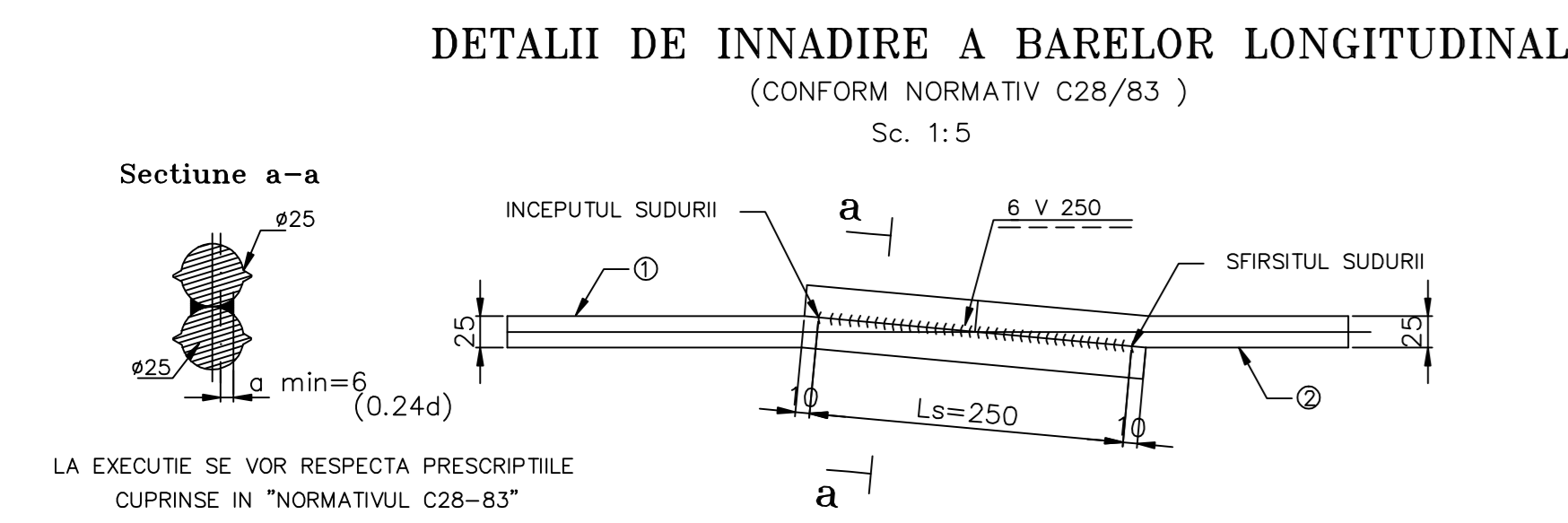
NOTE:

- This drawing was prepared according to the provisions SR EN 1536:2011 "Special geotechnical works. Drilled piles".
- The shuttering plan EA5101E16BBPV03920031, EA5101E16BBPV03920041 was taken into consideration.
- During the works, the provisions in the Technical Specifications will be strictly observed and the drilling and concreting sheets will be prepared accordingly.
- During the works, the provisions of the following norms will be strictly observed: "Norm for concrete manufacturing and concrete, reinforced concrete and pre-stressed concrete works. Part 1: Concrete manufacturing", indicative NE 012/1-2007 and "Norm for concrete manufacturing and concrete, reinforced concrete and pre-stressed concrete works. Part 2: Concrete works", indicative NE 012/2-2010; the work quality control and acceptance will comply with norm C56-1985.
- After the excavations for the first column, the geotechnician designer will be called to confirm the nature of the ground encountered in the layer crossed through by the columns up to the foundation level.

EXTRAS DE ARMATURA NECESARA PENTRU ARMAREA UNEI COLOANE Ø1.50, L= 20.00 m

MARCA	DIAM.	NR.BUC.	LUNG.PE BUC	LUNGIMI PE DIAMETRE			
				OB 37	PC 52		
				S255 Ø12	S355 Ø12	S345 Ø20	Ø25
1	25	27	12.00				324.00
2	25	27	10.40				280.80
3	12	1	537.50	537.50			
4	20	15	3.92		15.60	58.80	
5	12	60	0.26		1.6		
6	12	1	1.55		2.9		
7	12	1	2.85				
LUNGIMI TOTALE(m)				537.50	20.10	58.80	604.80
GREUTATE PE ml(kg/m)				0.888	0.888	2.466	3.853
GREUTATE PE DIAM.(kg)				477.30	17.90	145.00	2330.30
GREUTATE TOTALA(kg)							2970.50
Sudura 2%(kg)							59.40
Pierderi 5%(kg)							148.50
GREUTATE TOTALA(kg)							3200.00

TOTAL : 24buc. x 3200.00 kg = 76800kg



MATERIAL METALIC PENTRU UN DOP LA TUBUL DE BETONARE

MARCA	NR. BUC.	DIMENSIUNI	GREUTATE (Kg)
10	1	PLACA D=280 mm, GROS. 15 mm	7.30
11	1	OB 37 Ø20 L=1.20 m	3.00
12	1	OB 37 Ø20 L=0.90 m	2.20
13	1	OB 37 Ø10 L=60.00 m	37.00
GREUTATE TOTALA OL37			7.30
OB37			42.20
SUDURA			0.40

BETON	-	C25/30
CONCRETE	-	S255, S235
ARMATURA	-	S255, S235
REINFORCING BAR	-	10.5cm
ACOPERIRE	-	

Se interzice copierea, difuzarea, imprumutarea sau utilizarea in alte scopuri, fara permisiunea Arax Lider Company ca proprietar al desenului. This drawing is forbidden to be copied, lent or used in other purposes than those previously approved by Arax Lider Company as its owner.

D	C	B	A	Indice	Data	Modificari	Proiectant	Aprobat Consultant	Aprobat CFR	
 GUVERNUL ROMANIEI ROMANIAN GOVERNMENT				PROIECT FINANATAT DE UNIUNEA EUROPEANA EUROPEAN UNION FINANCED PROJECT						
 C.N.C.F. "C.F.R." - S.A.				 CFRR						
CLIENT / CLIENT				 ITALFERR Scott Wilson OBERMEYER TECNIC GRUPPO FERROVIE DELLO STATO PLANEN + BERATEN GmbH Consulting Engineers						
CONSULTANT / CONSULTANT									Data	Semnatura
Aprobat	Sef proiect		R. Liuzza							
Aprobat	Coordonator Sectiune 1		C. Gambelli							
Verificat	Expert Cheie		V. Kallidromitis							
SUBCONTRACTANT / SUBCONTRACTOR										
Aprobat	Responsabil Subcontractant		A.Stanciu - Dinulescu		02.2012					
Intocmit	Proiectant		Maria Campan		02.2012					
Reabilitarea liniei de cale ferata Braşov - Simeria, parte componentă a coridorului IV Pan European, pentru circulaţia trenurilor cu viteză maximă de 160 km/h, Tronsoanel: Braşov - Sighişoara Rehabilitation of the railway line Braşov - Simeria, component Part of the IV Pan-European Corridor, for the trains circulation with maximum speed of 160 km/h, Section : Braşov - Sighişoara									Project/Project 2004/RO/16/PA/003 Faza / Phase: P.Th. / T.D. D.E. / E.D.	
Denumire desen / Drawing Title : INTERVAL / SECTION ARCHITA - VANATORI POD GZCBCJ Km 266+382.312 - D= 35.00m Plan armare coloana L=20.00m Column reinforcement plane										
Modificari / Codification System				Scara / Scale 1:50		LOT / LOT		Nr. / No 01 / 01		
E A 5 1 0 1 E 1 6 B C P V 0 3 9 2 0 0 6 0										