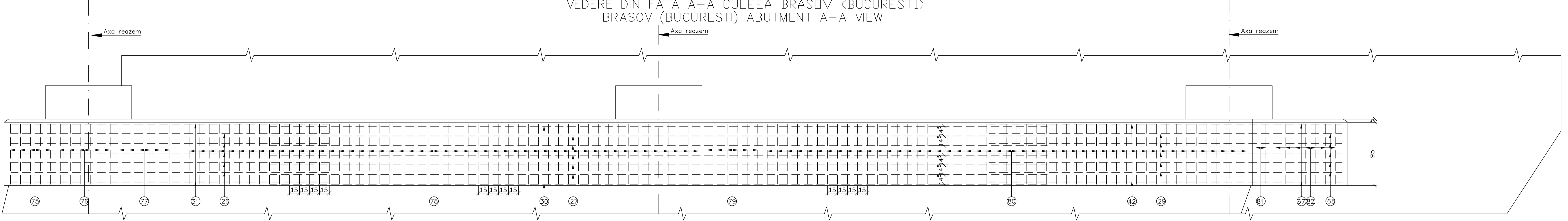
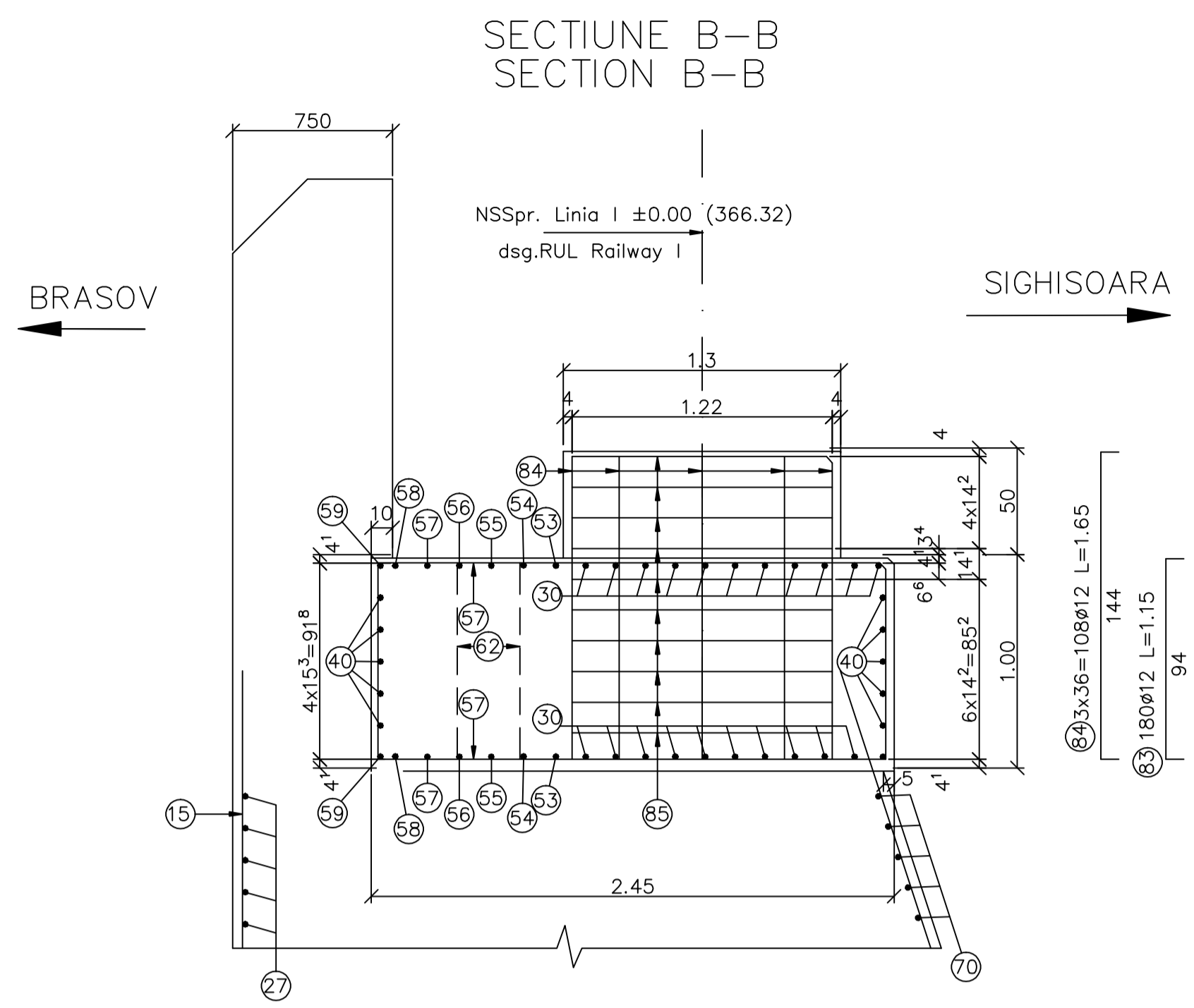


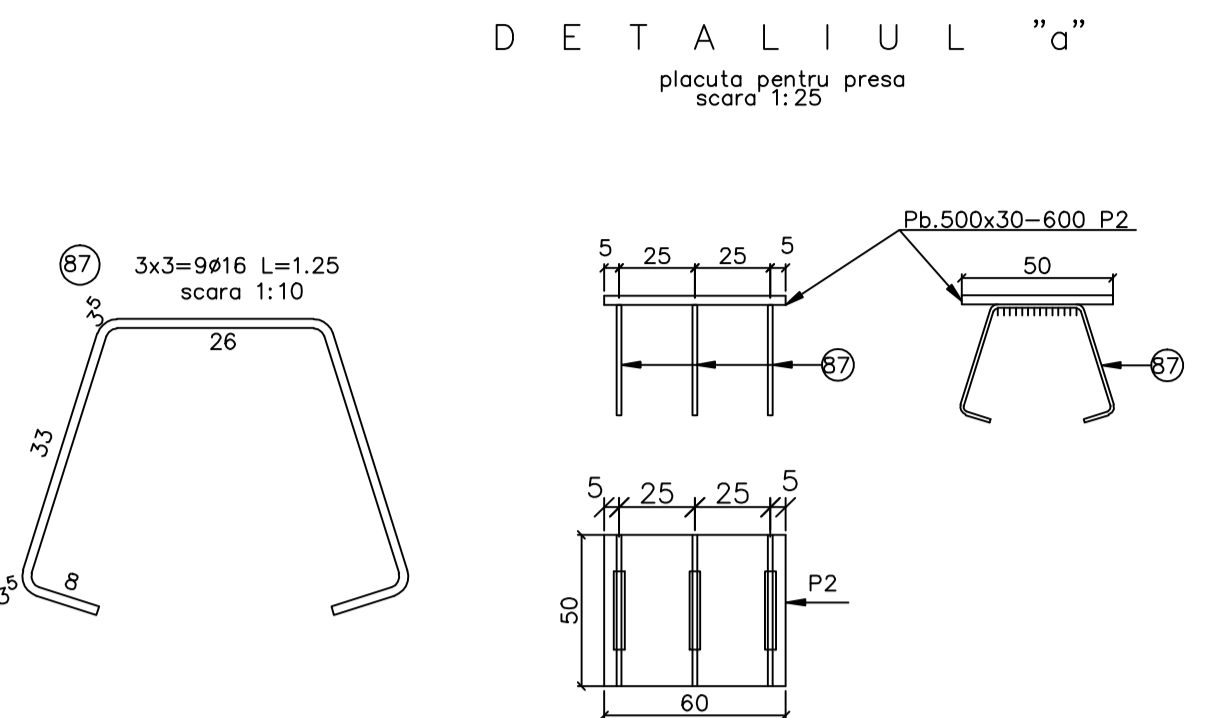
ARMAREA CUZINETILOR SI A BANCHEI CUZINETILOR/REINFORCEMENT RAFT ELEVATION FOUNDATION

VEDERE DIN FATA A-A CULEEA BRASOV (BUCURESTI)
BRASOV (BUCURESTI) ABUTMENT A-A VIEW



EXTRAS DE ARMATURA
MEASURING OF THE REINFORCEMENTS

Elevanta	Nr. Buc.	Lungime /m	LUNGIME/Ø			
			Ø12	Ø14	Ø22	
27	16	5	12.00		60.00	
28	16	5	4.00		20.00	
29	16	5	4.00		20.00	
30	22	2	12.00		284.00	
31	22	2	4.35		8.70	
32	22	2	4.50		9.00	
33	22	2	4.50		9.00	
34	22	2	4.70		9.40	
35	22	2	4.85		9.70	
36	22	2	5.00		10.00	
37	22	2	5.10		10.20	
38	22	2	5.20		10.40	
39	22	2	4.85		9.70	
40	22	2	4.35		8.70	
41	22	2	4.50		9.00	
42	22	2	4.20		8.40	
43	22	2	4.35		8.70	
44	22	2	4.50		9.00	
45	22	2	4.65		9.30	
46	22	2	4.80		9.60	
47	22	2	4.95		9.90	
48	22	2	5.10		10.20	
49	22	2	5.25		10.50	
50	22	2	5.40		10.80	
51	22	2	5.50		11.00	
52	22	2	5.40		10.80	
53	22	2	1.40		2.80	
54	22	2	4.00		8.00	
55	22	2	1.70		3.40	
56	22	2	1.40		2.80	
57	22	2	1.20		2.40	
58	22	2	0.90		1.80	
59	22	2	1.40		2.80	
60	22	4	8.15		32.60	
61	22	4	6.90		27.60	
62	22	4	5.60		22.40	
63	22	4	4.40		17.60	
64	22	4	3.40		13.60	
65	22	4	2.15		8.60	
66	22	4	0.90		3.60	
67	22	2	5.15		10.30	
68	16	5	4.70	23.50	37.20	
69	22	4	9.30		37.20	
70	16	10	9.00		90.00	
71	22	2	2.95		4.90	
72	16	5	5.55	12.75	13.30	
73	22	2	6.65		31.25	
74	16	5	6.25		20.00	
75	22	5	4.00		20.00	
76	22	5	8.30		37.20	
77	22	5	6.20		31.00	
78	22	5	6.00		30.00	
79	22	5	6.75		33.75	
80	22	4	5.95		23.80	
81	22	4	4.30		17.20	
82	22	4	6.60		26.40	
83	12	180	1.65	297.00		
84	12	108	1.15	124.20		
85	12	33	19.95	658.35		
86	12	33	4.55	150.15		
87	16	9	1.25	11.25		
			Lungime/Ø	1229.70	268.75	1682.05
			Creatare/Ø	0.868	1.708	2.964
			Creatare/Ø	1095	325	5020
			TOTAL	kg	6440	
			Piercedri	SW	325	
			TOTAL GENERAL	kg	6765	



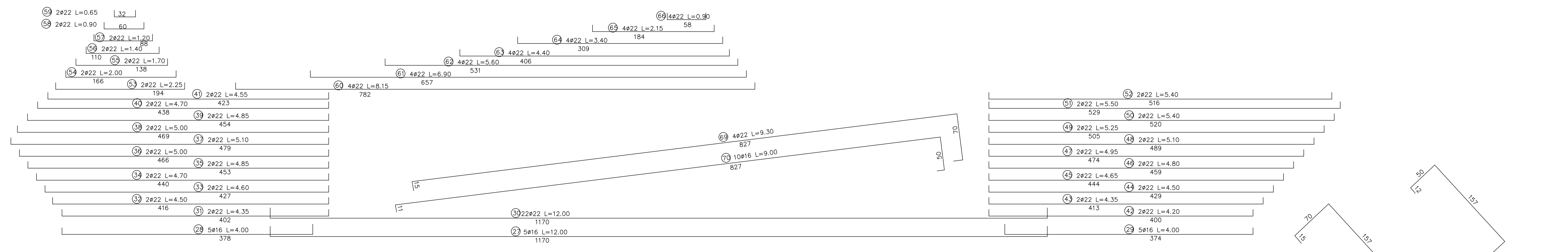
PLACUTE PENTRU PRESE

Denumirea	Profesionala	Buc.	Section	Lungime	U.P.R.	Sectione/Section
P1	Placuta	3	500x30	600	117.80	58.90 177
						Total serial 177
						Sudura 2% 4
						Welding 2% 4
						TOTAL kg 181

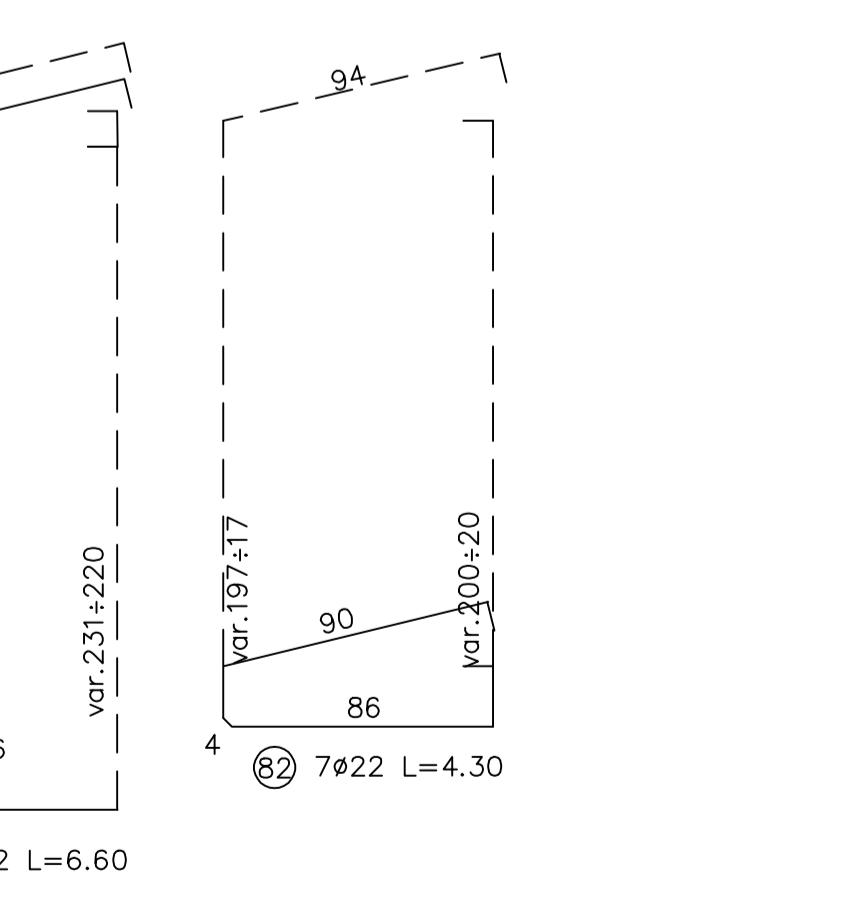
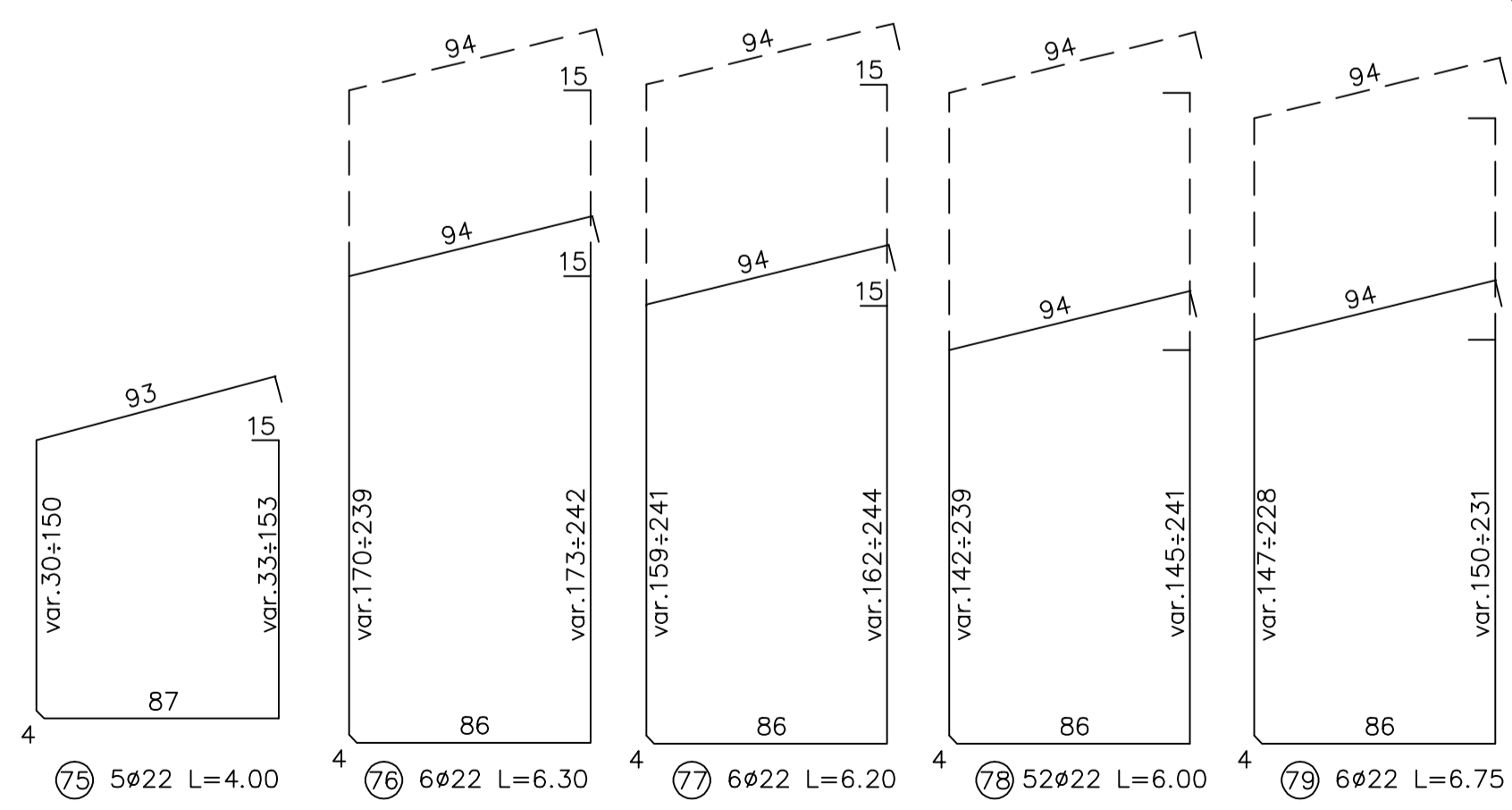
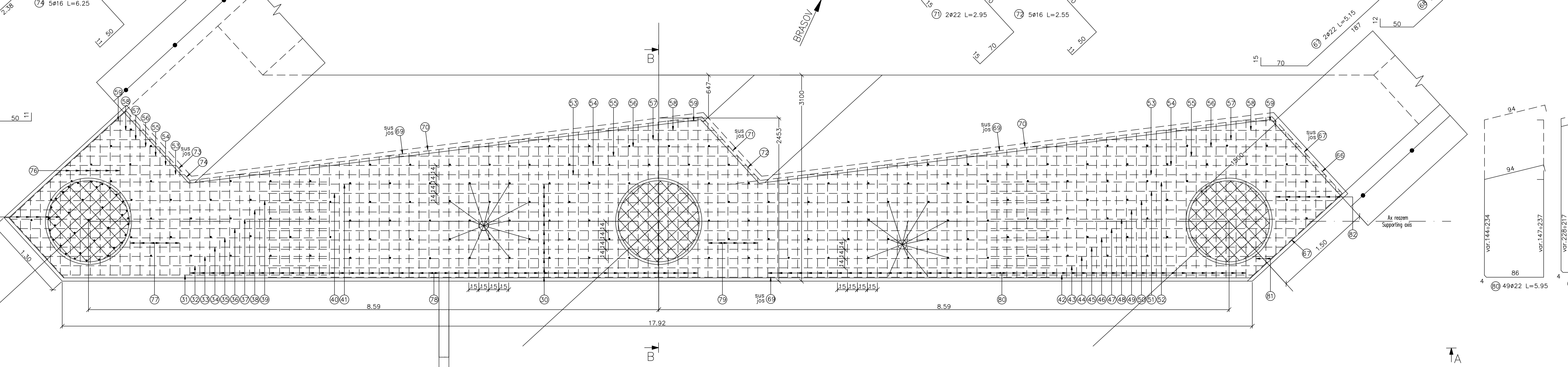
Beton: - C35/45 in cuzineti si in bancaeta cuzinetilor
in the cushions and cushions bench
Concrete: - C35/45
Armatura: - S335S345
Reinforcement: - S335S345
Strat de acoperire: - min. 4cm expunere in aer/air exposed
Concrete cover

EXTRAS DE ARMATURA
PENTRU O PLASA

MARCA	DIAMETRU	Ø	BUC	LUNGIME/Ø
a	12	4	0.65	2.25
b	12	4	1.00	4.00
c	12	4	1.30	5.20
d	12	4	1.40	5.60
e	12	2	1.45	2.90
			LUNGIMI PE DIAMETRU (m)	19.95



VEDERE IN PLAN H-H/H-H VIEW



Se interzice copierea, difuzarea, imprumutarea sau utilizarea in alte scopuri, fara permisiunea Arax Lider Company ca proprietar al desenului.
This drawing is forbidden to be copied, lent or used in other purposes than those previously approved by Arax Lider Company as its owner.

D

C

B

A

Indice	Data	Modificari	Proiectant	Aprobat	Aprobat CFR
		Modificari	Designer	Approved Consultant	Approved CFR

GUVERNUL ROMANIEI / ROMANIAN GOVERNMENT

PROIECT FINANȚAT DE UNIUNEA EUROPEA / EUROPEAN UNION FINANCED PROJECT

C.F.R. / C.N.C.F. "C.F.R." - S.A.

CLIENT / CLIENT

ITALFER / Scot Wilson / OBERMEYER / TECNIC

CONSULTANT / CONSULTANT

Actiune	Responsabil	Data	Semnatura
Approved	Project manager	01.2012	
Approved	Coordinator Site / Ins. 1	01.2012	
Approved	Section / Coordinator	01.2012	
Verificat	Expert / Check	01.2012	

SUBCONTRACTANT / SUBCONTRACTOR

Actiune	Responsabil	Data	Semnatura
Approved	Responsible / Subcontractant	01.2012	
Approved	Project manager	01.2012	
Approved	Designer	01.2012	

Reabilitarea liniei de cale ferata Brasov - Simeria, parte componenta a coridorului IV Pan European, pentru circulatia trenurilor cu viteza maxima de 160 km/h, Tronsoanel : Brasov - Sighisoreana

Rehabilitation of the railway line Brasov - Simeria, component Part of the IV Pan-European Corridor, for the trains circulation with maximum speed of 160 km/h, Section : Brasov - Sighisoreana

Denumire desen / Drawing Title : Interval Statio Albesti

POD km 277+798.279 - G.Z.C.J.C.B. D=38.00m

PLAN ARMARE CUZINET - CULEEA BRASOV

BRIDGE km 277+798.279 - D=38.00m

REINFORCEMENT DRAWING CUSHION - BRASOV ABUTMENT

Codificare / Codification System	Scara / Scale	LOT / LOT	Nr. / No
EAS1 01 E 10 BC PV 04 4 2 0 0 7 0	1:25	LOT / LOT	01 / 01

594x1540