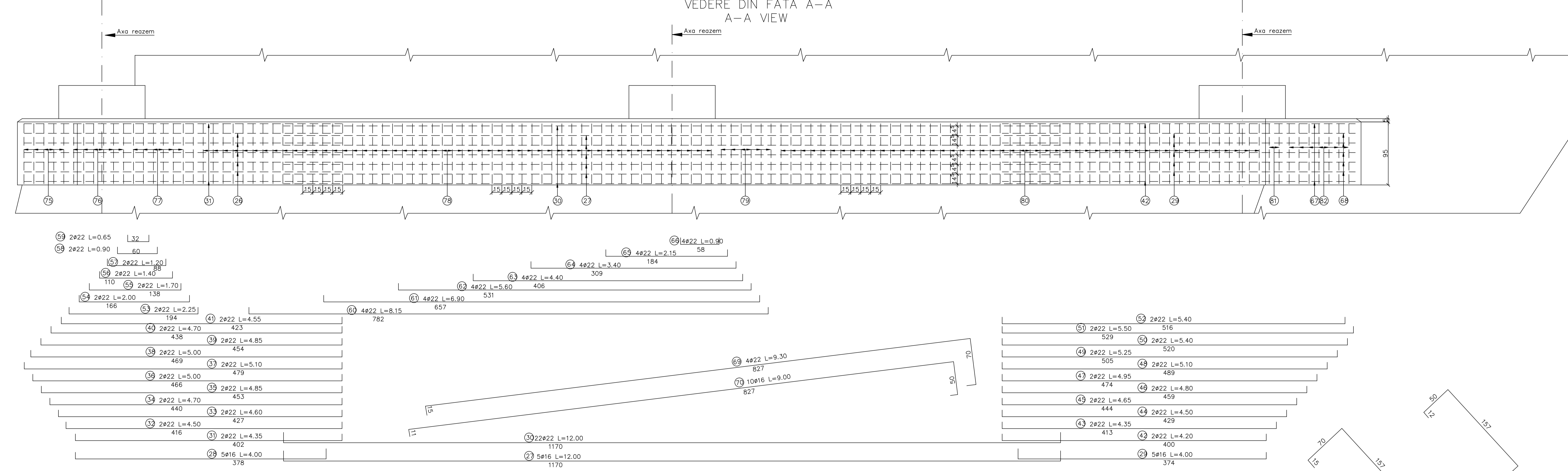
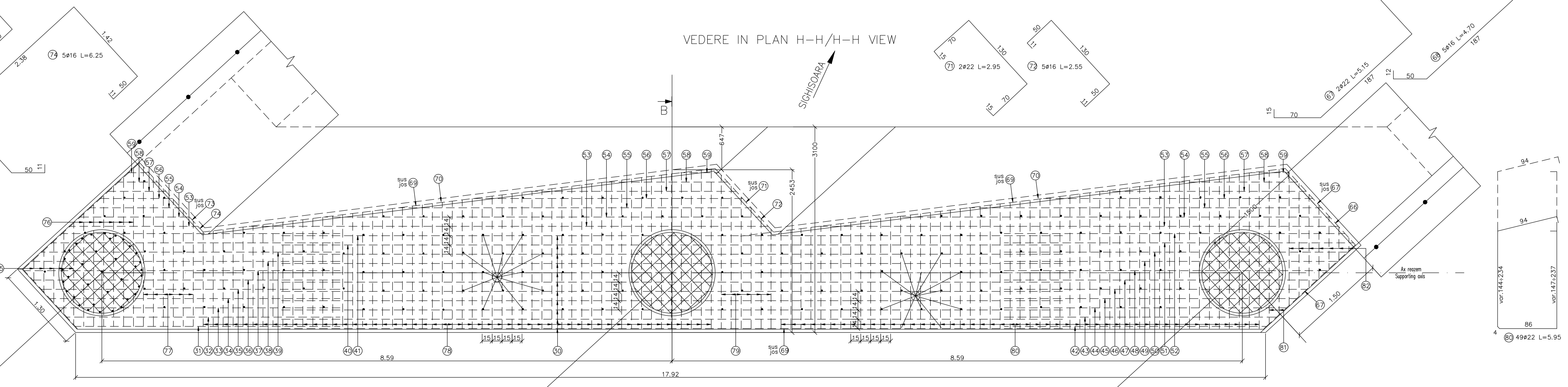


ARMAREA CUZINETILOR SI A BANCHETEI CUZINETILOR/CUSHION REINFORCEMENT

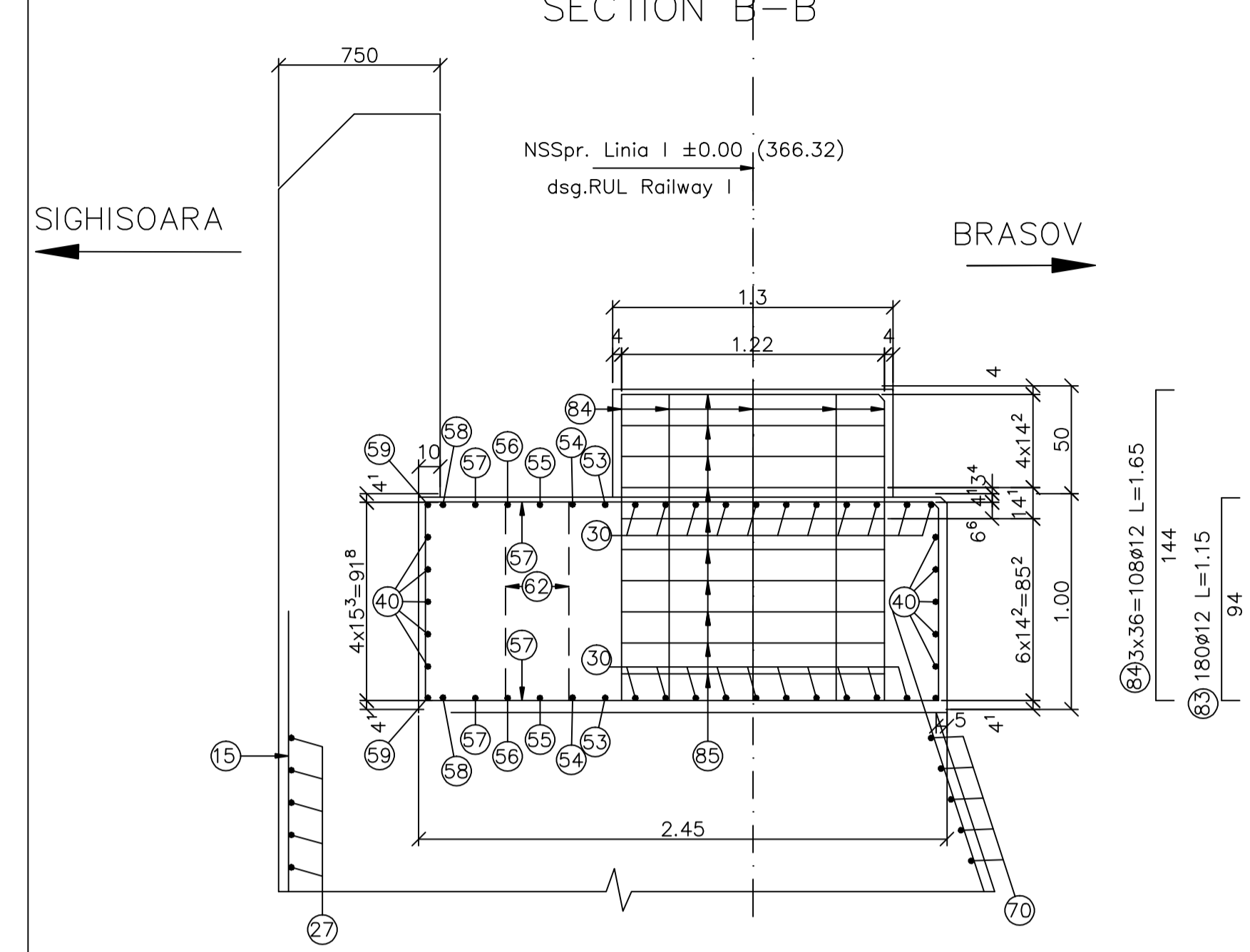
VEDERE DIN FATA A-A
A-A VIEW



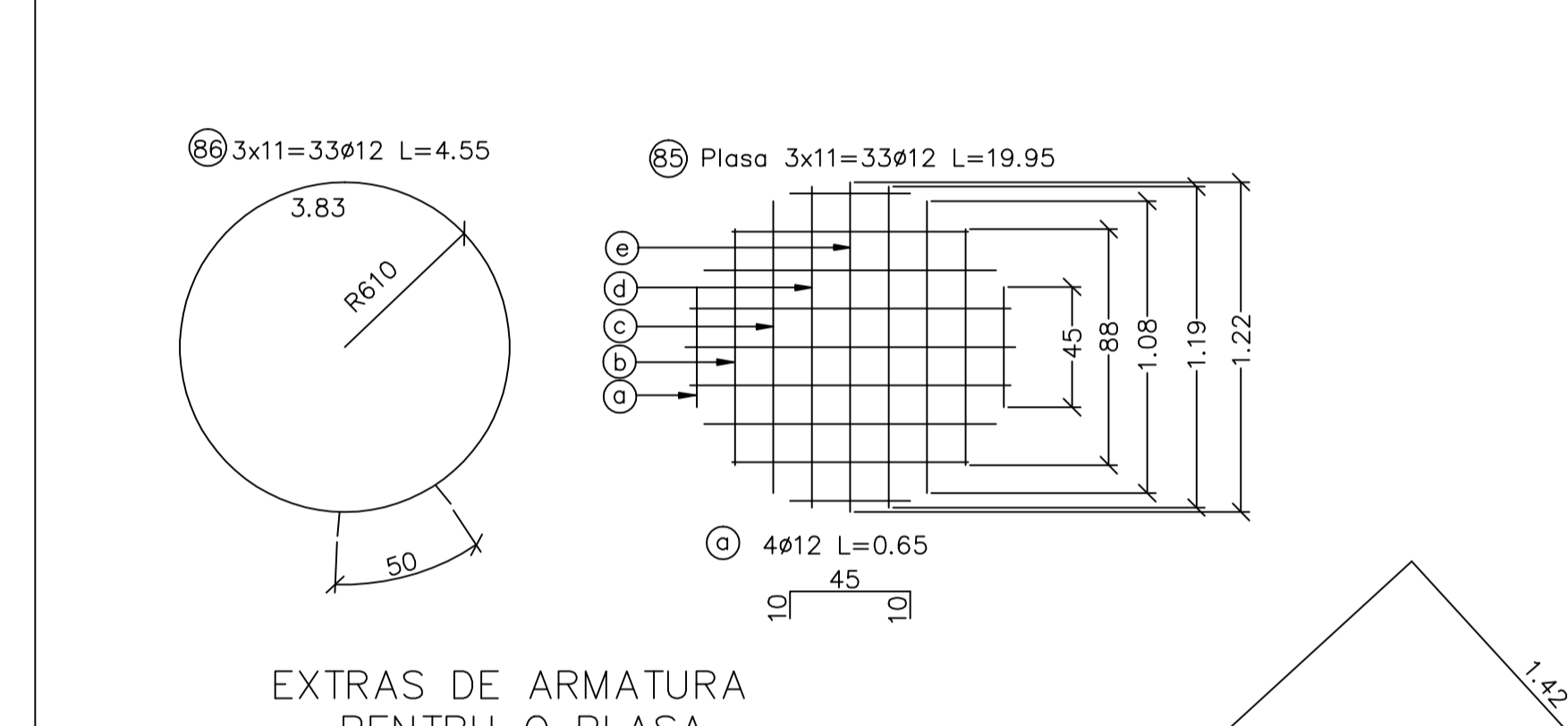
VEDERE IN PLAN H-H/H-H VIEW



SECTIUNE B-B
SECTION B-B



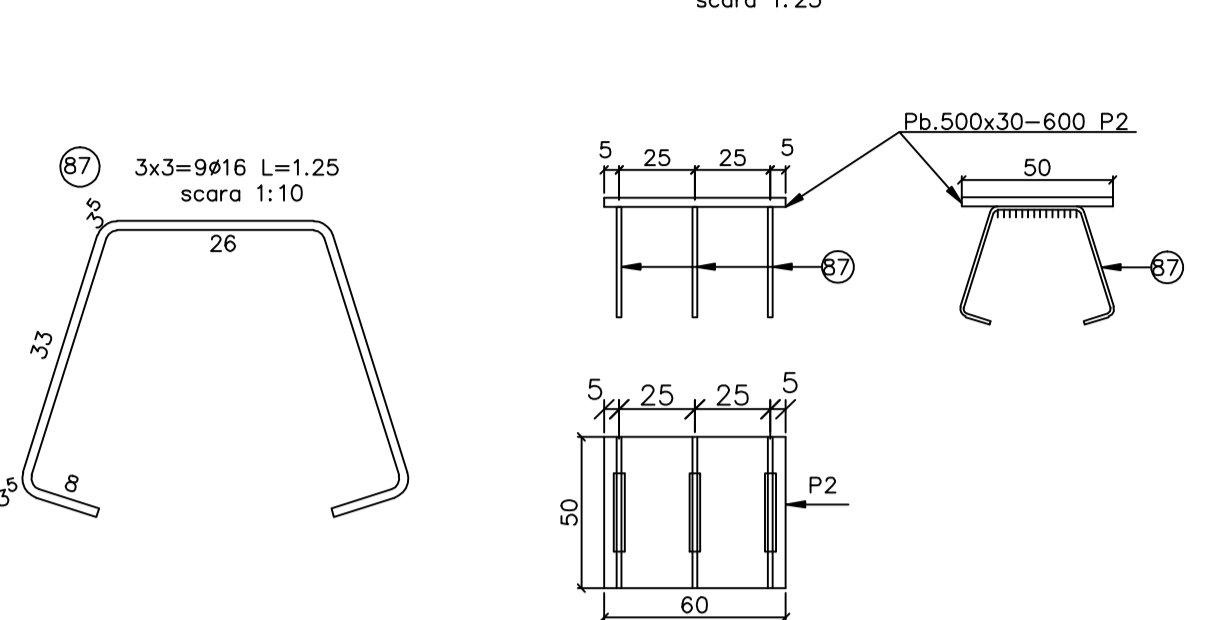
VEDERE DIN FATA A-A
A-A VIEW



EXTRAS DE ARMATURA
MEASURING OF THE REINFORCEMENTS

Element	Nr. Buc.	Lungime /m	LUNGIME/Ø		
			Ø12	Ø14	Ø22
27	16	5	12.00		60.00
28	16	5	4.00		20.00
29	16	5	4.00		20.00
30	22	2	12.00		24.00
31	22	2	4.35		8.70
32	22	2	4.50		9.00
33	22	2	4.60		9.20
34	22	2	4.70		9.40
35	22	2	4.85		9.70
36	22	2	5.00		10.00
37	22	2	5.10		10.20
38	22	2	5.20		10.40
39	22	2	4.85		9.70
40	22	2	4.35		8.70
41	22	2	4.25		8.50
42	22	2	4.20		8.40
43	22	2	4.35		8.70
44	22	2	4.50		9.00
45	22	2	4.65		9.30
46	22	2	4.80		9.60
47	22	2	4.95		9.90
48	22	2	5.10		10.20
49	22	2	5.25		10.50
50	22	2	5.40		10.80
51	22	2	5.50		11.00
52	22	2	5.40		10.80
53	22	2	1.40		2.80
54	22	2	4.00		8.00
55	22	2	1.70		3.40
56	22	2	1.40		2.80
57	22	2	1.20		2.40
58	22	2	0.90		1.80
59	22	2	1.40		2.80
60	22	4	8.15		32.60
61	22	4	6.90		27.60
62	22	4	5.60		22.40
63	22	4	4.40		17.60
64	24	4	3.40		13.60
65	22	4	2.15		8.60
66	22	4	0.90		3.60
67	22	2	5.15		10.30
68	16	5	4.70	23.50	37.20
69	22	4	9.30		37.20
70	16	10	9.00	90.00	4.90
71	22	2	2.95		5.90
72	16	5	5.55	12.75	4.90
73	22	2	6.65		13.30
74	16	5	6.25	31.25	
75	22	5	4.00		20.00
76	16	5	8.30		37.20
77	22	5	6.20		31.00
78	22	5	6.00		30.00
79	22	5	6.75		33.75
80	22	4	5.95		23.80
81	22	4	4.30		17.20
82	22	4	6.60		26.40
83	12	180	1.65	297.00	
84	12	108	1.15	124.20	
85	12	33	19.95	658.35	
86	12	33	4.55	150.15	
87	16	9	1.25	11.25	
Lungime/Ø			1229.70	288.75	1682.05
Creutari/Ø			0.868	1.708	2.984
Creutari/Ø			1095	325	5020
TOTAL					6440
Piercedi /Ø					325
TOTAL GENERAL					6765

DETALIUL "a"



PLACUTE PENTRU PRESE

Denumirea	Buc.	Section	Lungime	Lungime/Section	kg/Buc	kg
P1 Placuta	3	500x30	600	117.80	58.90	177
Total opti						177
Sudura 2x						4
Welding 2x						4
TOTAL						181

Beton: - C35/45 in cuzineti si in bancheta cuzinetilor
 Concrete: - in the cushions and cushions bench
 Armatura: - S335S345
 Reinforcement:
 Strat de acoperire: - min. 4cm expunere in aer/air exposed
 Concrete cover

Se interzice copierea, difuzarea, imprumutarea sau utilizarea in alte scopuri, fara permisiunea Arax Lider Company ca proprietar al desenului.
 This drawing is forbidden to be copied, lent or used in other purposes than those previously approved by Arax Lider Company as its owner.

Indice	Data	Modificari	Proiectant	Approbat	Approbat CFR

GUVERNUL ROMANIEI ROMANIAN GOVERNMENT
 PROIECT FINANȚAT DE UNIUNEA EUROPEA EUROPEAN UNION FINANCED PROJECT

CFR C.N.C.F. "C.F.R." - S.A.
 CLIENT / CLIENT

ITALFER
 OBERMEYER
 TECNIC
 Consulting Engineers

CONSULTANT / CONSULTANT	Date	Signature
Approved: R. Lizza	01.2012	[Signature]
Approved: C. Gambelli	01.2012	[Signature]
Checked: V. Kallidromitis	01.2012	[Signature]

SUBCONTRACTANT / SUBCONTRACTOR	Date	Signature
Approved: A. Drulescu Standu	01.2012	[Signature]
Approved: Maria Campan	01.2012	[Signature]

Reabilitarea liniei de cale ferata Brasov - Simeria, parte componenta a coridorului IV Pan European, pentru circulatia trenurilor cu viteza maxima de 160 km/h, Tronsoanel : Brasov - Sighisoara
 Rehabilitation of the railway line Brasov - Simeria, component Part of the IV Pan-European Corridor, for the trains circulation with maximum speed of 160 km/h, Section : Brasov - Sighisoara
 Project/Project: 2004/R016/P1A003
 Faza / Phase: P.Th. / T.D.

Denumire desen / Drawing Title: Interval Statio Albesti
 POD km 277+798.279 - G.Z.C.J.C.B. D=38.00m
 PLAN ARMARE CUZINET-CULEEA SIGHISOARA
 BRIDGE km 277+798.279 - D=38.00m
 REINFORCEMENT DRAWING CUSHION-SIGHISOARA ABUTMENT

Codificare / Codification System	Scara / Scale	LOT / LOT	Nr. / No
EA61 01 E 10 BC PV 04 4 2 0 0 9 0	1:25		01/01