

SECTIUNE LONGITUDINALA A-A / LONGITUDINAL SECTION A-A

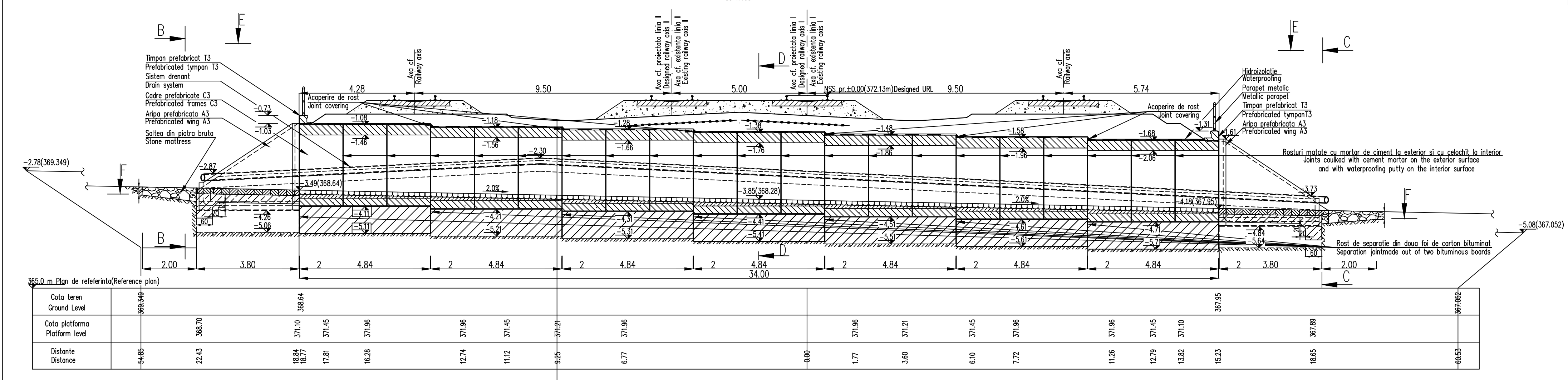
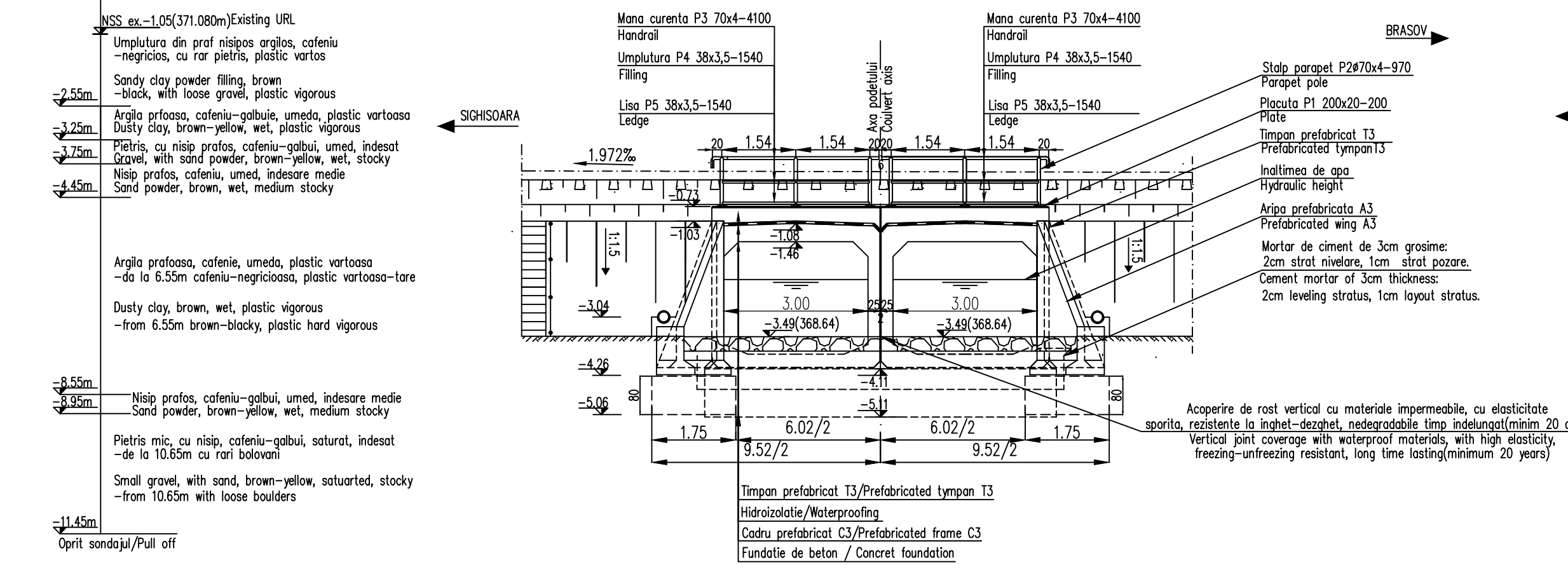


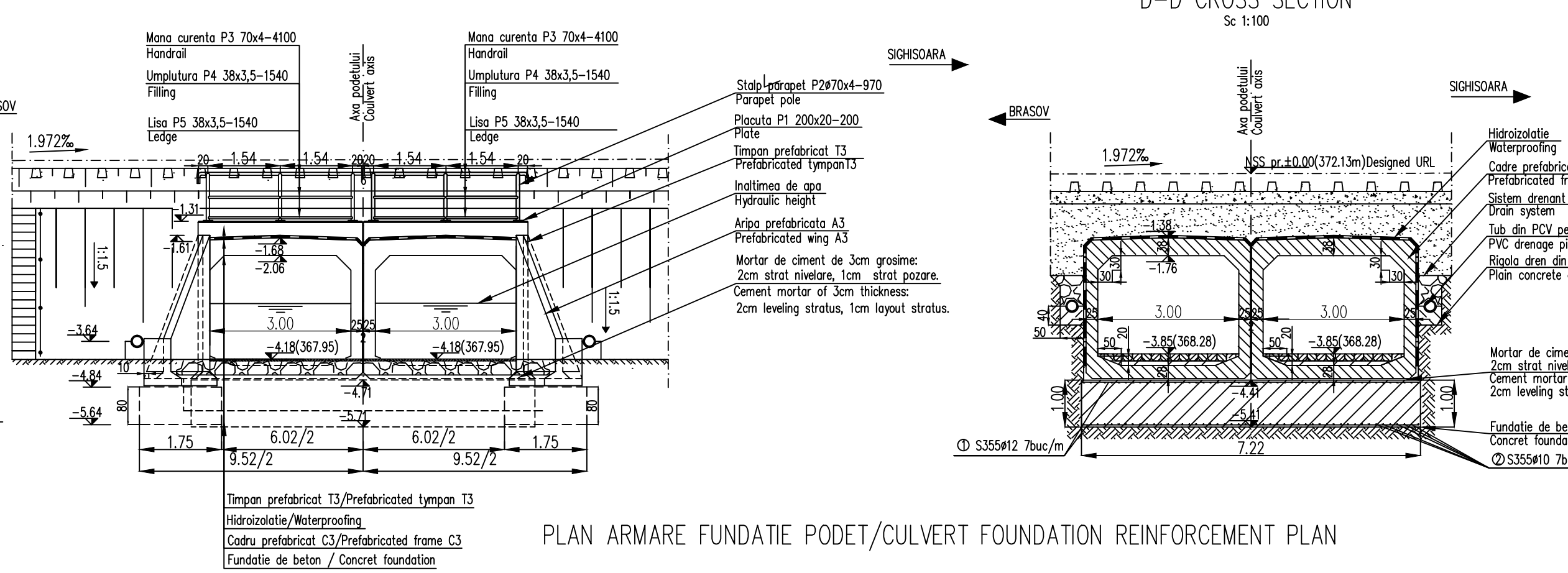
Table with 2 columns: Cota teren (Ground level) and Cota platforma (Platform level). It lists distances and corresponding elevations.

SONDAJ/DRILL nr. 3F07
km ex.289+342.59

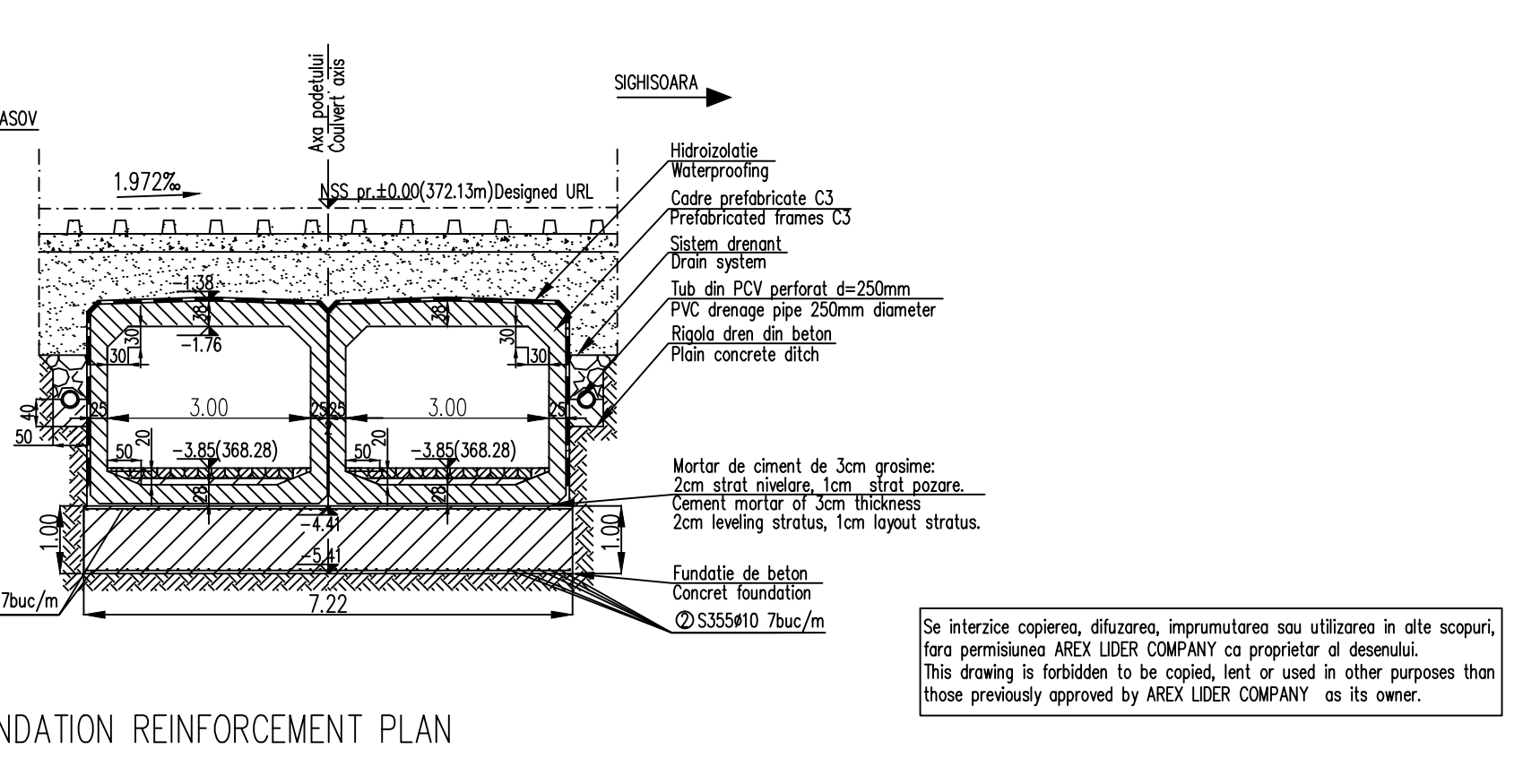
VEDERE DIN AMONTE B-B
B-B UPSTREAM VIEW



VEDERE DIN AVAL C-C
C-C DOWNSTREAM VIEW

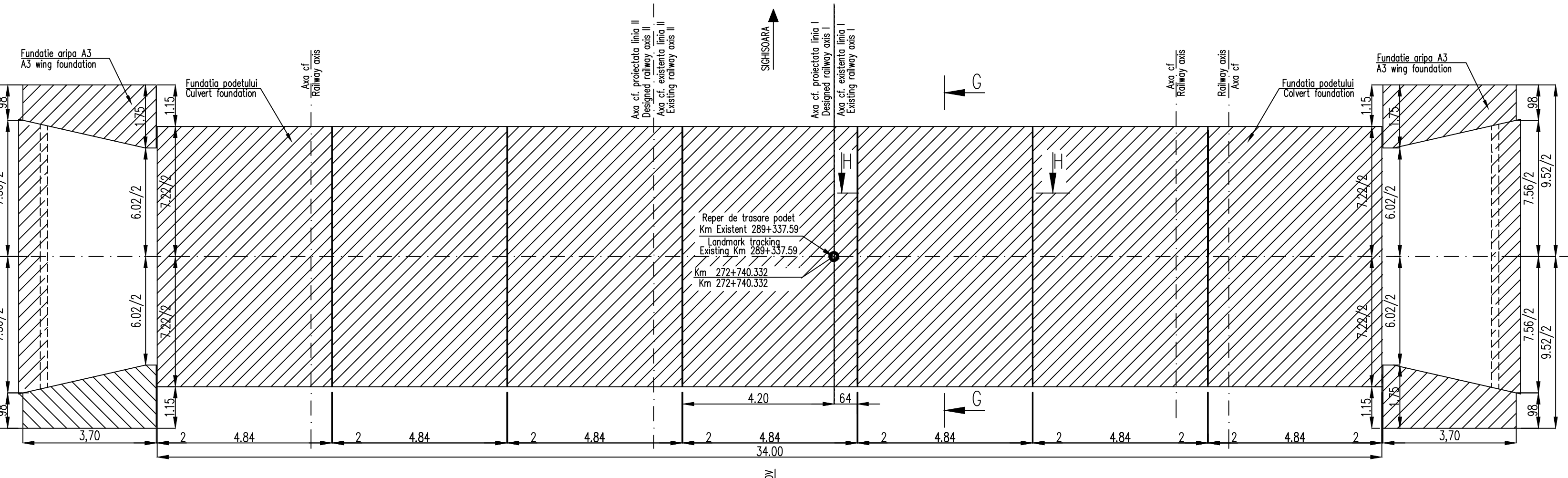


SECTIUNE TRANSVERSALA D-D
D-D CROSS SECTION

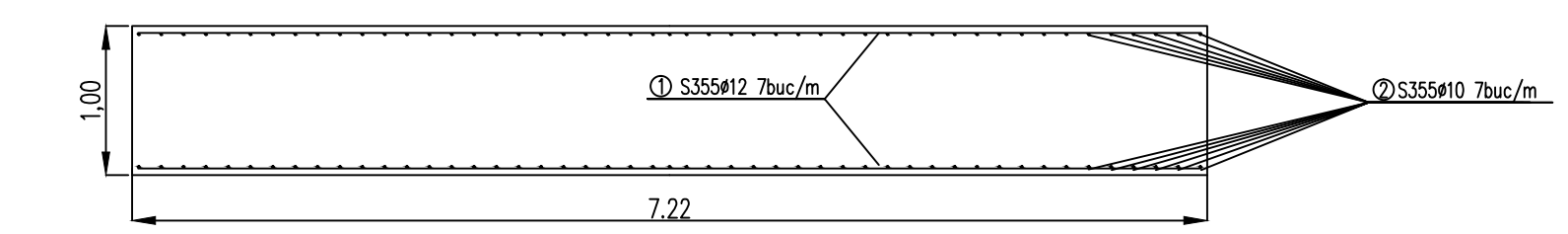


PLAN ARMARE FUNDATIE PODET/CULVERT FOUNDATION REINFORCEMENT PLAN

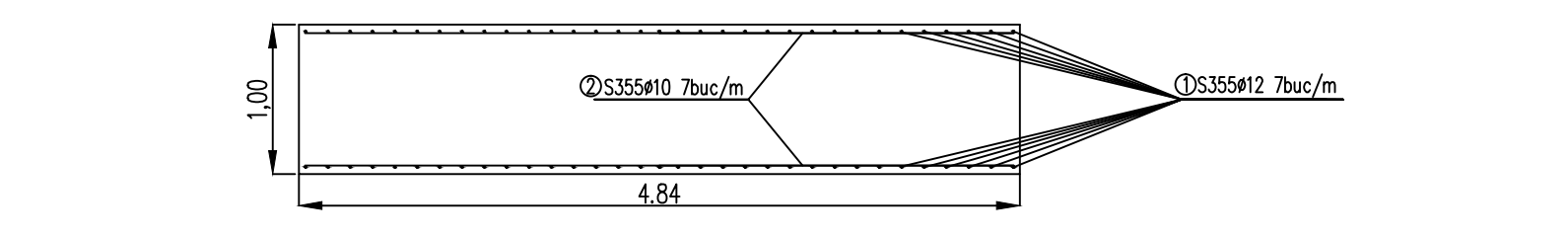
PLAN FUNDATII F-F/F-F FOUNDATIONS PLAN



Sectiune G-G/G-G Section



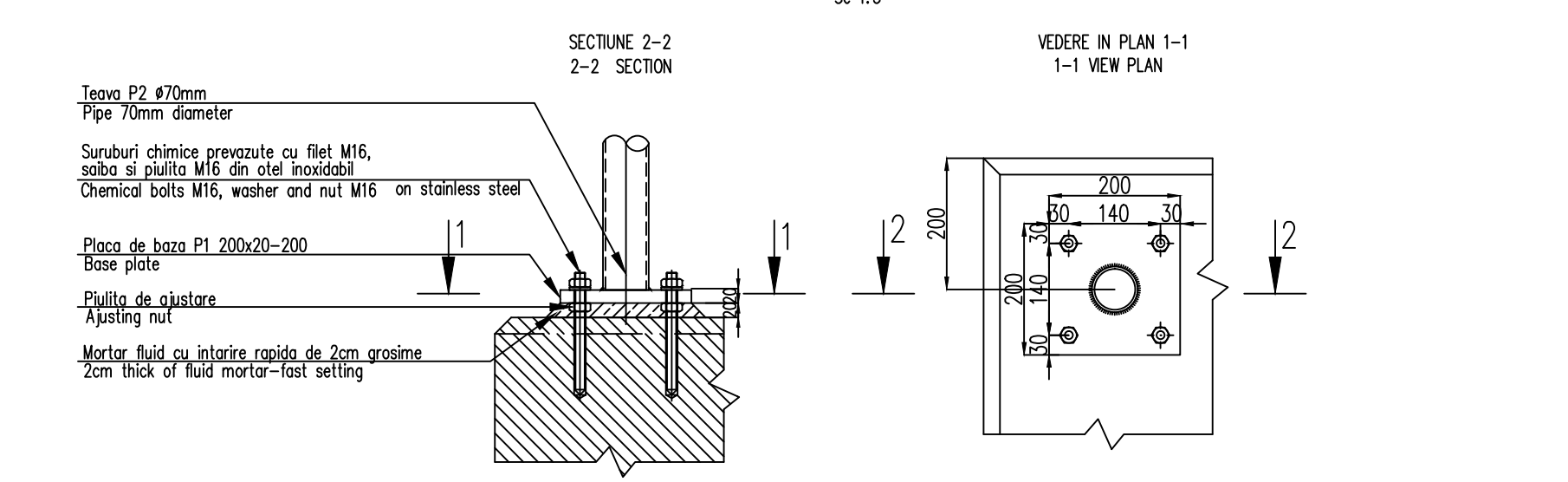
Sectiune H-H/H-H Section



EXTRAS DE ARMATURA FUNDATIE PODET
CULVERT FOUNDATIONS REINFORCING BARS

Table with columns: Marca Mark, # Buc Buc, Lung/Long, Lungimi totale pe diametre Total length, #12 #10, #8, #6, #4. It lists reinforcement bar specifications.

DETALIU PENTRU PRINDEREA PLACUTELOR P1 DE TIMPAN
DETAIL TO JOIN THE SLABS P1 AT THE TYMPANUM



MATERIAL METALIC PENTRU CONFECTIONAREA PARAPETULUI PODETULUI
THE METALLIC MATERIAL TO BUILD PARAPET OF CULVERT

Table with columns: Poz. Poz., Denumirea materialului Denomination of material, Buc. Buc., Sectiune Section, Lung Long, Lungimi Section, kg. It lists materials for the parapet.

NOTA:

- 1. Prezenta plan s-a intocmit pe baza urmatoarelor date: -plan de situatie -profil in lung -profil transversal -studiu geotehnic Nr. 4201/1508/Noiembrie 2003

NOTE:

- 1. This plan has been drawn up based on the following data: -lay-out plan -longitudinal profile -cross-section profile -geotechnical study No. 4201/1508/November 2003

DATE HIDRAULICE
1 FIR 2 FIE
h=1.19m h=1.19m
P=5.38m P=10.76m
A=3.57m² A=7.14m²
V=3.41mc/s V=3.41mc/s

HYDRAULIC DATA
1 LINE 2 LINES
h=1.19m h=1.19m
P=5.38m P=10.76m
A=3.57m² A=7.14m²
V=3.41mc/s V=3.41mc/s

NOTA
-Numar de elemente prefabricate
-Cadre prefabricate C3: -2x12=42buc.
-Timpane prefabricate T3: -2x2=4buc.
-Aripi prefabricate A3: -4buc.

NOTE
-Number of precast sections:
-Prefabricated Frame C3: -2x12=42pcs.
-Prefabricated tympan T3: -2x2=4pcs.
-Prefabricated wings A3: -4pcs.

LEGENDA BETOANELOR CONCRETE LIST

- Beton armat in elementele prefabricate Reinforced concrete in the prefabricated elements C3/A5-CEM II/A-S 32.5-(NF)-A/C=0.50-Dmax 220 0.20

Approval table with columns: D, C, B, A, Index, Date, Date, Date, Date, Date. It lists project milestones and approvals.

Logo of the Romanian Government and the European Union.

Logo of C.N.C.F. "C.F.R." - S.A.

CLIENT / CLIENT

Logos of consulting firms: ITALFERR, Scott Wilson, OBERMEYER PLANEN + BERATEN GmbH, and TECNIC Consulting Engineers.

CONSULTANT / CONSULTANT

Table with columns: Date, Date, Date, Date, Date, Date. It lists consultant details and signatures.

SUBCONTRACTANT / SUBCONTRACTOR

Table with columns: Date, Date, Date, Date, Date, Date. It lists subcontractant details and signatures.

Reabilitarea liniei de cale ferata Braşov - Simeria, parte componentă a coridorului IV Pan-European, pentru circulaţia trenurilor cu viteză maximă de 160 km/h, Tronsonul / Braşov - Sighişoara

Table with columns: Codificare / Codification System, Scara / Scale, LOT / LOT, Nr. / No. It lists project identification and numbering.