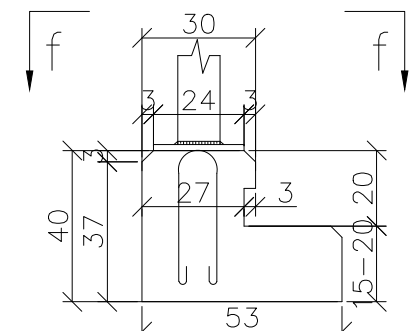
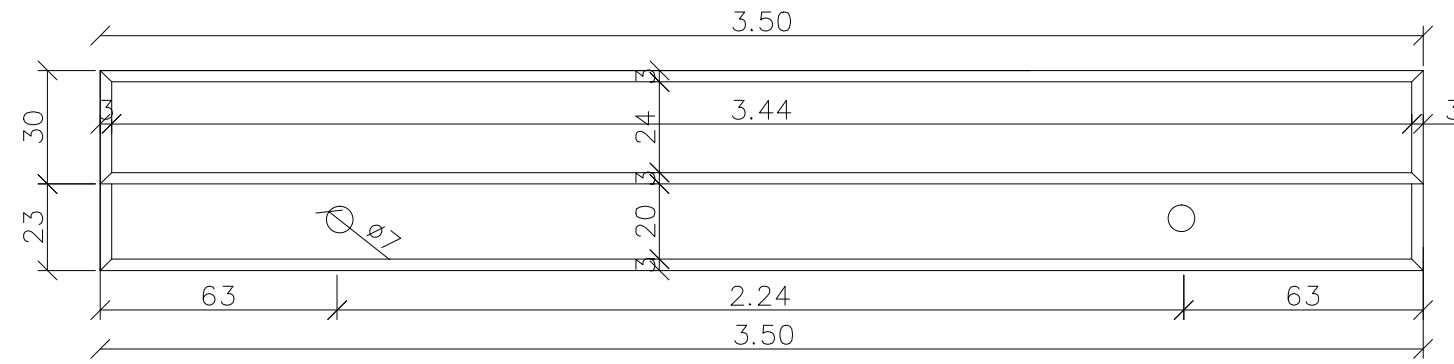


VEDERE e-e / VIEW e-e



VEDERE f-f / VIEW f-f



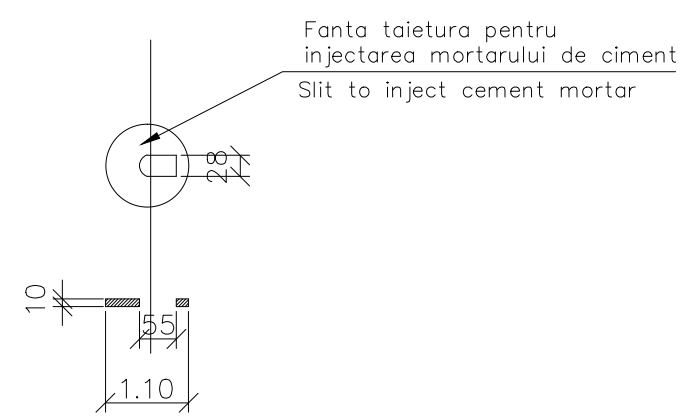
CLASA DE DURABILITATE/CLASS DURABILITY: D32/45a(XC4+XF3+XA1)
 ACOPERIRE/COVERAGE: 4 cm S4(XC4+XF3+XA1) pentru o durata de
 viata de 50 ani/for a life duration of 50 years
 OTEL BETON/CONCRETE STEEL - S255
 BETON/CONCRETE - C 35/45

CLASA DE PRECIZIE/CLASS PRECISION = 7
 CONFORM/ACCORDING SR EN 13369-89

CARACTERISTICILE UNUI TIMPAN PREFABRICAT T3
 CHARACTERISTICS OF A PRECAST TYMPAN T3

Beton Concrete	0.60m ³
Armatura (S255) Reinforcement (S255)	50.00kg
Cofraj Shuttering	6.55m ²
Greutate Weight	1.40t

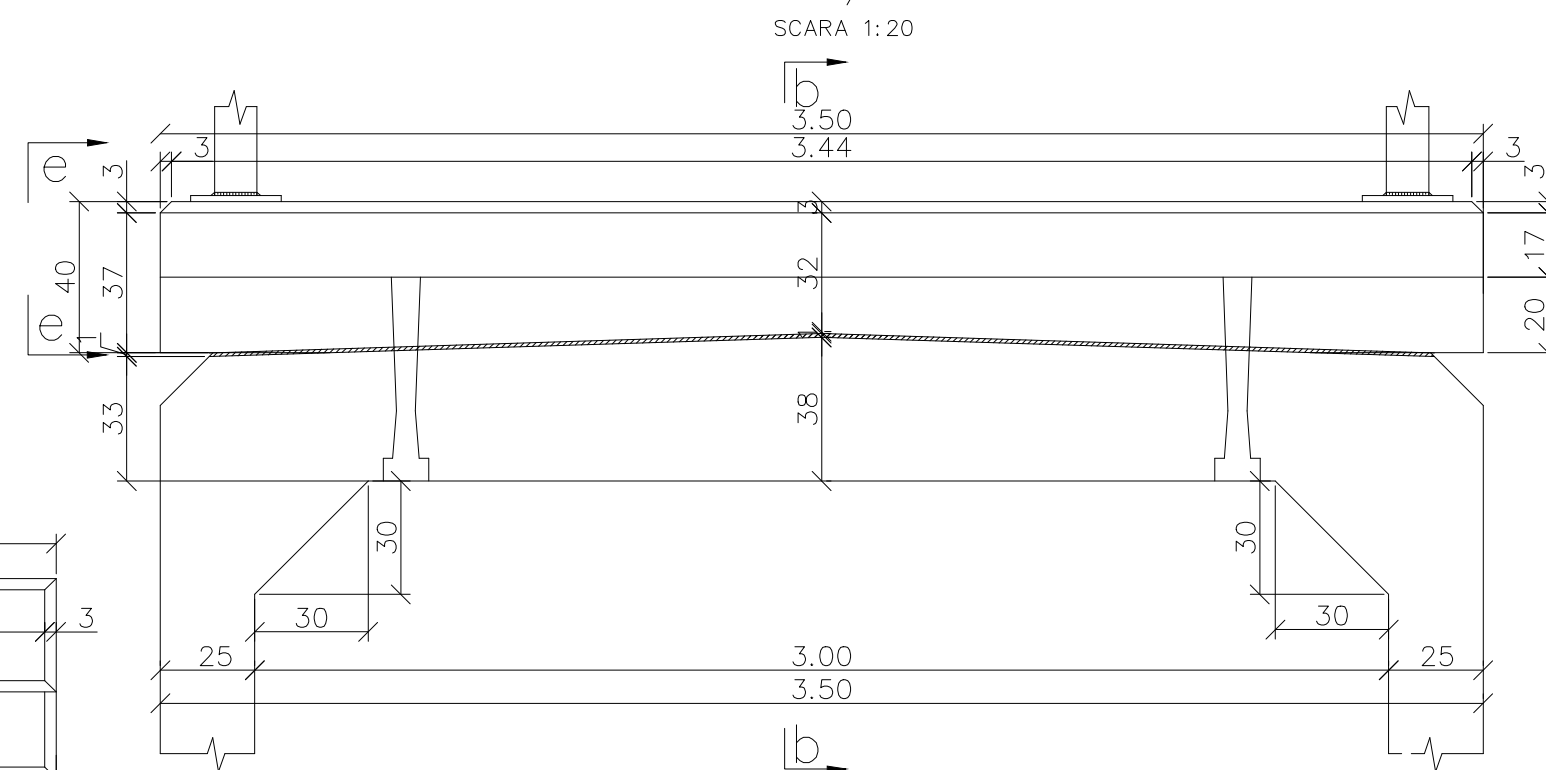
Detaliu "A" Saiba circulara
 Detail "A" Circular collar



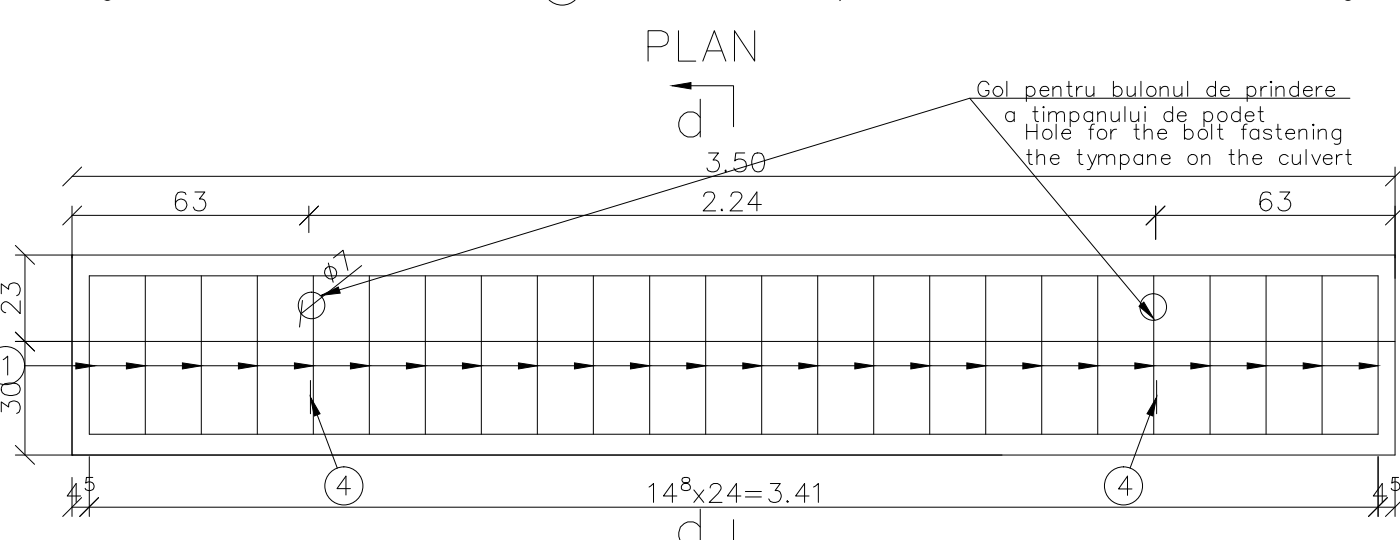
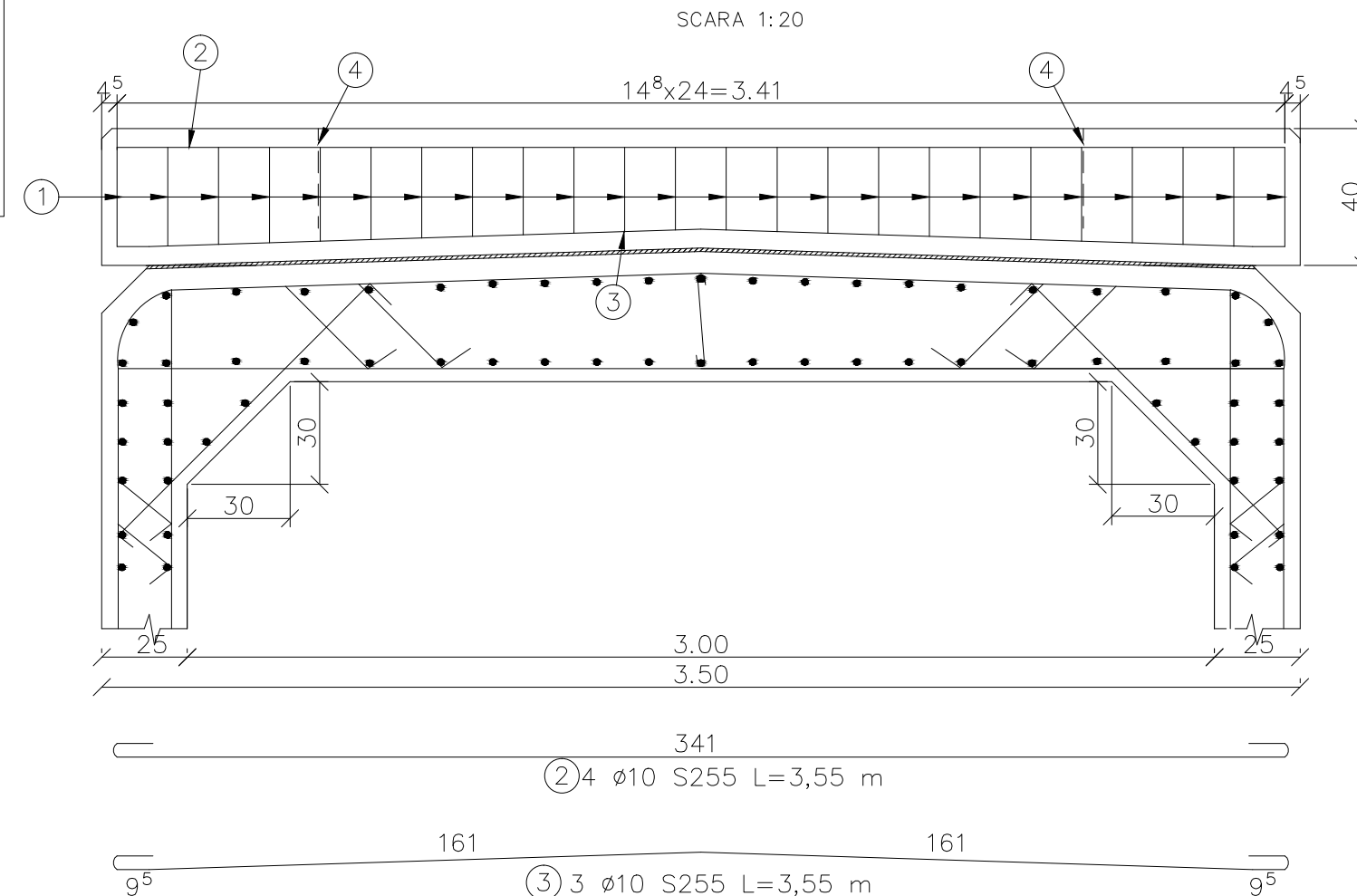
LEGENDA BETOANELOR/CONCRETE LEGEND

- Beton armat element prefabricat
 Reinforcement concrete precast element
 C 35/45 - CEM II A S 32.5 - (XC4+XF3+XA1)
 A/C=0.50 - Dmax 22 - Cl 0.20
- Beton armat pentru protectia hidroizolatiei
 Reinforcement concrete in waterproofing protection layer
 C 25/30 - CEM II/A - S 32.5 - (XC4+XF3)
 A/C=0.50 - Dmax 16 - Cl 0.20

SECTIUNE a-a / SECTION a-a

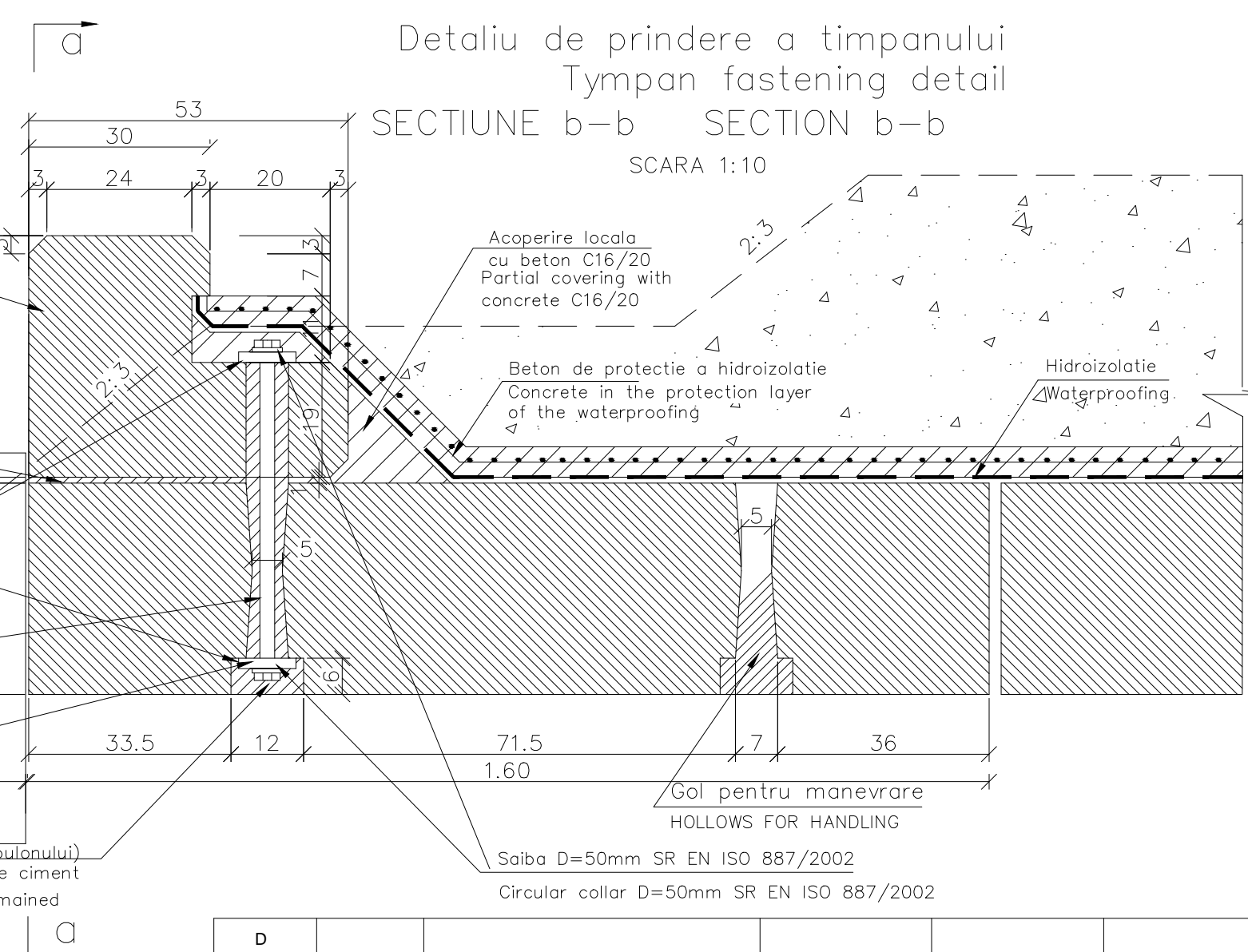


ARMARE TIMPAN PREFABRICAT T3
 REINFORCING THE PRECAST TYMPAN T3

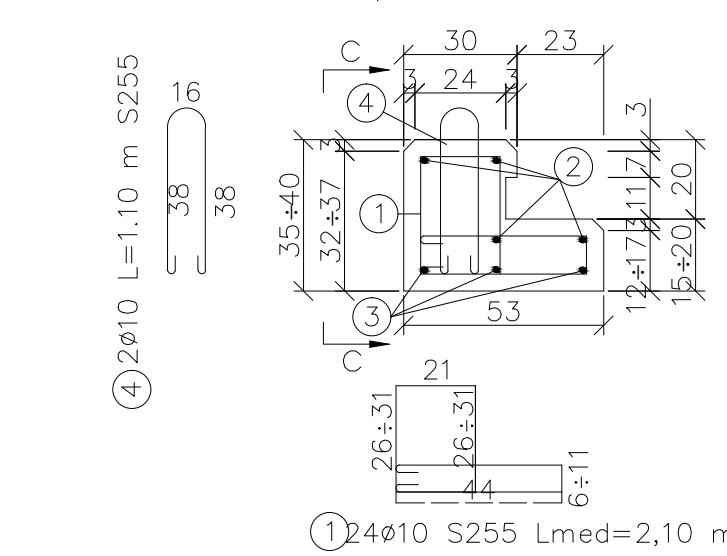


- NOTA:
- Prezentul plan contine planul de cofraj si de armare a timpanului prefabricat pentru tronsonul cadru prefabricat de 3.00m lumina.
 - Timpanul va fi asezat pe un strat de mortar de ciment de 1cm grosime.
 - Timpanul prefabricat se va fixa de podet cu buloane M27 de 430mm lungime.
 - Manevrarea timpanului se va face numai prin intermediul ancorelor marca 4.
- NOTE
- This drawing contains the shuttering and the reinforcing bars of the precast tympan for the precast frame section 3.00m span.
 - The tympan shall be fixed on a cement mortar layer 1 cm thick.
 - The precast tympan shall be fixed on a culvert using bolts M27, 430mm length.
 - The tympan shall be handled only by anchors mark 4.

Se interzice copierea, difuzarea, imprumutarea sau utilizarea in alte scopuri, fara permisiunea AREX Lider Company ca proprietar al desenului.
 This drawing is forbidden to be copied, lent or used in other purposes than those previously approved by AREX Lider Company as its owner.



SECTIUNE d-d / SECTION d-d



EXTRAS DE ARMATURA (S255)
 NECESAR EXECUTARII UNUI TIMPAN T3
 REINFORCING BAR EXTRACT (S255)
 TO CARRY OUT A TYMPAN T3

Marca Mark	ø (mm)	Lung./buc Length/pcs	buc. pcs.	Lung. totala/Total length ø10
1	10	2.10	24	50.40
2	10	3.55	4	14.20
3	10	3.55	3	10.65
4	10	1.10	2	2.20
Lungimi/diametru (m) Length/diameter (m)				77.45
Greutate/metru (kg/m) Weight/metre (kg/m)				0.617
Greutate/diametru (kg) Weight/diameter (kg)				50.00
Greutate totala (kg) Total weight (kg)				50.00

D					
C					
B					
A	12.2011	Revizia 1	Balan Carmen		
Indice Index	Data Date	Modificare Modification/Revision	Proiectant Designer	Aprobat Consultant Approved Consultant	Aprobat CFR Approved CFR

GUVERNUL ROMANIEI ROMANIAN GOVERNMENT
 PROIECT FINANȚAT DE UNIUNEA EUROPEANĂ EUROPEAN UNION FINANCED PROJECT

CFR
 C.N.C.F. "C.F.R." - S.A.

CLIENT / CLIENT
 ITALFERR GRUPPO FERROVIE DELLO STATO Joint Venture leader
 Scott Wilson
 OBERMEYER PLANEN + BERATEN GmbH
 TECNIC Consulting Engineers

CONSULTANT / CONSULTANT			Data Date	Semn tur Signature
Aprobat Approved	ef proiect Project manager	R. Liuzza		<i>[Signature]</i>
Aprobat Approved	Coordonator Sec iune 1 Section 1 Coordinator	C. Gambelli		<i>[Signature]</i>
Verificat Checked	Expert Cheie Checking Expert	V. Kallidromitis		<i>[Signature]</i>

SUBCONTRACTANT / SUBCONTRACTOR			
Aprobat Approved	Responsabil Subconsultant Subconsultant Responsible	A. Dinulescu Stanciu	11.2011
Elaborat Elaborated	Proiectant Designer	Balan Carmen	11.2011

Reabilitarea liniei de cale ferata pe calea ferata Braşov - Sighişoara a coridorului IV Pan European, pentru circulatia trenurilor cu viteza maxim de 160 km/h,
 Tronsonul : Braşov - Sighişoara
 Rehabilitation of the railway line Braşov - Simeria, component Part of the IV Pan-European Corridor, for the trains circulation with maximum speed of 160 km/h,
 Section : Braşov - Sighişoara

Denumire desen / Drawing Title :
 TIMPAN PREFABRICAT T3
 PRECAST TYMPAN T3

Codificare / Codification System	Scara / Scale 1:20;1:10	LOT / LOT	Nr. / No 01 / 01
----------------------------------	-------------------------	-----------	------------------

E A 5 1 0 1 E 0 0 B C P O 0 0 0 0 0 1 1 1