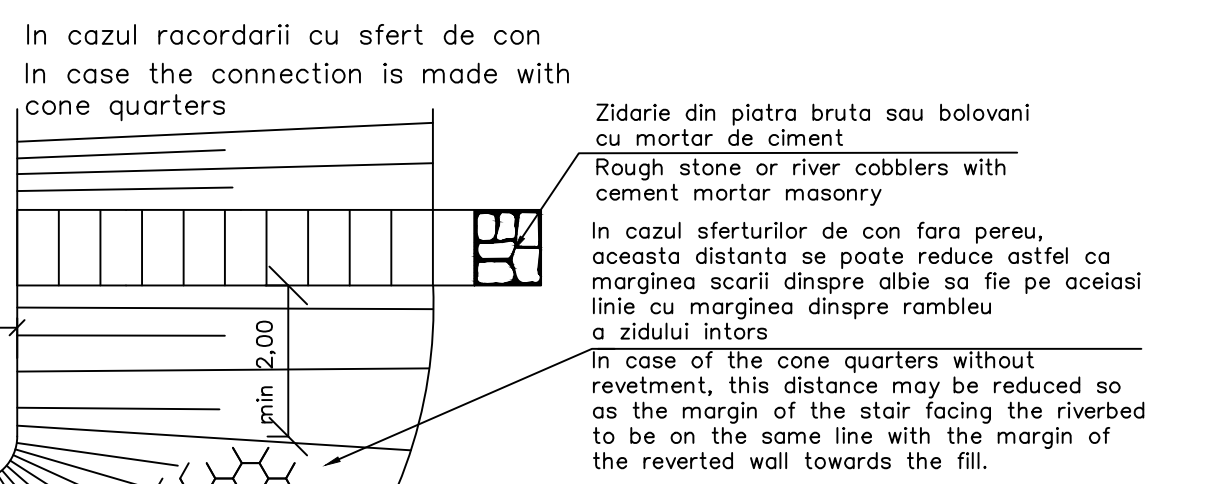
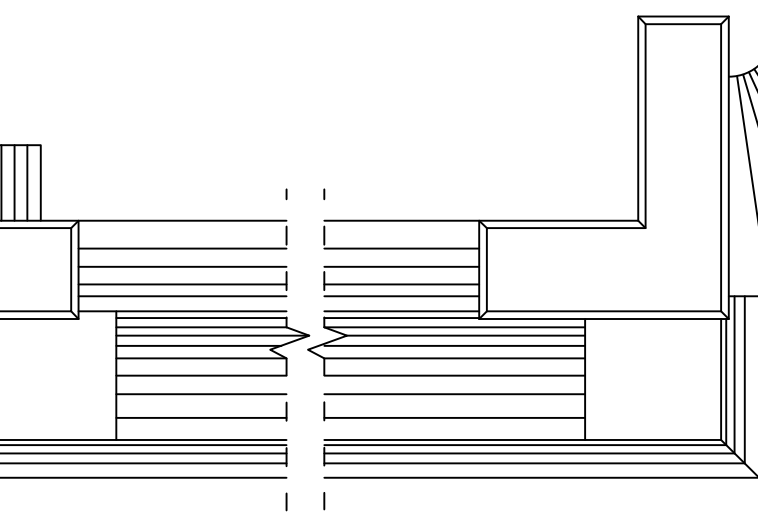


ASEZAREA SCARILOR
PLACING THE STAIRS
Scara 1 : 50

Latimea platformei
Platform width



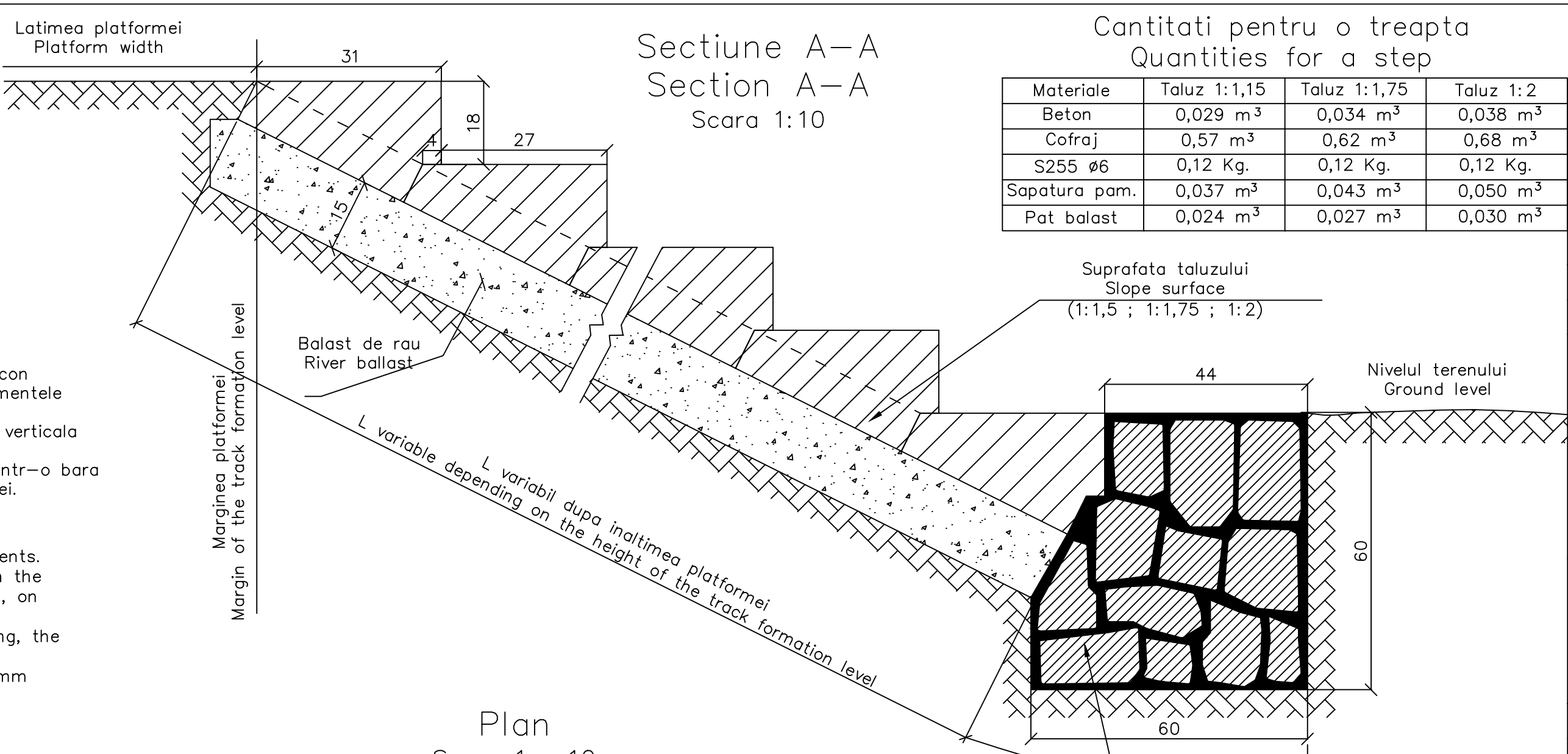
NOTA :

- Treptele se vor executa prefabricate din beton.
- Scarile se vor amplasa fata de aripa sau sferturi de con la distantele minime indicate in prezentul plan, pe terasamentele consolidate in decursul timpului.
- Treapta de beton se va turna in cofraj vertical, latura verticala fiind latimea de 50 cm a treptei. La fata superioara necofrata se va prevedea o ureche dintr-o bara de otel beton ϕ 6mm care va servi la manipularile treptei.

NOTE:

- The steps shall be made out of concrete prefab elements.
- The stairs shall be placed at minimum distances from the wing or from the cone quarters as indicated in this plan, on the consolidated embankments in time.
- The concrete step shall be cast in a vertical shuttering, the vertical side being the 50 cm width of the step. On the upper non-shuttered face a reinforced bar ϕ 6 mm thick eye shall be provided to handle the step.

Sectione A-A
Section A-A
Scara 1:10



Cantitati pentru o treapta
Quantities for a step

Materiale	Taluz 1:1,15	Taluz 1:1,75	Taluz 1:2
Beton	0,029 m ³	0,034 m ³	0,038 m ³
Cofraj	0,57 m ³	0,62 m ³	0,68 m ³
S255 ϕ 6	0,12 Kg.	0,12 Kg.	0,12 Kg.
Sapatura pam.	0,037 m ³	0,043 m ³	0,050 m ³
Pat balast	0,024 m ³	0,027 m ³	0,030 m ³

Se interzice copierea, difuzarea, imprumutarea sau utilizarea in alte scopuri, fara permisiunea AREX LIDER, ca proprietar al desenului!
This drawing is forbidden to be copied, lent or used in other purposes than those previously approved by AREX LIDER, as its owner!

Indice Index	Data Date	Modificare Modification/Revision	Proiectant Designer	Aprobat Consultant Approved Consultant	Aprobat CFR Approved CFR
D					
C					
B					
A					

GUVERNUL ROMANIEI
ROMANIAN GOVERNMENT

PROIECT FINANAT DE UNIUNEA EUROPEANA
EUROPEAN UNION FINANCED PROJECT



C.N.C.F. "C.F.R." - S.A.

CLIENT / CLIENT

ITALFERR GRUPPO FERROVIE DELLO STATO Joint Venture leader

Scott Wilson

OBERMEYER PLANEN + BERATEN GmbH

TECNIC Consulting Engineers

CONSULTANT / CONSULTANT

Aprobat Approved	ef proiect Project manager	R. Liuzza	Data Date	Semn tur Signature
Aprobat Approved	Coordonator Sectiune 1 Section 1 Coordinator	C. Gambelli		
Verificat Checked	Expert Cheie Checking Expert	V.Kallidromitis		

SUBCONTRACTANT / SUBCONTRACTOR

Aprobat Approved	Responsabil Subconsultant Subconsultant Responsible	A. Dinulescu Stanciu	11.2011	
Elaborat Elaborated	Proiectant Designer	Carmen Balan	11.2011	

Reabilitarea liniei de cale ferata de la Braşov la Sighişoara a coridorului IV Pan European, pentru circulatia trenurilor cu viteza maxim de 160 km/h,
Tronsonul : Braşov - Sighişoara
Rehabilitation of the railway line Braşov - Simeria, component Part of the IV Pan-European Corridor, for the trains circulation with maximum speed of 160 km/h,
Section : Braşov - Sighişoara

Project/Project 2004/RO/16/PI/PA/003
Faza / Phase: P.Th. / T.D.

Denumire desen / Drawing Title :

Trepte de acces pe terasament
Embankment access stairs

Codificare / Codification System	Scara / Scale 1:50, 1:10, 1:5	LOT / LOT	Nr. / No 01 / 01
EA51	01	E 00 BK PO 00 0 0 020 0	

DETALII LA TREPTE
SECTIONS DETAILS
Scara 1:5

Fig.1 Treapta ptr. un taluz 1:1,5
Fig. 1 Step for a slope 1:1,5

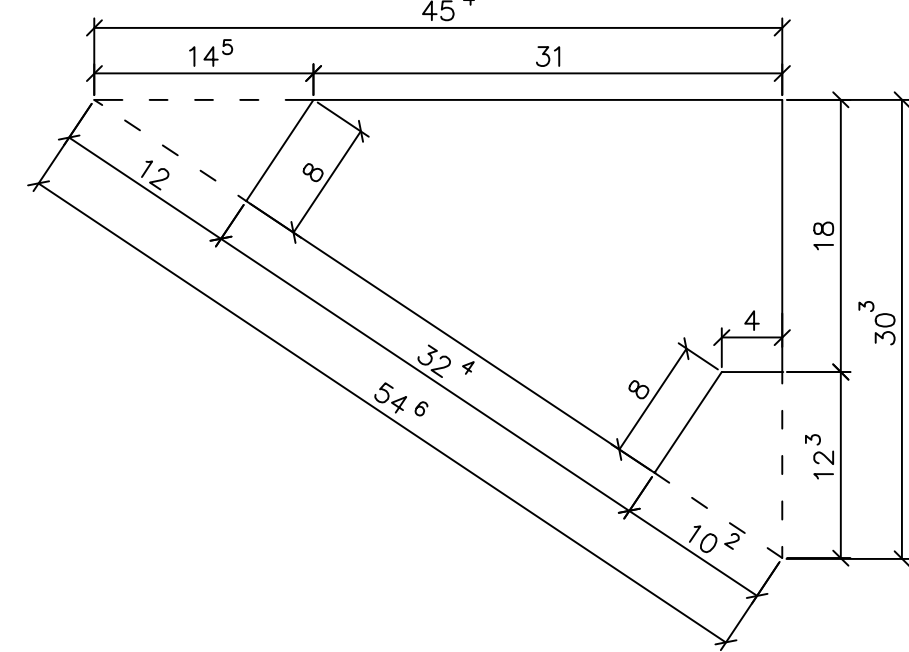


Fig.2 Treapta ptr. un taluz 1:1,75
Fig. 2 Step for a slope 1:1,75

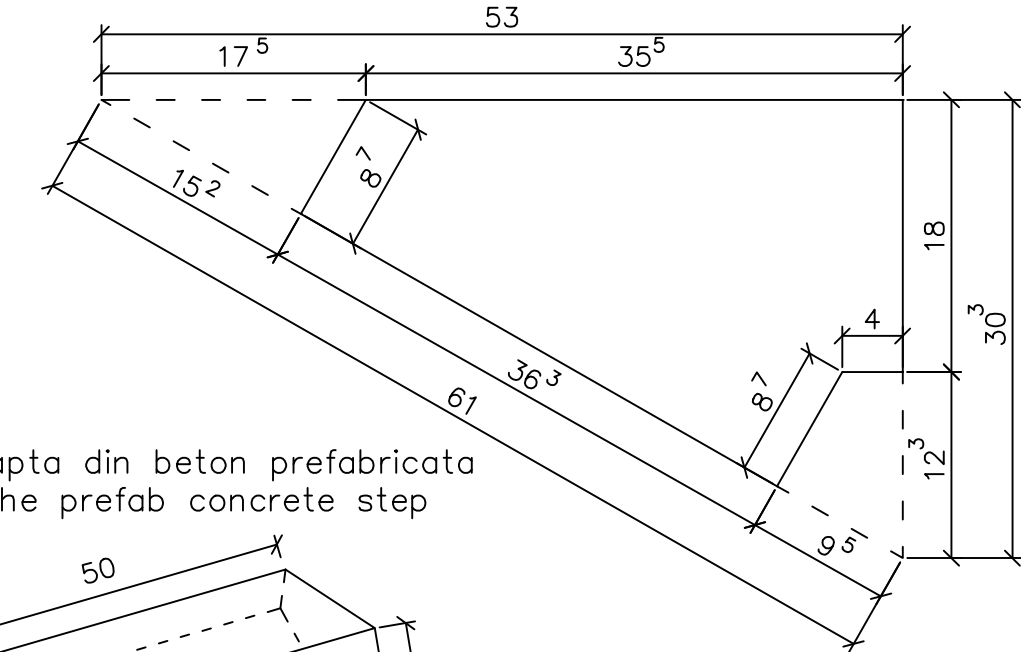
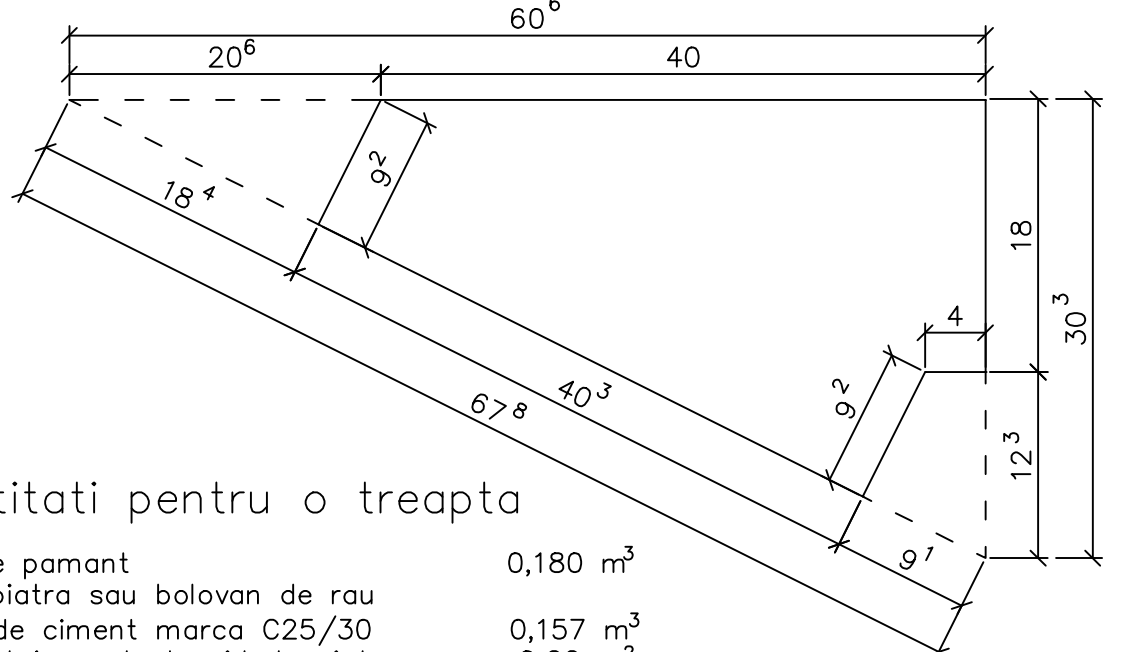


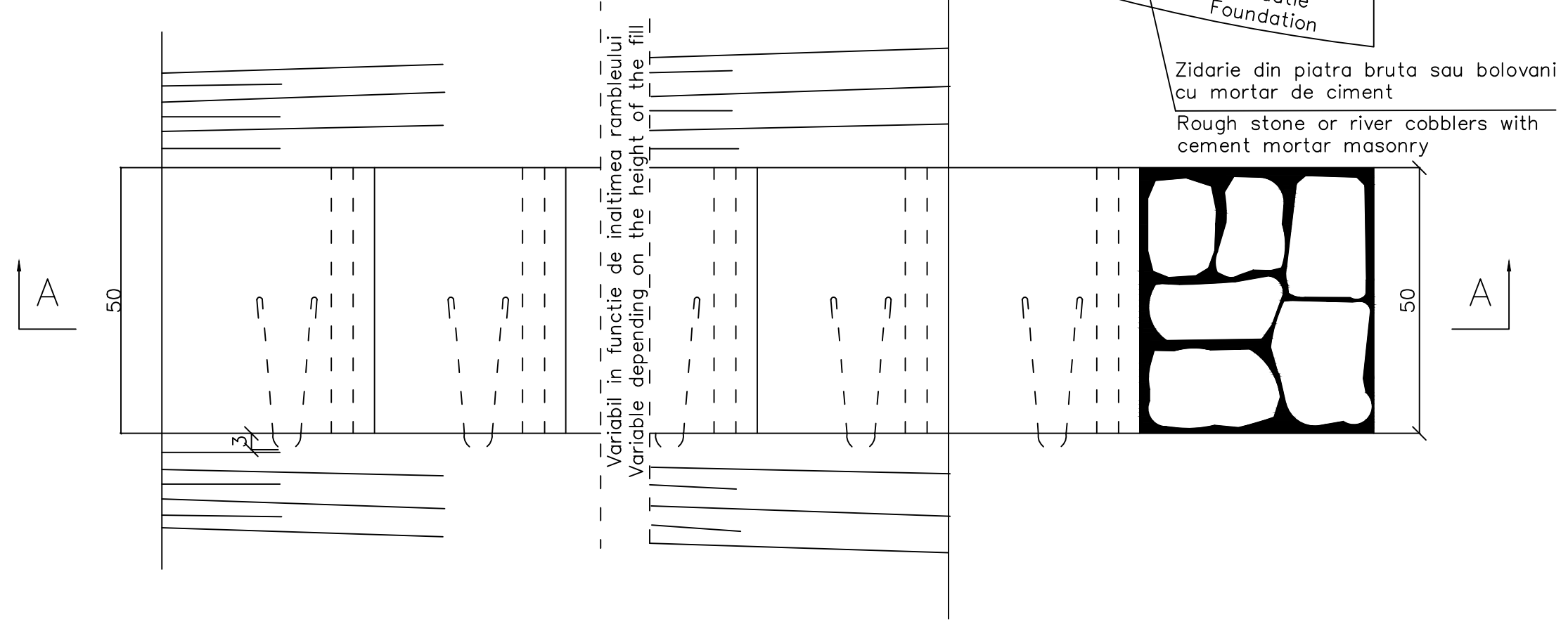
Fig.3 Treapta ptr. un taluz 1:2
Fig. 3 Step for a slope 1:2



Cantitati pentru o treapta
Quantities for a step

Sapatura de pamant	0,180 m ³
Zidarie de piatra sau bolovan de rau cu mortar de ciment marca C25/30	0,157 m ³
Rostuirea fetei vazute la zid de piatra	0,22 m ²
Earth excavation	0,180 m ³
Stone masonry or river cobbles with cement mortar brand: C25/30	0,157 m ³
Jointing the visible face of the stonewall face	0,22 m ²

Plan
Scara 1 : 10



Beton in treapta
Concrete step
C25/30 CEM II/A-S32.5-(XC4+XF3+XA1)
-A/C=0.50-Dmax32-Cl 0.20

ϕ 6 L=50 Diametrul interior al urechii 3cm
 ϕ 6 L=50 Inner diameter of the hook 3 cm