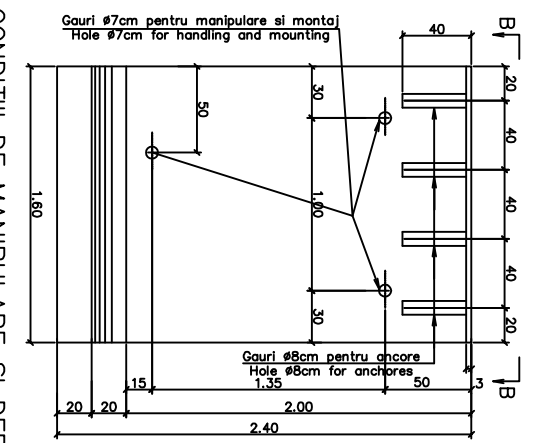
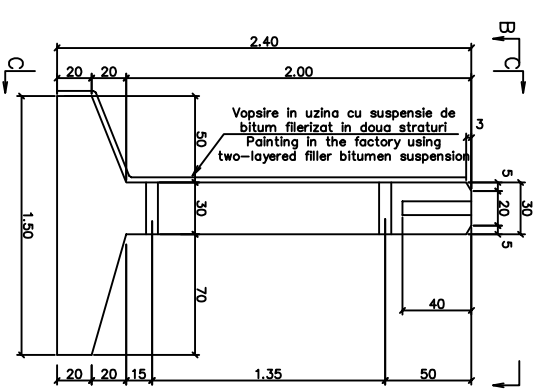


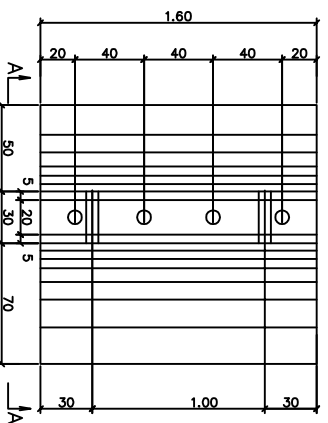
ELEVATIE PREFABRICATA L3/L3 PREFAB ELEVATION

VEDERE A-A/VIEW A-A

VEDERE C-C/VIEW C-C



VEDERE B-B/VIEW B-B



CONDITII DE MANIPULARE SI DEPOZITARE
HANDLING AND STORAGE CONDITIONS

LA TRANSPORT
TO TRANSPORT

LA MONTARE
TO INSTALLATION

NOTA :

1. Tronsoanele de elevatie prefabricate se vor vopsi in uzina cu vopsea bituminoasa fierzita in doua straturi.
2. Pentru montarea in uzina si pe santier s-au prevazut gauri #7cm in elementele prefabricate care dupa montarea in lucrare, se vor umple cu mortar de ciment.
3. Elementele prefabricate se vor aseza, pana la introducerea in opera, pe capace astielte inalte, dar nu pe murdarosa.

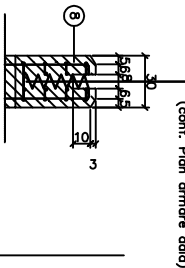
NOTE :

1. The prefab sections of the elevations will be painted in the factory using two-layered filler bitumen suspension on the sides indicated in the drawing.
2. For handling in the factory and on site, #7cm holes were provided in the prefabricated elements which will be filled with cement mortar in the work.
3. Before putting into the work, the prefab elements will be placed on supports to avoid the base getting dirty.

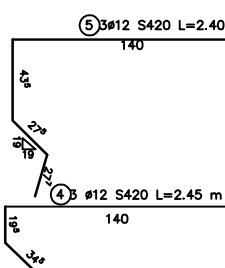
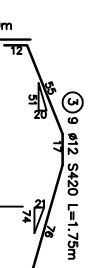
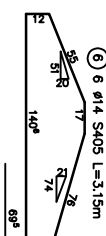
CARACTERISTICILE UNUI PREFABRICAT CHARACTERISTICS OF A PREFAB ELEMENT

1	VOLUM DE BETON/ CONCRETE VOLUME	1,73m ³
2	OTEL S420/S420 STEEL	25kg
3	OTEL S405/S405 STEEL	80kg
4	OTEL S255/S255 STEEL	78kg
5	CORAJE/SHUTTERING	13,72m ²
6	GREUTATE/WEIGHT	4,32t

Anchor #22 S425 48x L=0,80
(cont. from armare 080)



Observatie:
Ancora #22 se poate monta conform detaliului de mai sus, in uzina sau pe santier, in functie de posibilitatile de executie.
Remark:
#22 can be mounted according to the detail shown above, depending on the execution possibilities.



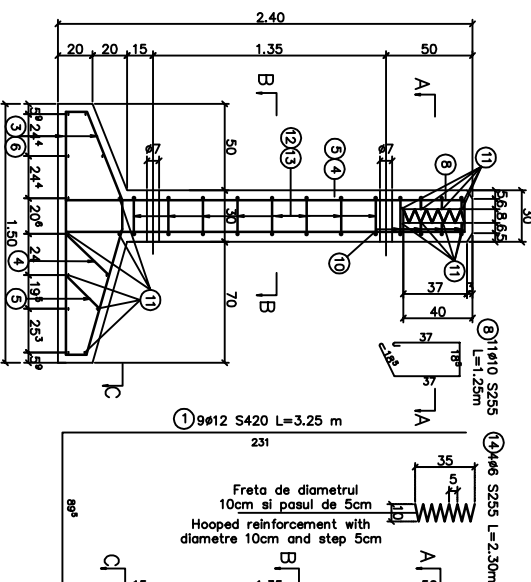
EXTRAS DE ARMATURA S255 STANDARD FOR REINFORCEMENT

Marca	Ø (mm)	Buc. asem. Similari	Lungimi pe buc. Length/pcs	Lungimi totale pe Ø	Ø8	Ø10
8	10	11	1,25			13,75
9	8	24	0,35		8,40	
10	8	4	3,60			14,40
11	8	24	1,65			39,60
12	8	16	1,70			27,20
13	8	8	2,15			17,20
14	6	4	2,30	9,20	8,40	112,15
Greutate specifica (Kg/ml)				0,222	0,395	0,617
Greutate totala pe Ø				3	5	70
TOTAL S255pt. 1prefabricat./for 1precast=				78Kg		

LEGENDA BETOANELOR/CONCRETE LEGEND

- Beton armat element prefabricat
- Reinforcement concrete precast element
- C 35/45 - CEM II A S 32,5 - (XC4+XF3+XA2)
- A/C=0,50 - Dimox 22 - Cl 0,20

SECTIUNE D-D/SECTION D-D



EXTRAS DE ARMATURA S405/S420 STANDARD FOR REINFORCEMENT

Marca	Ø (mm)	Buc. asem. Similari	Lungimi pe buc. Length/pcs	Lungimi totale pe Ø	Ø12	Ø14
1	12	9	3,25	29,25		
2	12	9	3,05	27,45		
3	12	9	1,75	15,75		
4	14	3	2,45	7,35		
5	14	3	2,40	7,20		
6	14	6	3,15	18,90		
Lungimi totale pe Ø				87,00	18,90	
Greutate specifica (kg/ml)				0,888	1,21	
Greutate totala pe Ø				80	25	
TOTAL S420 pt. 1 prefabricat./for 1precast =				80Kg		
TOTAL S405 pt. 1 prefabricat./for 1precast =				25Kg		

CLASA DE DURABILITATE/CLASS DURABILITY: D32/45d(XC4+XF3+XA2)

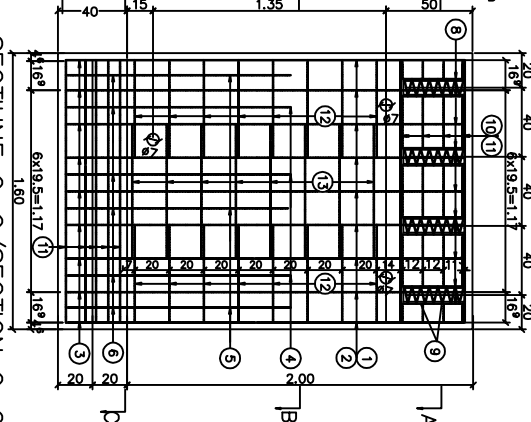
ACOPERIRE/COVERAGE: 4 cm S4(XC4+XF3+XA2) pentru o durata de viata de 50 ani/for a life duration of 50 years

OTEL BETON/CONCRETE STEEL - S255: S420; S405 BETON/CONCRETE - C 35/45

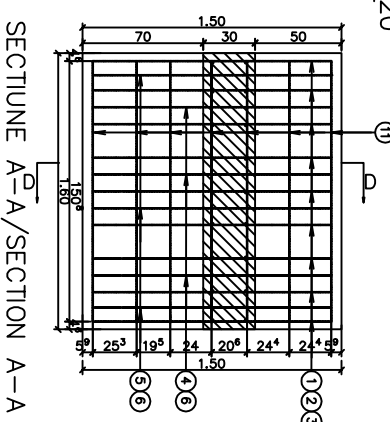
CLASA DE PRECIZIE/CLASS PRECISION = 7

CONFORM/ACCORDING SR EN 1399-89

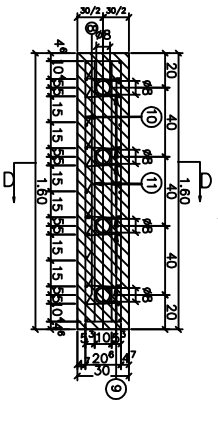
ELEVATIE/ELEVATION



SECTIUNE C-C/SECTION C-C

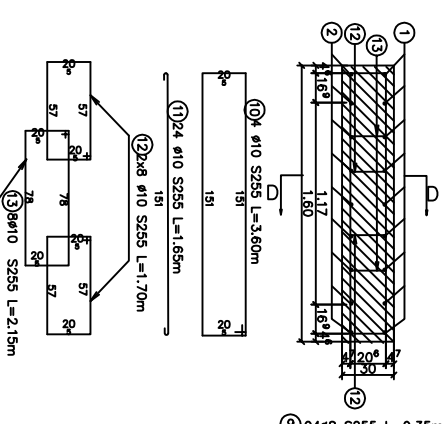


SECTIUNE A-A/SECTION A-A



Se interzice copierea, difuzarea, imprimarea sau utilizarea in alt scop, fara permisiunea ARX Laser Company cu proprietate de desene. This drawing is forbidden to be copied, lent or used in other purposes than those previously approved by ARX Laser Company as its owner.

SECTIUNE B-B/SECTION B-B



D					
C					
B					
A	12.2011	Revizii 1	Balan Camen	Approved Consultant	Approved CRF
Index	Date	Modificari/Revisiuni	Producteur	Approved Consultant	Approved CRF
GUVERNUL ROMANIEI ROMANIAN GOVERNMENT			PROIECT FINANAT DE UNIUNEA EUROPEA EUROPEAN UNION FINANCED PRO		



C.N.C.F. 'C.F.R.' S.A.

CLIENT / CLIENT

CONSULTANT / CONSULTANT

Subcontractant / Subcontractor

PLAN COPRI SI ARMARE ELEMENT PREFABRICAT L3
SHUTTERING AND REINFORCEMENT PLAN FOR PREFABST ELEMENT L3

Denumire desen / Drawing Title :

Codificare / Codification System

Scale / Scale

Lot / Lot

Nr. / Nr

1