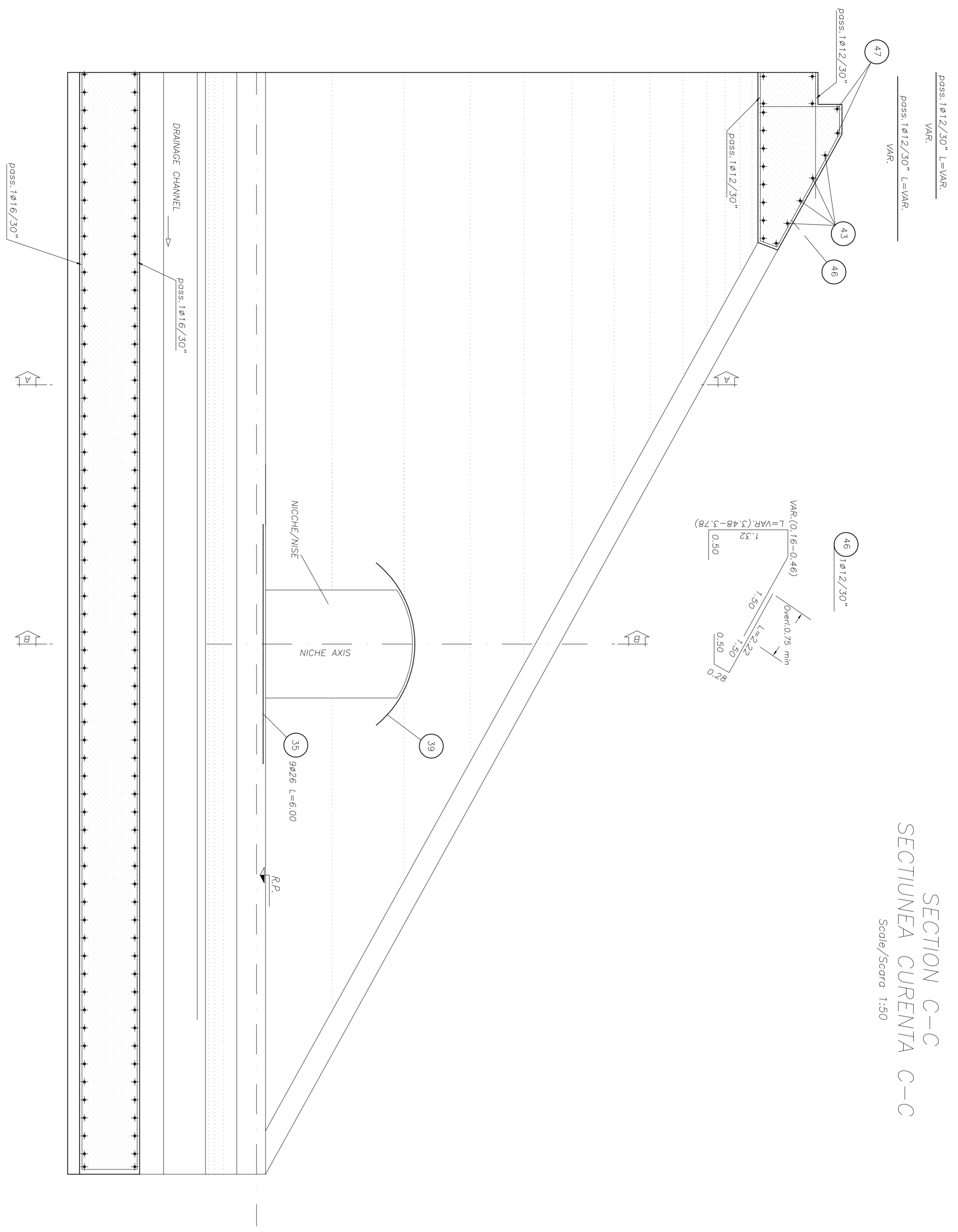
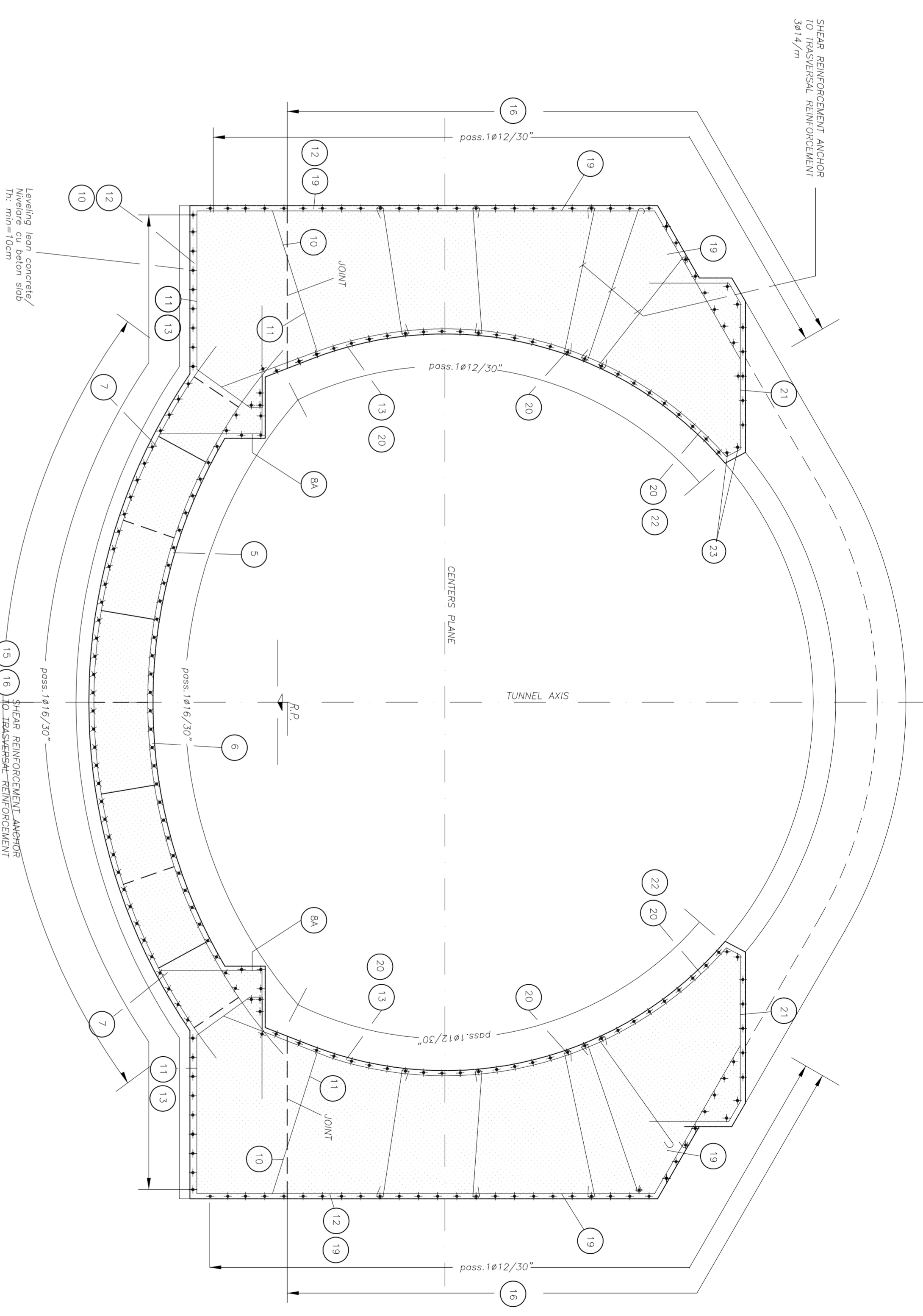


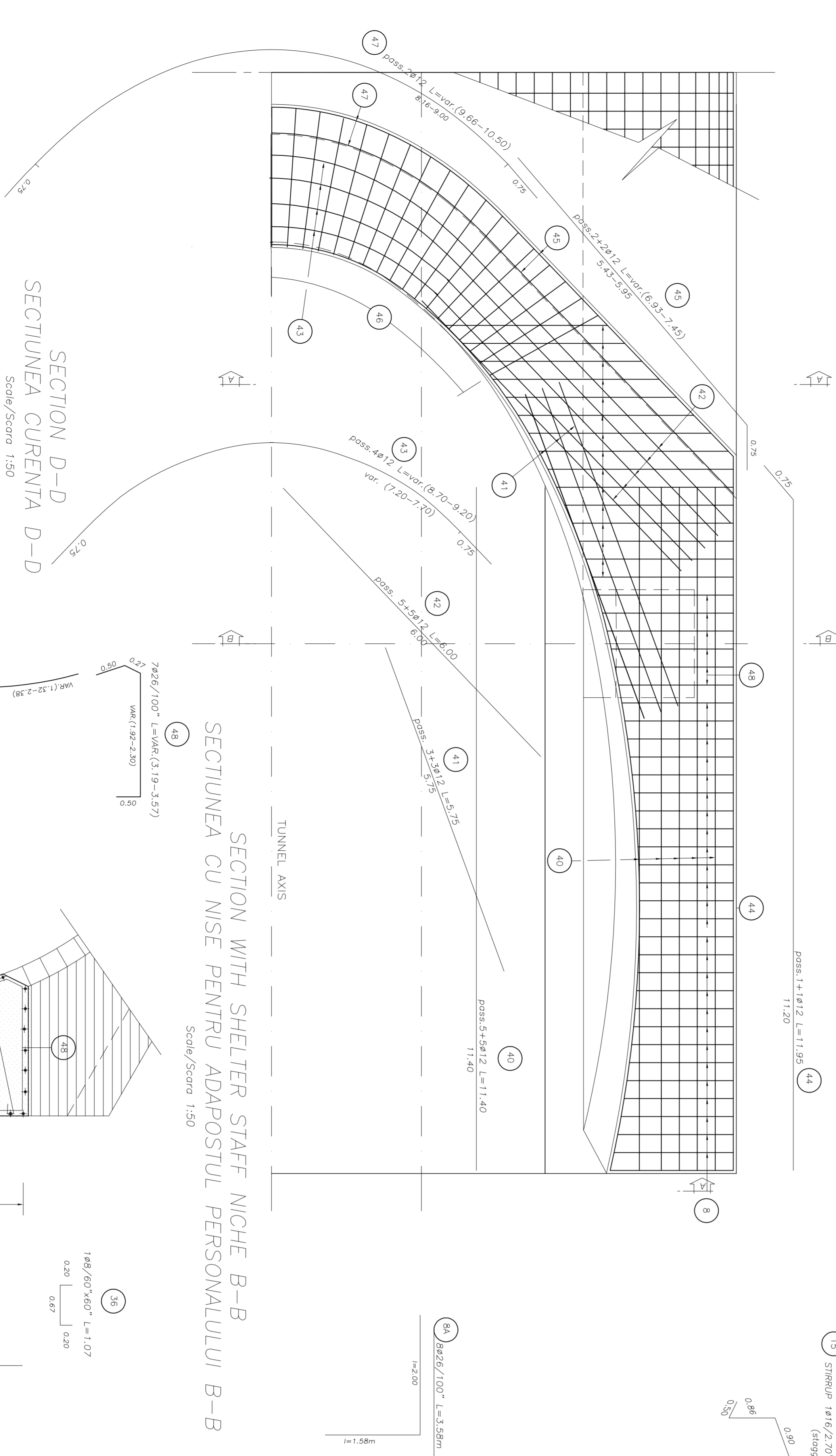
SECTION C-C
SECTIUNEA CURENTA C-C-C
Scale/Scara 1:50



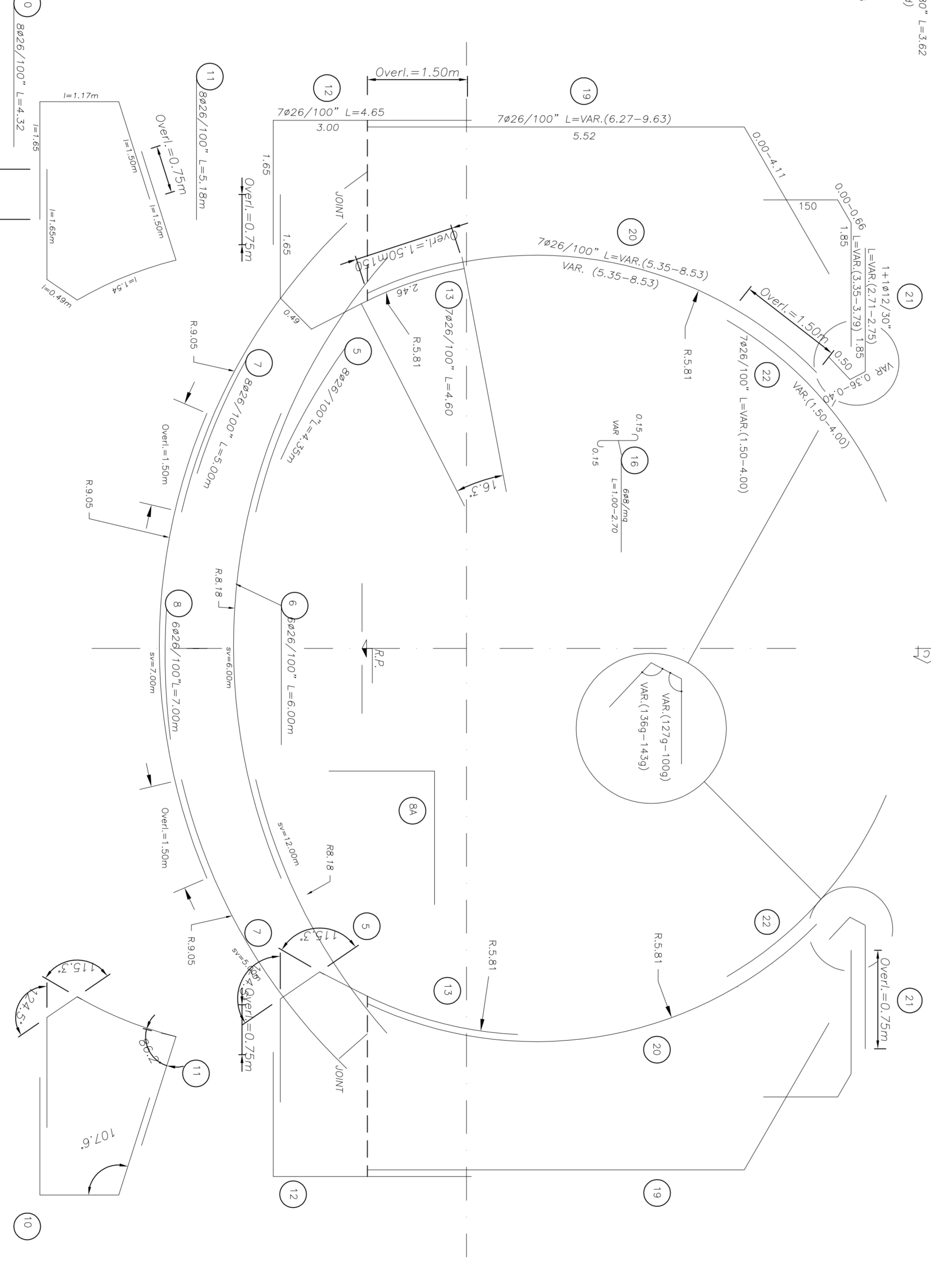
SECTION A-A
SECTIUNEA CURENTA A-A-A
Scale/Scara 1:50



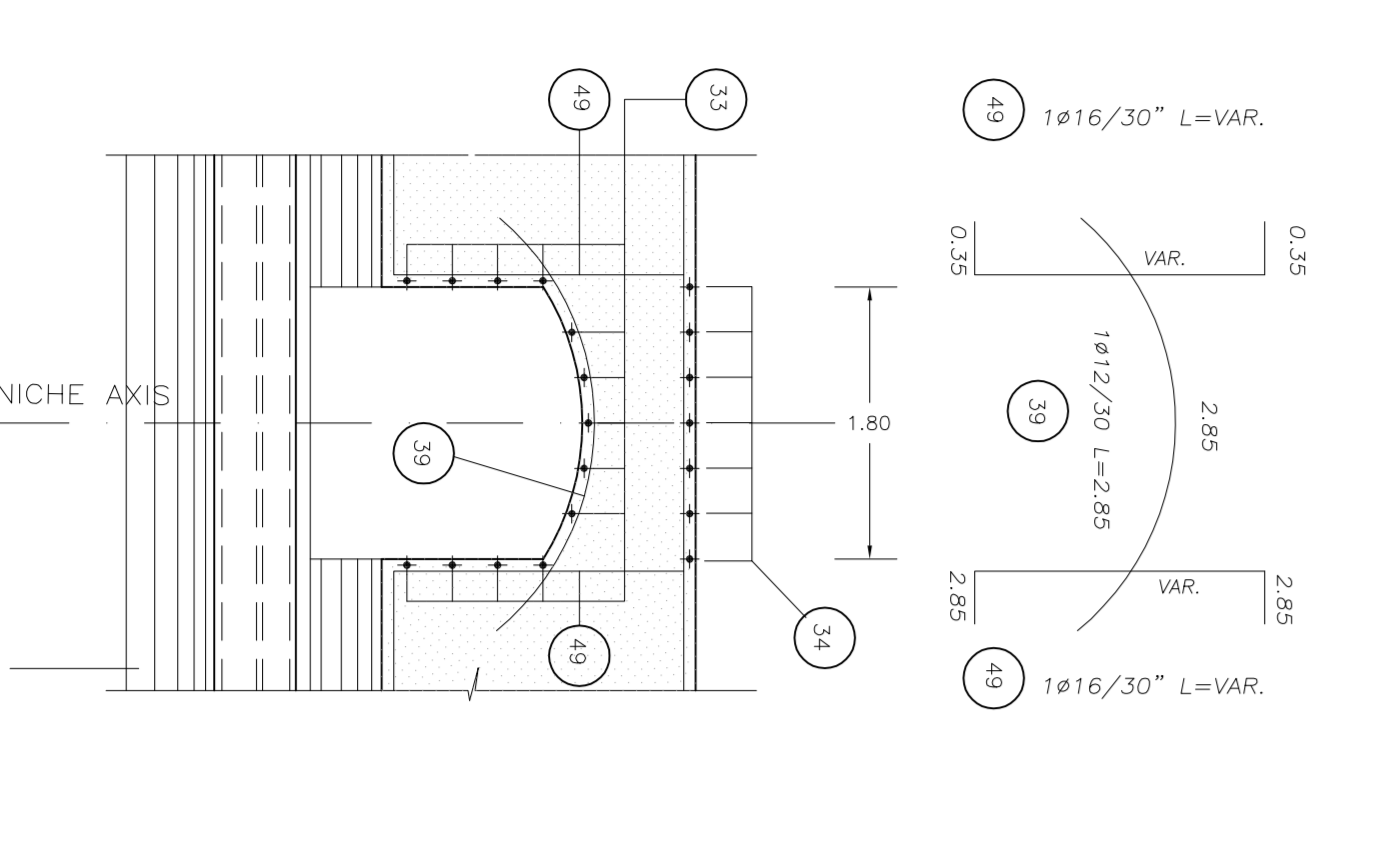
PLAN
Scale/Scara 1:50



SECTION B-B
SECTIUNEA CU NISE PENTRU ADAPOSTUL PERSONALULUI B-B
Scale/Scara 1:50



SECTION D-D
SECTIUNEA CURENTA D-D-D
Scale/Scara 1:50



STEELS TABLE

REINFORCING STEEL:
- BRCOC (molded)
Bending diameter R_b :
Bar < 400 -> $R_b = 6d$
Bar # 400 -> $R_b = 8d$

Legend measures:

MATERIAL TABLE

TUNNEL INNER CONCRETE:
- Type C20
- $f_{ck} = 20$ MPa
- $f_{ctm} = 2.36$ MPa
- Maximum aggregate size: 40 mm
- Maximum water content: 51.5%
- Exposure class relating to environmental conditions: XA2
- Class of concrete cover: C 20
- ρ_{max} aggregate = 20 mm

TUNNEL EXTERNAL CONCRETE:
- Type C15
- $f_{ck} = 15$ MPa
- $f_{ctm} = 1.76$ MPa
- Maximum aggregate size: 30 mm
- Maximum water content: 51.5%
- Exposure class relating to environmental conditions: XA2
- Class of concrete cover: C 20
- ρ_{max} aggregate = 20 mm

REINFORCING STEEL:
- BRCOC, controlled by establishment
- BRCOC
- Type A
- $f_{yk} = 475$ MPa
- $f_{tk} = 412$ MPa
- Corrosion type: CA4 / IV

LEGEND
RP = REFERENCE PLANE
EX = EXCAVATIONS PLANE
PC = CENTER PLANE

Index	Date	Modification	Project Manager	Approved/Checked	Approved/Checked
A					
B					
C					
D					

CLIENT / CLIENT

CONSULTANT / CONSULTANT

SUBCONSULTANT / SUBCONSULTANT

Demnitate desen / Drawing Title: ARHITECTURA 1 TUNNEL
Portalul de intrare in tunel: sectiuni cu si fara nise - Armatul

Conditiile / Conditions System:

E	A	5	1	0	1	C	1	4	B	B	G	A	0	6	0	0	0	0	0	9	0	0
---	---	---	---	---	---	---	---	---	---	---	---	---	---	---	---	---	---	---	---	---	---	---