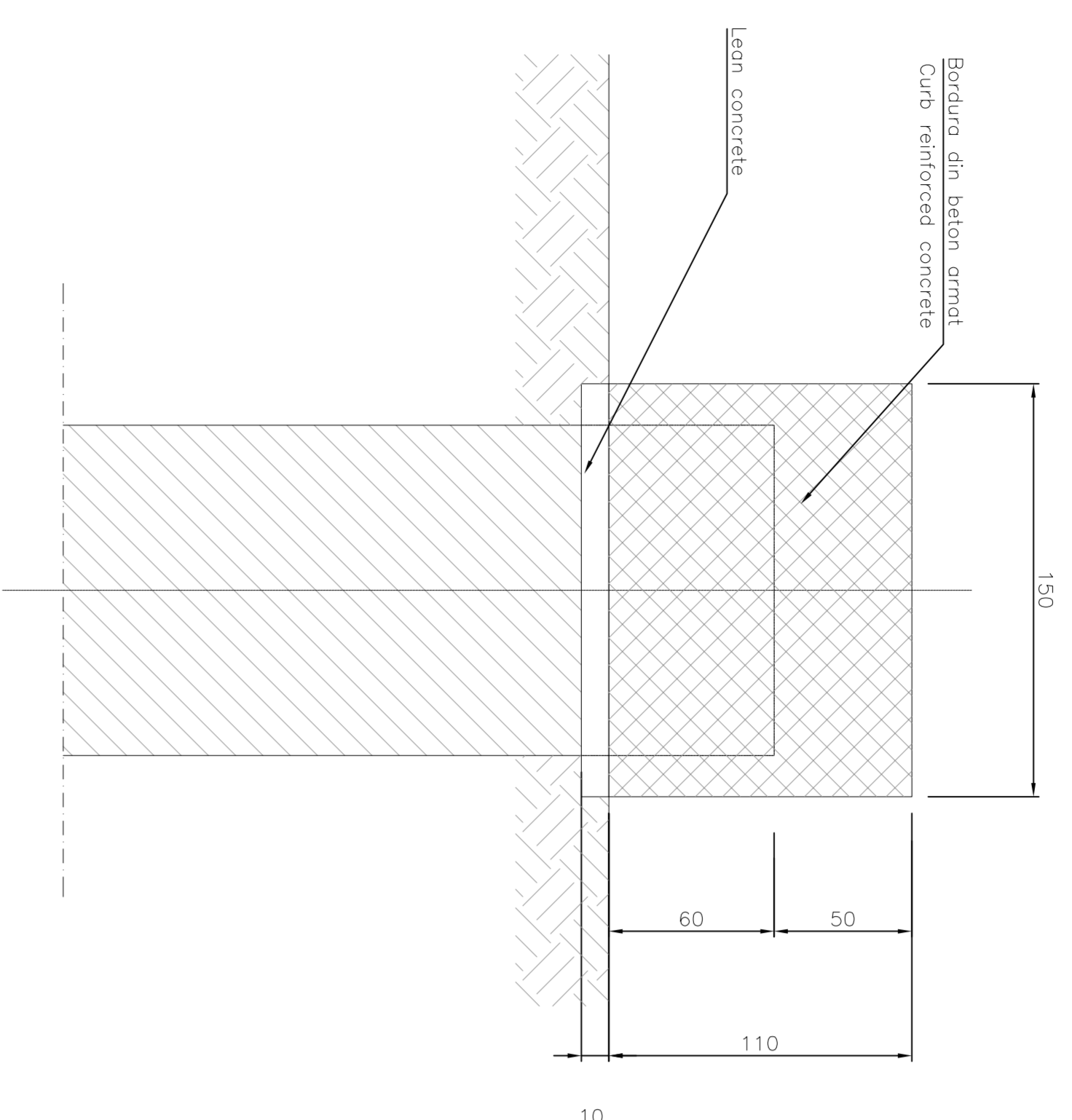
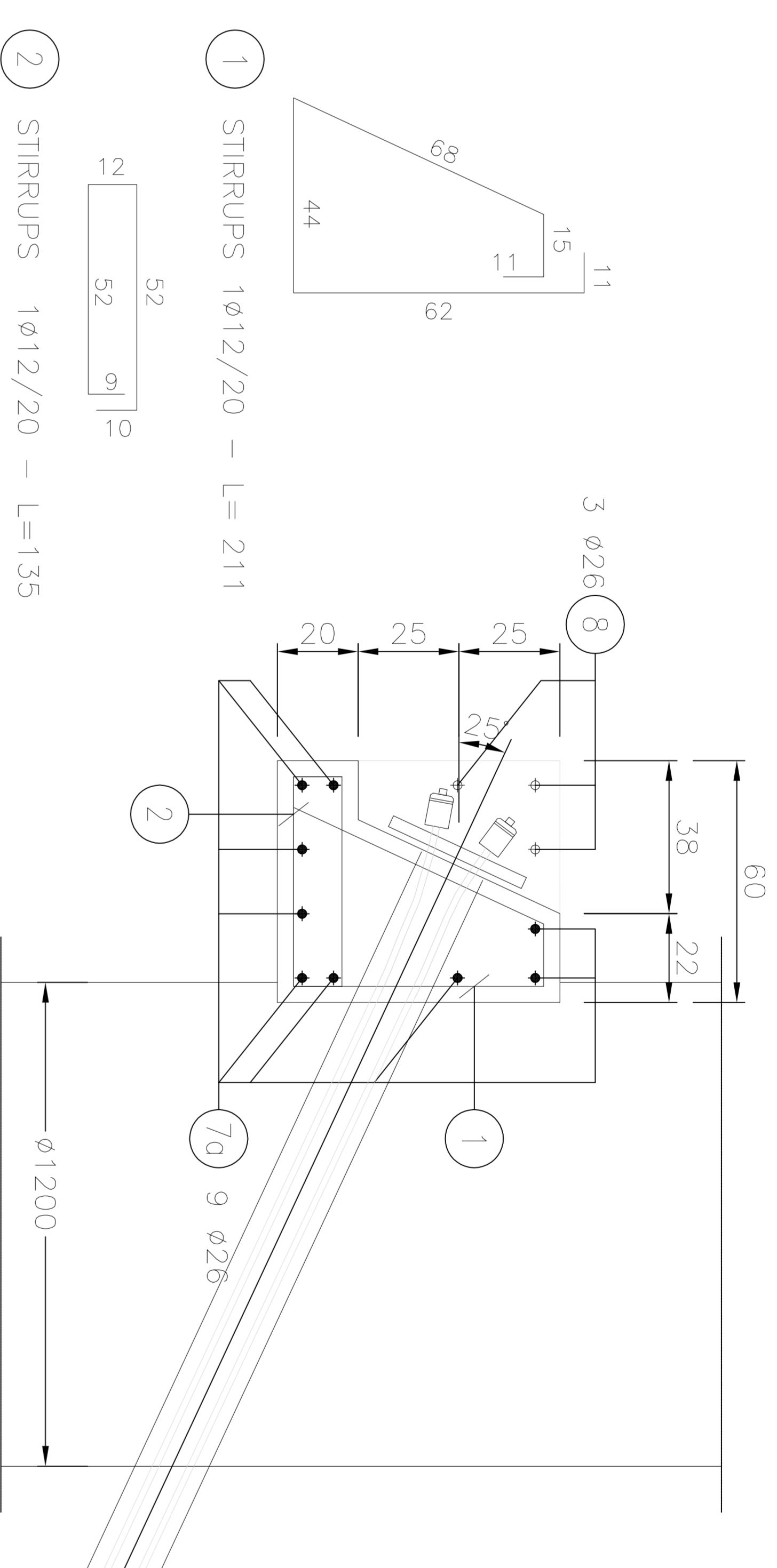


CURB REINFORCED CONCRETE  
BORDURA DIN BETON ARMAT  
Formworks/Cofraje  
Scale/Scara 1:20

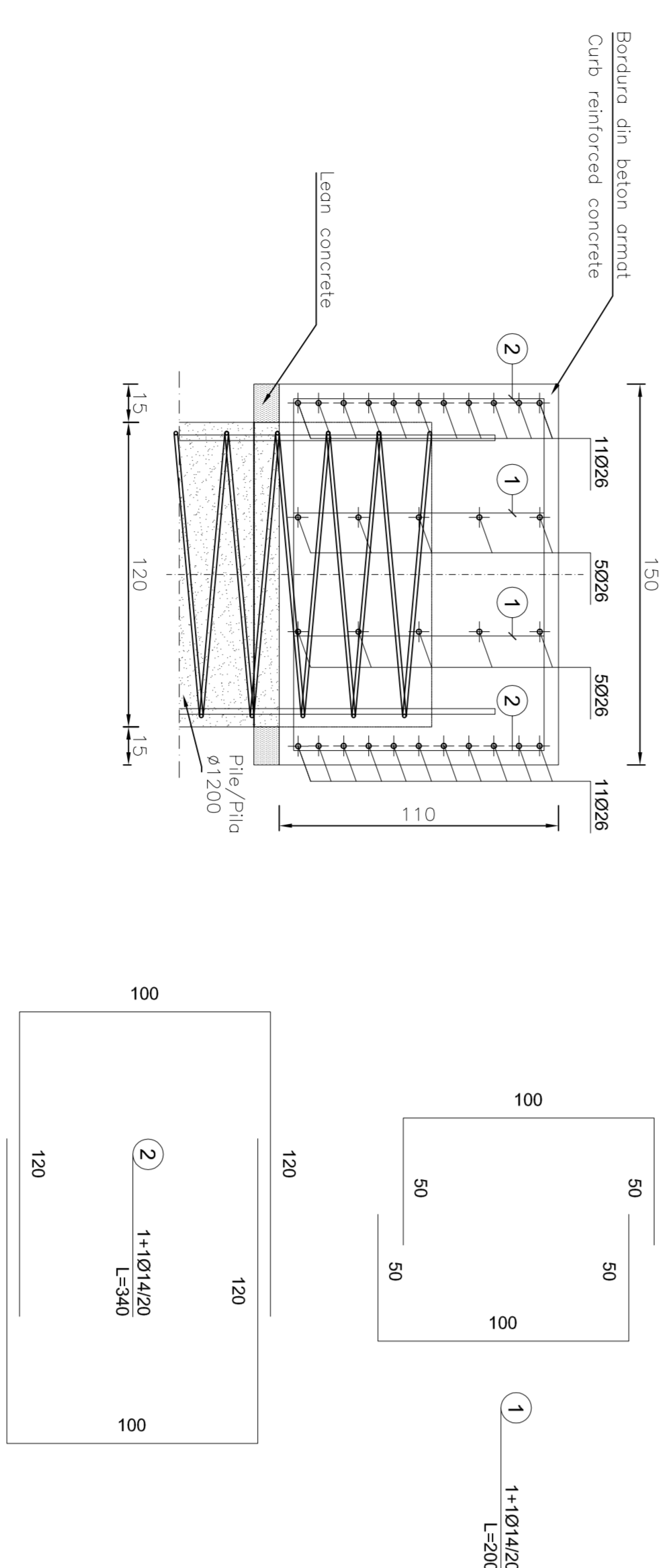


CURB REINFORCED CONCRETE WITH TENDONS-TYPE 2  
BORDURA DIN BETON ARMAT CU FRANGHIE-TIP 2  
Reinforcements/Armături  
Scale/Scara 1:10

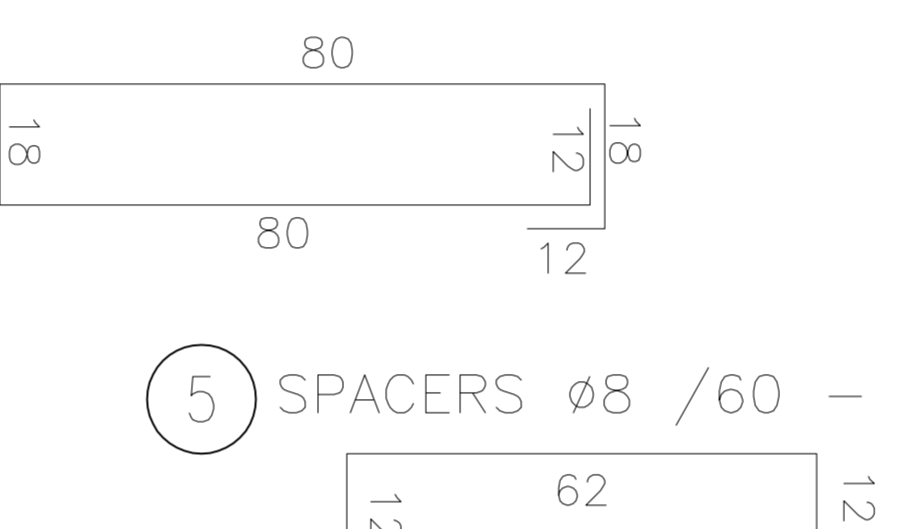


CURB REINFORCED CONCRETE - TYPICAL SECTION  
BORDURA DIN BETON ARMAT - SECTIUNI TIP  
Reinforcements/Armături  
Scale/Scara 1:10

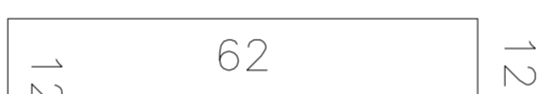
CURB REINFORCED CONCRETE -TYPE 1  
BORDURA DIN BETON ARMAT-TIP 1  
Reinforcements/Armături  
Scale/Scara 1:20



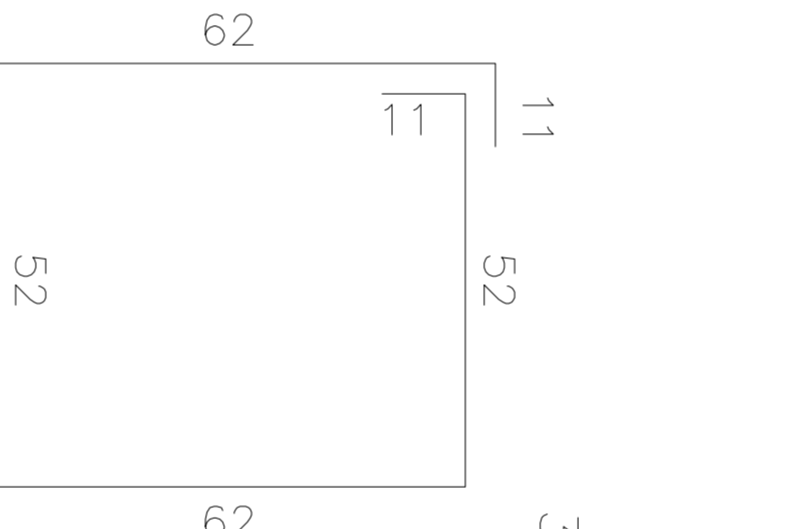
9 STIRRUPS 1Ø12 /20 - L=220



5 SPACERS Ø8 /60 - L=85



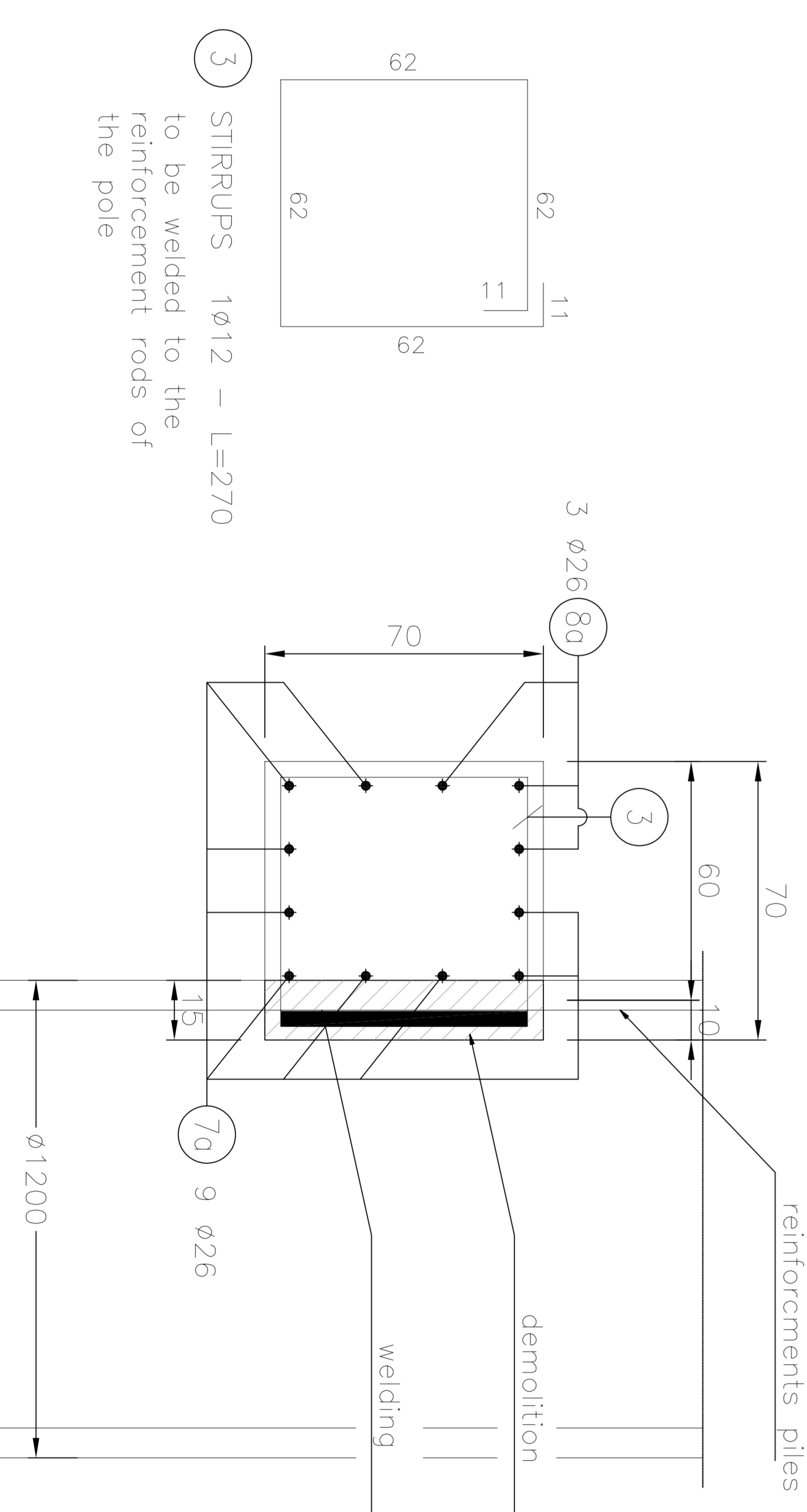
4 STIRRUPS 1+1Ø12 - L=250



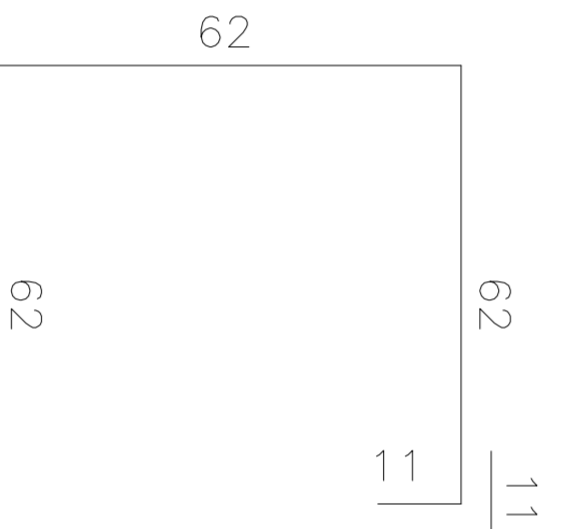
6 SPACERS Ø8 /60 - L= 75



CURB REINFORCED CONCRETE ON PILES  
BORDURA DIN BETON ARMAT DEASUPRA PILA  
Reinforcements/Armături  
Scale/Scara 1:10



3 STIRRUPS 1Ø12 - L=270  
to be welded to the  
reinforcement rods of  
the pile



STEELS TABLE	
REINFORCING STEEL	Legend measures:
- B450C (redacted)	
Bending diameter $d_b \cdot 1$	
Ø Bar < 20 -> $d_b = 6a$	
Ø Bar 20-26 -> $d_b = 8a$	
Ø Bar 26-32 -> $d_b = 8a$	
Ø Bar 32-40 -> $d_b = 8a$	
Ø Bar 40-50 -> $d_b = 8a$	
Ø Bar 50-63 -> $d_b = 8a$	
Ø Bar 63-75 -> $d_b = 8a$	
Ø Bar 75-90 -> $d_b = 8a$	
Ø Bar 90-108 -> $d_b = 8a$	
Ø Bar 108-125 -> $d_b = 8a$	
Ø Bar 125-140 -> $d_b = 8a$	
Ø Bar 140-160 -> $d_b = 8a$	
Ø Bar 160-180 -> $d_b = 8a$	
Ø Bar 180-200 -> $d_b = 8a$	
Ø Bar 200-220 -> $d_b = 8a$	
Ø Bar 220-250 -> $d_b = 8a$	
Ø Bar 250-280 -> $d_b = 8a$	
Ø Bar 280-315 -> $d_b = 8a$	
Ø Bar 315-360 -> $d_b = 8a$	
Ø Bar 360-400 -> $d_b = 8a$	
Ø Bar 400-450 -> $d_b = 8a$	
Ø Bar 450-500 -> $d_b = 8a$	
Ø Bar 500-560 -> $d_b = 8a$	
Ø Bar 560-630 -> $d_b = 8a$	
Ø Bar 630-700 -> $d_b = 8a$	
Ø Bar 700-780 -> $d_b = 8a$	
Ø Bar 780-850 -> $d_b = 8a$	
Ø Bar 850-930 -> $d_b = 8a$	
Ø Bar 930-1000 -> $d_b = 8a$	
Ø Bar 1000-1100 -> $d_b = 8a$	
Ø Bar 1100-1200 -> $d_b = 8a$	
Ø Bar 1200-1300 -> $d_b = 8a$	
Ø Bar 1300-1400 -> $d_b = 8a$	
Ø Bar 1400-1500 -> $d_b = 8a$	
Ø Bar 1500-1600 -> $d_b = 8a$	
Ø Bar 1600-1700 -> $d_b = 8a$	
Ø Bar 1700-1800 -> $d_b = 8a$	
Ø Bar 1800-1900 -> $d_b = 8a$	
Ø Bar 1900-2000 -> $d_b = 8a$	
Ø Bar 2000-2200 -> $d_b = 8a$	
Ø Bar 2200-2400 -> $d_b = 8a$	
Ø Bar 2400-2600 -> $d_b = 8a$	
Ø Bar 2600-2800 -> $d_b = 8a$	
Ø Bar 2800-3000 -> $d_b = 8a$	
Ø Bar 3000-3200 -> $d_b = 8a$	
Ø Bar 3200-3400 -> $d_b = 8a$	
Ø Bar 3400-3600 -> $d_b = 8a$	
Ø Bar 3600-3800 -> $d_b = 8a$	
Ø Bar 3800-4000 -> $d_b = 8a$	
Ø Bar 4000-4200 -> $d_b = 8a$	
Ø Bar 4200-4400 -> $d_b = 8a$	
Ø Bar 4400-4600 -> $d_b = 8a$	
Ø Bar 4600-4800 -> $d_b = 8a$	
Ø Bar 4800-5000 -> $d_b = 8a$	
Ø Bar 5000-5200 -> $d_b = 8a$	
Ø Bar 5200-5400 -> $d_b = 8a$	
Ø Bar 5400-5600 -> $d_b = 8a$	
Ø Bar 5600-5800 -> $d_b = 8a$	
Ø Bar 5800-6000 -> $d_b = 8a$	
Ø Bar 6000-6200 -> $d_b = 8a$	
Ø Bar 6200-6400 -> $d_b = 8a$	
Ø Bar 6400-6600 -> $d_b = 8a$	
Ø Bar 6600-6800 -> $d_b = 8a$	
Ø Bar 6800-7000 -> $d_b = 8a$	
Ø Bar 7000-7200 -> $d_b = 8a$	
Ø Bar 7200-7400 -> $d_b = 8a$	
Ø Bar 7400-7600 -> $d_b = 8a$	
Ø Bar 7600-7800 -> $d_b = 8a$	
Ø Bar 7800-8000 -> $d_b = 8a$	
Ø Bar 8000-8200 -> $d_b = 8a$	
Ø Bar 8200-8400 -> $d_b = 8a$	
Ø Bar 8400-8600 -> $d_b = 8a$	
Ø Bar 8600-8800 -> $d_b = 8a$	
Ø Bar 8800-9000 -> $d_b = 8a$	
Ø Bar 9000-9200 -> $d_b = 8a$	
Ø Bar 9200-9400 -> $d_b = 8a$	
Ø Bar 9400-9600 -> $d_b = 8a$	
Ø Bar 9600-9800 -> $d_b = 8a$	
Ø Bar 9800-10000 -> $d_b = 8a$	
Ø Bar 10000-10200 -> $d_b = 8a$	
Ø Bar 10200-10400 -> $d_b = 8a$	
Ø Bar 10400-10600 -> $d_b = 8a$	
Ø Bar 10600-10800 -> $d_b = 8a$	
Ø Bar 10800-11000 -> $d_b = 8a$	
Ø Bar 11000-11200 -> $d_b = 8a$	
Ø Bar 11200-11400 -> $d_b = 8a$	
Ø Bar 11400-11600 -> $d_b = 8a$	
Ø Bar 11600-11800 -> $d_b = 8a$	
Ø Bar 11800-12000 -> $d_b = 8a$	
Ø Bar 12000-12200 -> $d_b = 8a$	
Ø Bar 12200-12400 -> $d_b = 8a$	
Ø Bar 12400-12600 -> $d_b = 8a$	
Ø Bar 12600-12800 -> $d_b = 8a$	
Ø Bar 12800-13000 -> $d_b = 8a$	
Ø Bar 13000-13200 -> $d_b = 8a$	
Ø Bar 13200-13400 -> $d_b = 8a$	
Ø Bar 13400-13600 -> $d_b = 8a$	
Ø Bar 13600-13800 -> $d_b = 8a$	
Ø Bar 13800-14000 -> $d_b = 8a$	
Ø Bar 14000-14200 -> $d_b = 8a$	
Ø Bar 14200-14400 -> $d_b = 8a$	
Ø Bar 14400-14600 -> $d_b = 8a$	
Ø Bar 14600-14800 -> $d_b = 8a$	
Ø Bar 14800-15000 -> $d_b = 8a$	
Ø Bar 15000-15200 -> $d_b = 8a$	
Ø Bar 15200-15400 -> $d_b = 8a$	
Ø Bar 15400-15600 -> $d_b = 8a$	
Ø Bar 15600-15800 -> $d_b = 8a$	
Ø Bar 15800-16000 -> $d_b = 8a$	
Ø Bar 16000-16200 -> $d_b = 8a$	
Ø Bar 16200-16400 -> $d_b = 8a$	
Ø Bar 16400-16600 -> $d_b = 8a$	
Ø Bar 16600-16800 -> $d_b = 8a$	
Ø Bar 16800-17000 -> $d_b = 8a$	
Ø Bar 17000-17200 -> $d_b = 8a$	
Ø Bar 17200-17400 -> $d_b = 8a$	
Ø Bar 17400-17600 -> $d_b = 8a$	
Ø Bar 17600-17800 -> $d_b = 8a$	
Ø Bar 17800-18000 -> $d_b = 8a$	
Ø Bar 18000-18200 -> $d_b = 8a$	
Ø Bar 18200-18400 -> $d_b = 8a$	
Ø Bar 18400-18600 -> $d_b = 8a$	
Ø Bar 18600-18800 -> $d_b = 8a$	
Ø Bar 18800-19000 -> $d_b = 8a$	
Ø Bar 19000-19200 -> $d_b = 8a$	
Ø Bar 19200-19400 -> $d_b = 8a$	
Ø Bar 19400-19600 -> $d_b = 8a$	
Ø Bar 19600-19800 -> $d_b = 8a$	
Ø Bar 19800-20000 -> $d_b = 8a$	
Ø Bar 20000-20200 -> $d_b = 8a$	
Ø Bar 20200-20400 -> $d_b = 8a$	
Ø Bar 20400-20600 -> $d_b = 8a$	
Ø Bar 20600-20800 -> $d_b = 8a$	
Ø Bar 20800-21000 -> $d_b = 8a$	
Ø Bar 21000-21200 -> $d_b = 8a$	
Ø Bar 21200-21400 -> $d_b = 8a$	
Ø Bar 21400-21600 -> $d_b = 8a$	
Ø Bar 21600-21800 -> $d_b = 8a$	
Ø Bar 21800-22000 -> $d_b = 8a$	
Ø Bar 22000-22200 -> $d_b = 8a$	
Ø Bar 22200-22400 -> $d_b = 8a$	
Ø Bar 22400-22600 -> $d_b = 8a$	
Ø Bar 22600-22800 -> $d_b = 8a$	
Ø Bar 22800-23000 -> $d_b = 8a$	
Ø Bar 23000-23200 -> $d_b = 8a$	
Ø Bar 23200-23400 -> $d_b = 8a$	
Ø Bar 23400-23600 -> $d_b = 8a$	
Ø Bar 23600-23800 -> $d_b = 8a$	
Ø Bar 23800-24000 -> $d_b = 8a$	
Ø Bar 24000-24200 -> $d_b = 8a$	
Ø Bar 24200-24400 -> $d_b = 8a$	
Ø Bar 24400-24600 -> $d_b = 8a$	
Ø Bar 24600-24800 -> $d_b = 8a$	
Ø Bar 24800-25000 -> $d_b = 8a$	
Ø Bar 25000-25200 -> $d_b = 8a$	
Ø Bar 25200-25400 -> $d_b = 8a$	
Ø Bar 25400-25600 -> $d_b = 8a$	
Ø Bar 25600-25800 -> $d_b = 8a$	
Ø Bar 25800-26000 -> $d_b = 8a$	
Ø Bar 26000-26200 -> $d_b = 8a$	
Ø Bar 26200-26400 -> $d_b = 8a$	
Ø Bar 26400-26600 -> $d_b = 8a$	
Ø Bar 26600-26800 -> $d_b = 8a$	
Ø Bar 26800-27000 -> $d_b = 8a$	
Ø Bar 27000-27200 -> $d_b = 8a$	
Ø Bar 27200-27400 -> $d_b = 8a$	
Ø Bar 27400-27600 -> $d_b = 8a$	
Ø Bar 27600-27800 -> $d_b = 8a$	
Ø Bar 27800-28000 -> $d_b = 8a$	
Ø Bar 28000-28200 -> $d_b = 8a$	
Ø Bar 28200-28400 -> $d_b$	