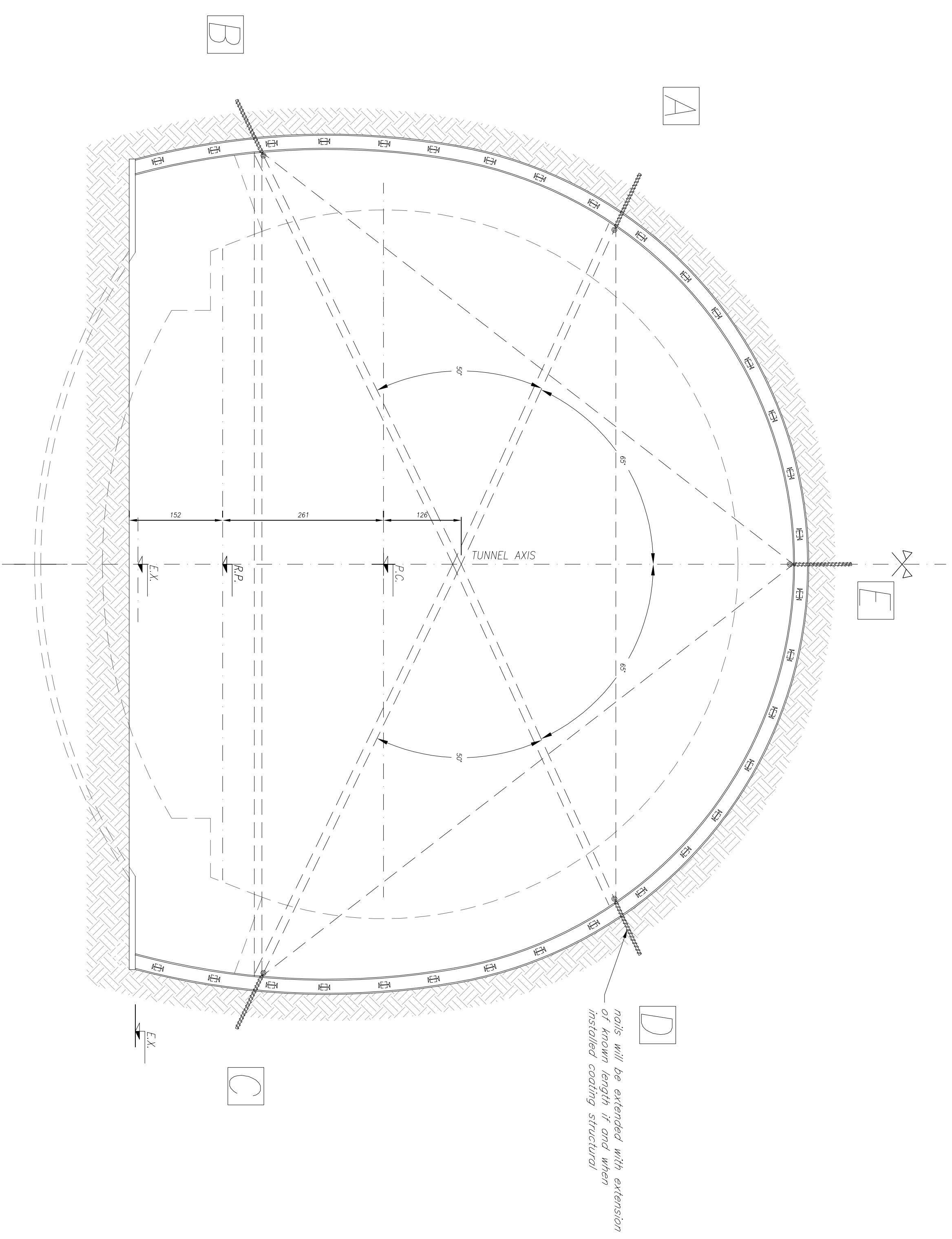
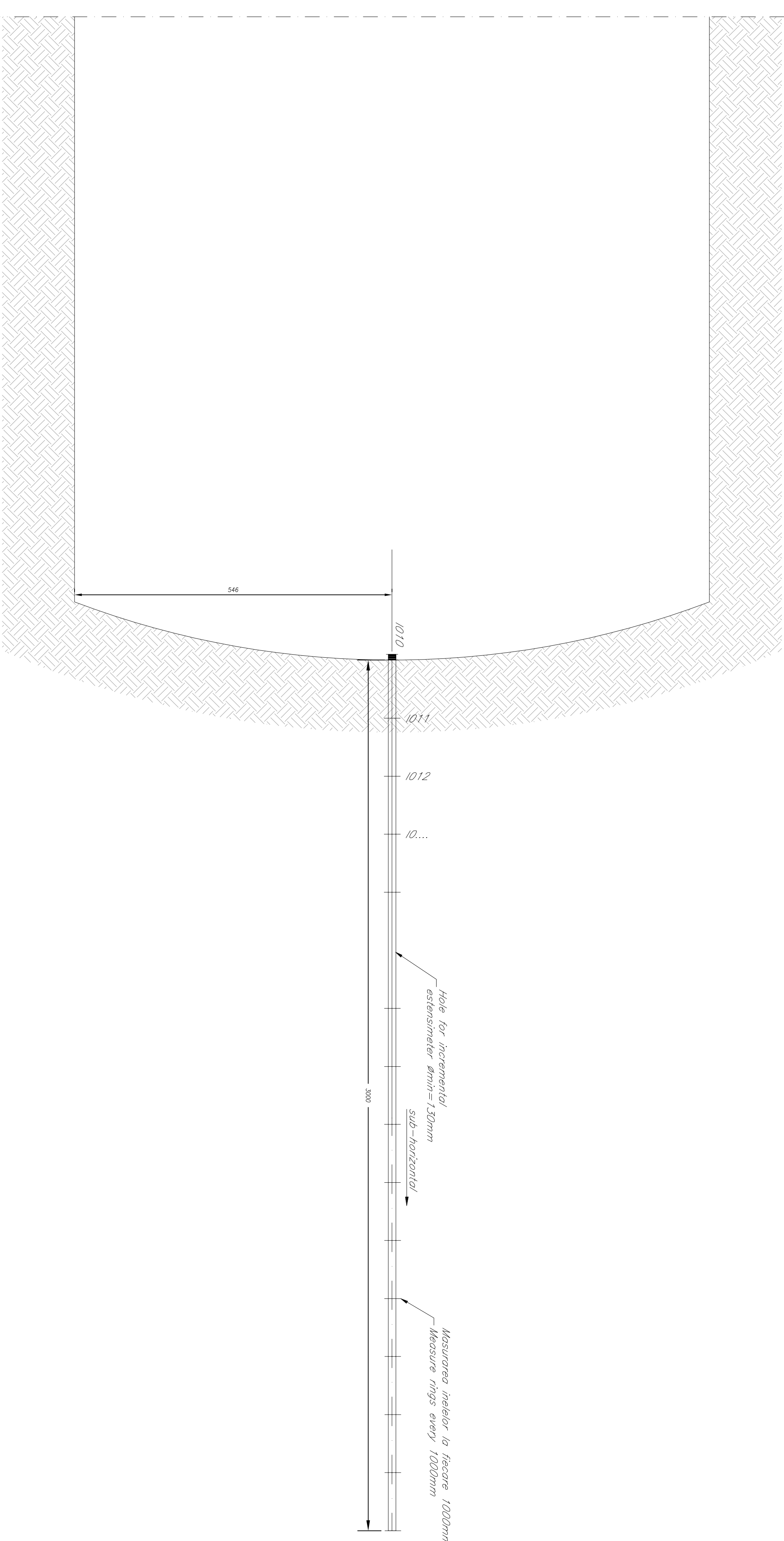


SECTION TYPE "EC"
SECTION TYPE "EC"
Scale/Scara 1:50



SECTION TYPE "EF"
SECTION TYPE "EF"
Scale/Scara 1:50



SECTION LEGEND AND INSTRUMENT TYPE

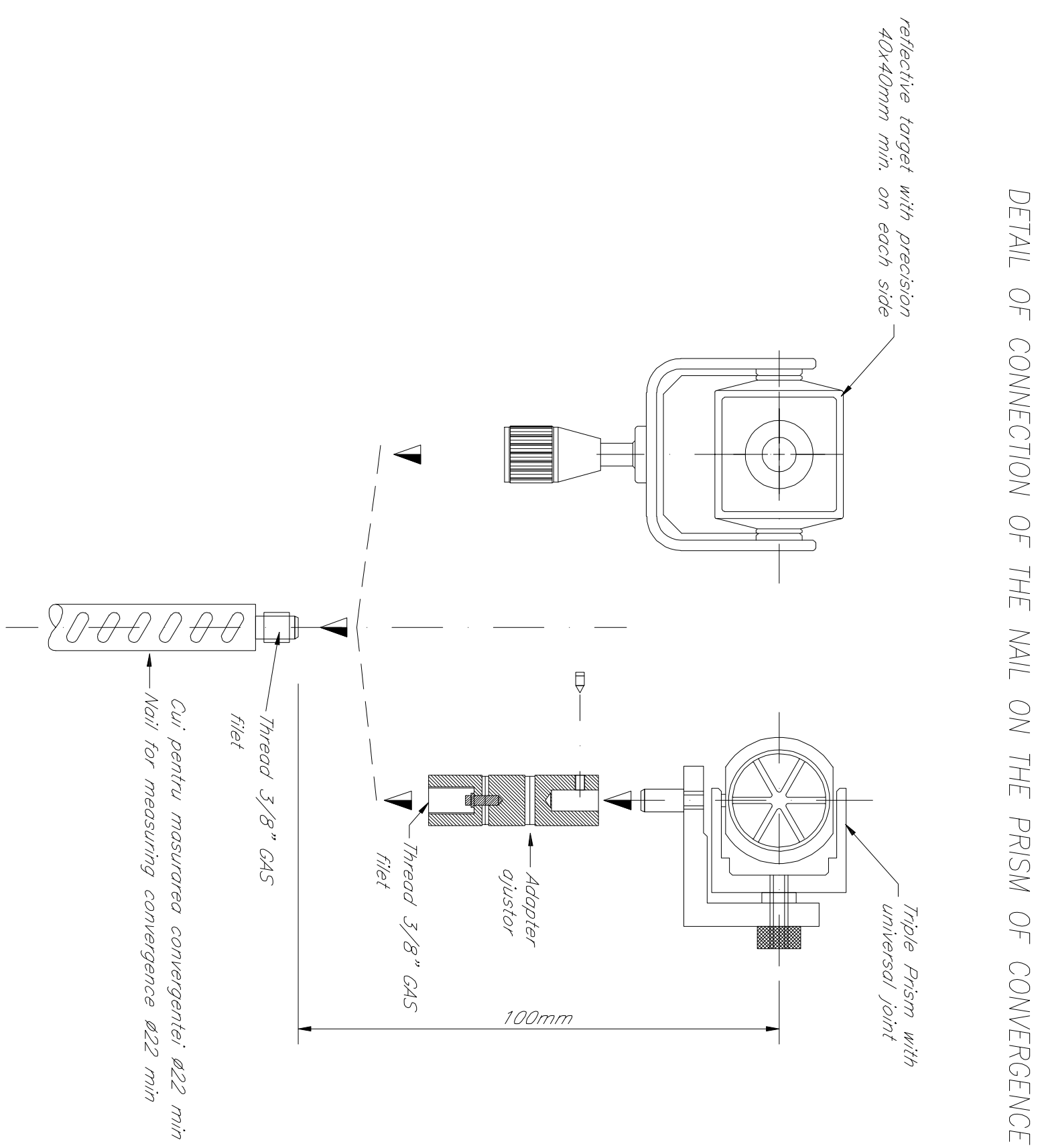
POINT FOR THE MEASUREMENT OF CONVERGENCE AND THE SURVEY PLANNING AND ALIGNMENT
 MEASURES OF CONVERGENCE OF OPTICAL BEAMS
 MEASURES OF CONVERGENCE MAY BE OBTAINED THROUGH THE USE OF DISTOMETERS FOR

NOTE:

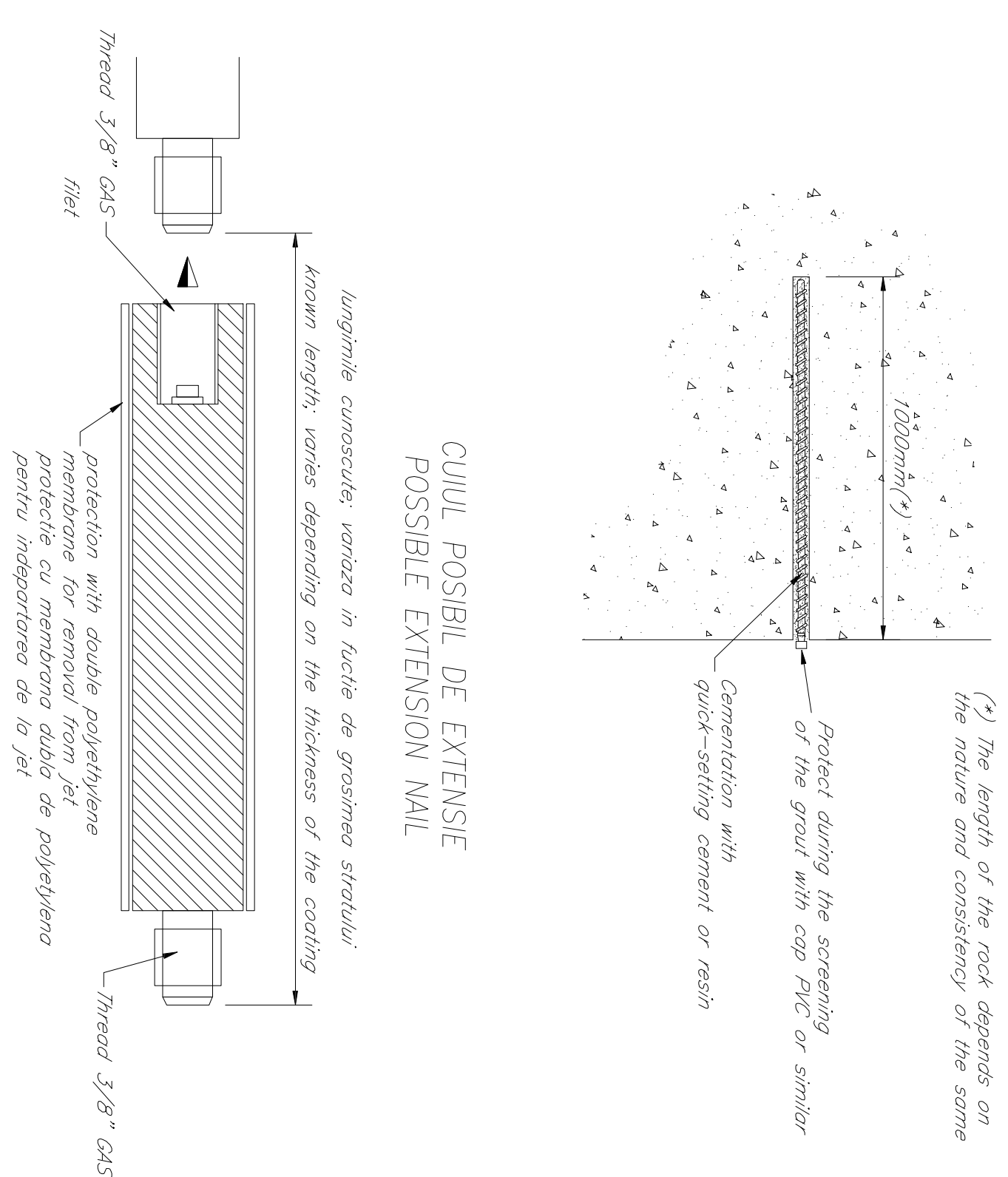
- ALL SIZES ARE IN MILLIMETERS UNLESS SPECIFIED
- THE POSITION OF POINTS FOR MEASURING CONVERGENCE WILL BE DETERMINED BY THE POSSIBILITY OF BACKSIGHT LINE ESTABLISHMENT
- THE POINTS FOR MEASURING CONVERGENCE WILL BE SET IN STONE OR ALUMINUM
- IN SPECIAL CASES, THE LENGTH OF SECTION STEEL RODS MAY BE REDUCED TO 150 mm WHERE THE POINT MUST BE SET AT THE END OF THE SECTION
- PLUMBING DETAILS AND DETAILS OF INSTALLATION ARE APPROXIMATE AND MUST BE CORRECTED BY THE CONTRACTOR BEFORE THE START OF CONSTRUCTION PROJECT

Instrumente cheie și sectionate tip
010

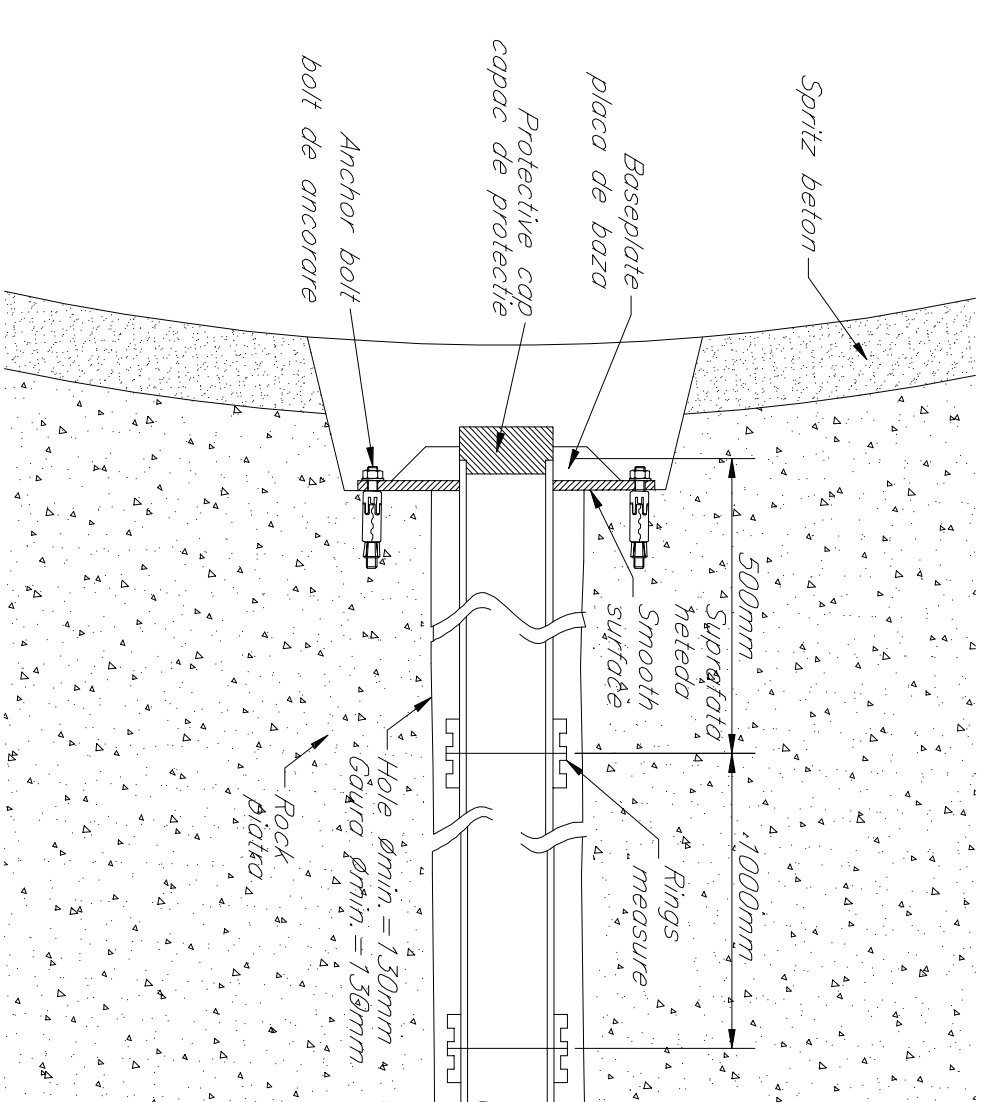
DETAILS INSTRUMENTATION
DETALIE APARATURII



DETAIL OF CONNECTION OF THE NAIL ON THE PRISM OF CONVERGENCE



NAIL CONCRETE IN ROCK HARDENED



HEAD DETAIL INCREMENTAL STRAIN GAUGES

LEGEND

RP = REFERENCE PLANE
EX = EXCAVATION PLANE
PC = CENTERS PLANE

0					
1					
2					
3					
4					
5					
6					
7					
8					
9					

CLIENT / CLIENT		CFR		C.N.C.F. "C.F.R." - S.A.	
CONSULTANT / CONSULTANT		TECNIC		CONSULTANT / SUBCONSULTANT	
Approved	Project Manager	Approved	Project Manager	Approved	Project Manager
Author	Author	Author	Author	Author	Author
Verificator	Verificator	Verificator	Verificator	Verificator	Verificator
Elaborator	Elaborator	Elaborator	Elaborator	Elaborator	Elaborator

Conditiuni / Conditions System	Starea / State	LOT	Nr./No
E A 5 1	0 1	C 1 4	W Z
G N	0 3	0	0 0 1