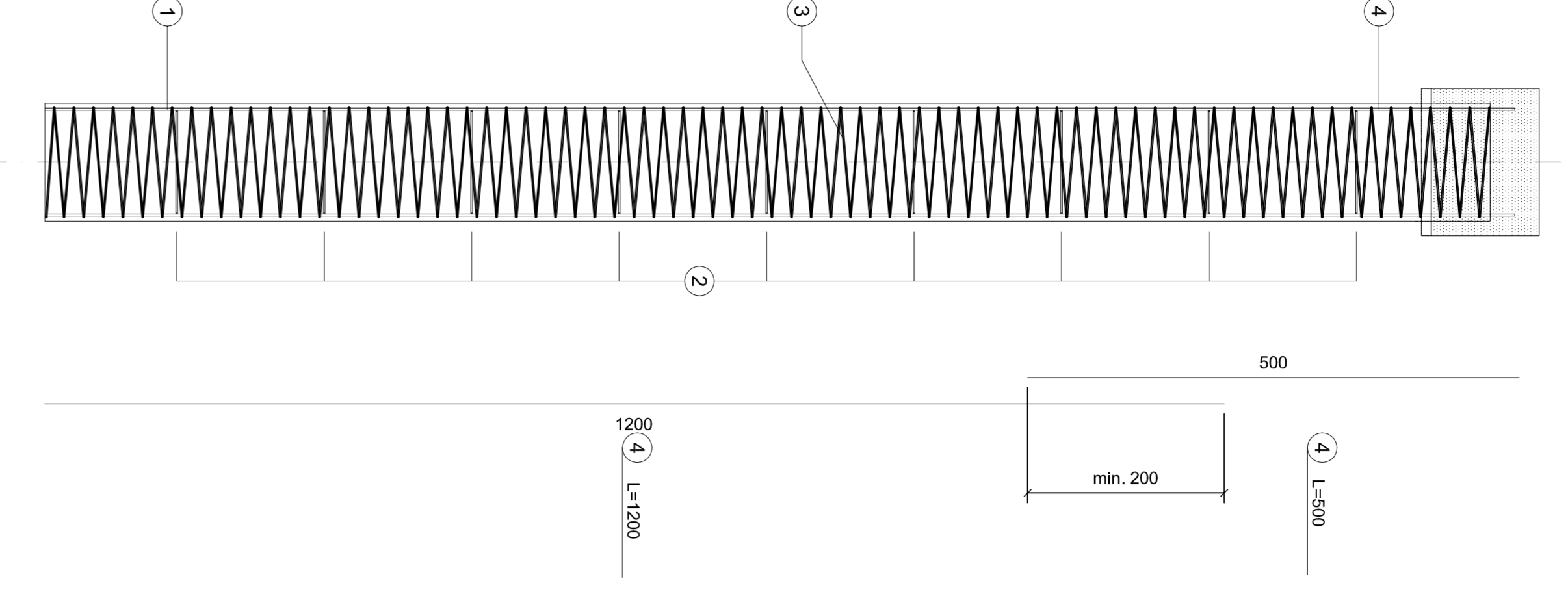
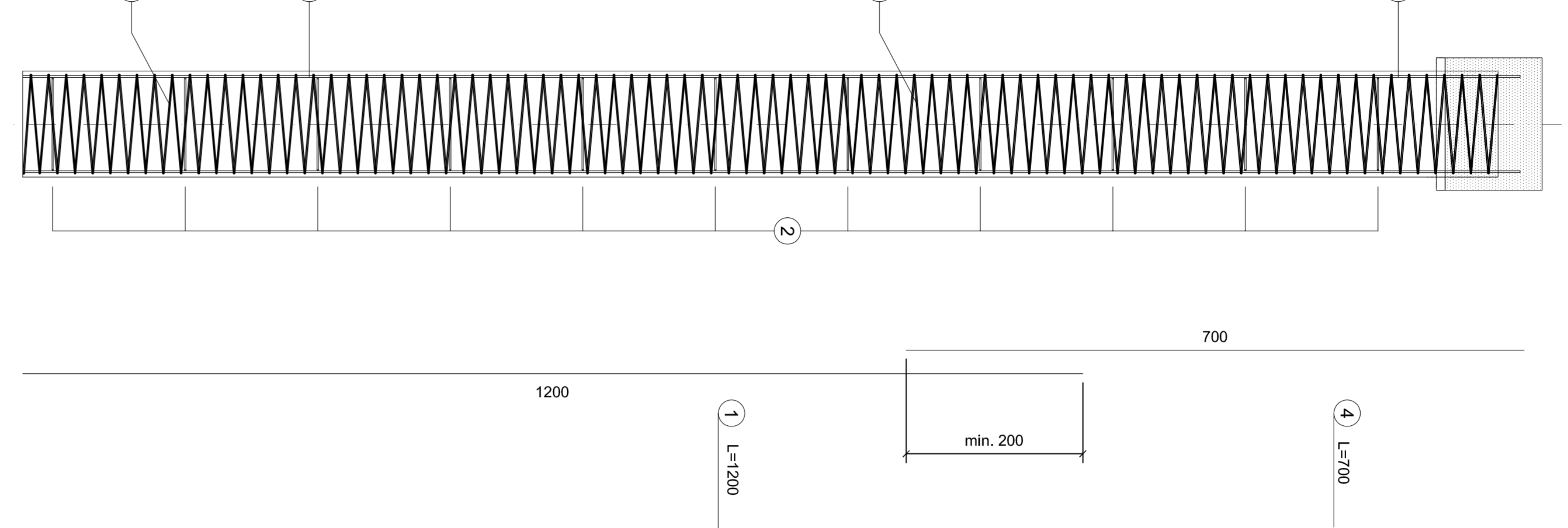


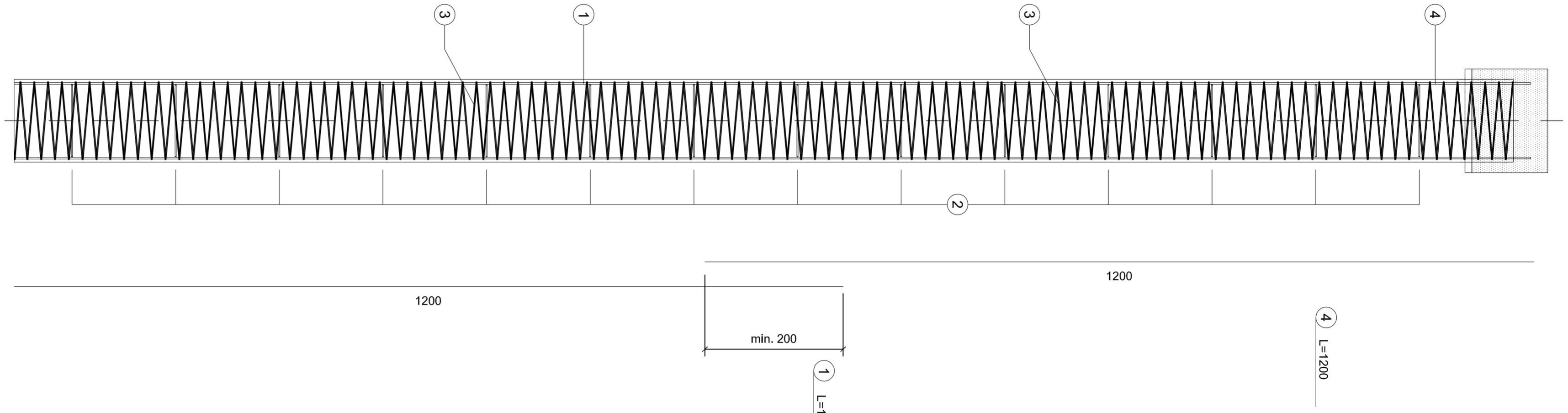
PILES WALL/PILA  
Ø1200/1.30m  
H=15.00m Scale/Scale 1:50



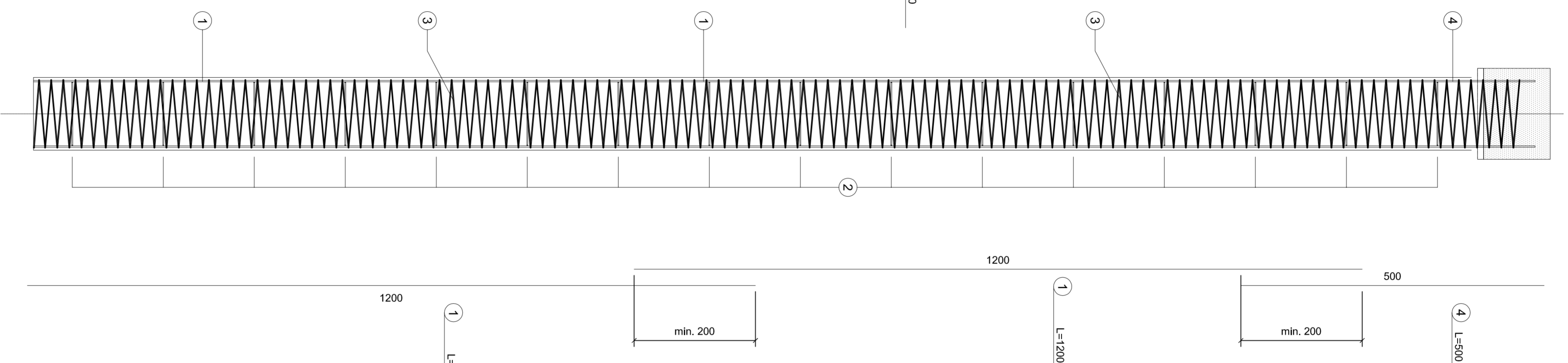
PILES WALL/PILA  
Ø1200/1.30m  
H=17.00m Scale/Scale 1:50



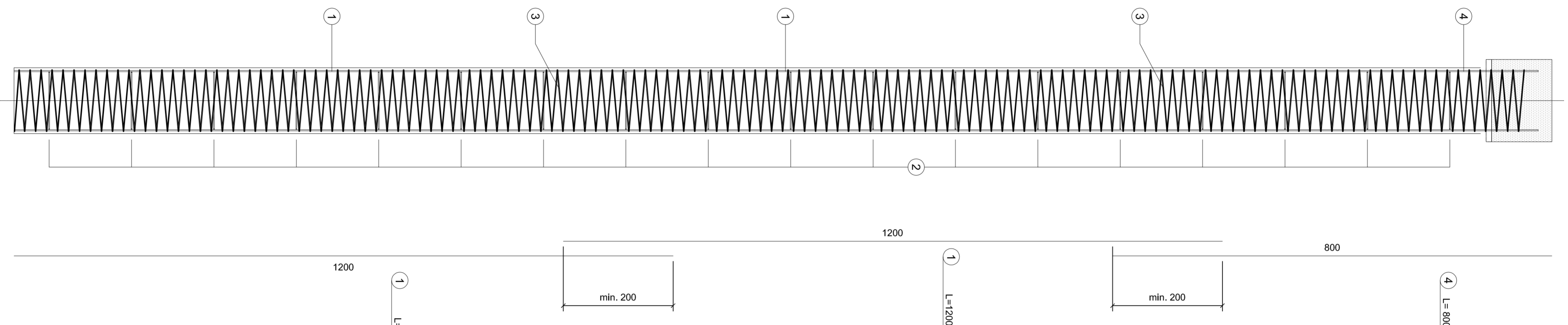
PILES WALL/PILA  
Ø1200/1.30m  
H=22.00m Scale/Scale 1:50



PILES WALL/PILA  
Ø1200/1.30m  
H=25.00m Scale/Scale 1:50



PILES WALL/PILA  
Ø1200/1.30m  
H=28.00m Scale/Scale 1:50



POS.	Ø [mm]	FORM	LENGHT [cm]
1	14	180	1200 20
2	20	Ø36	345 9
3	12	Ø36	348 75
4	20	100/1000	500 26

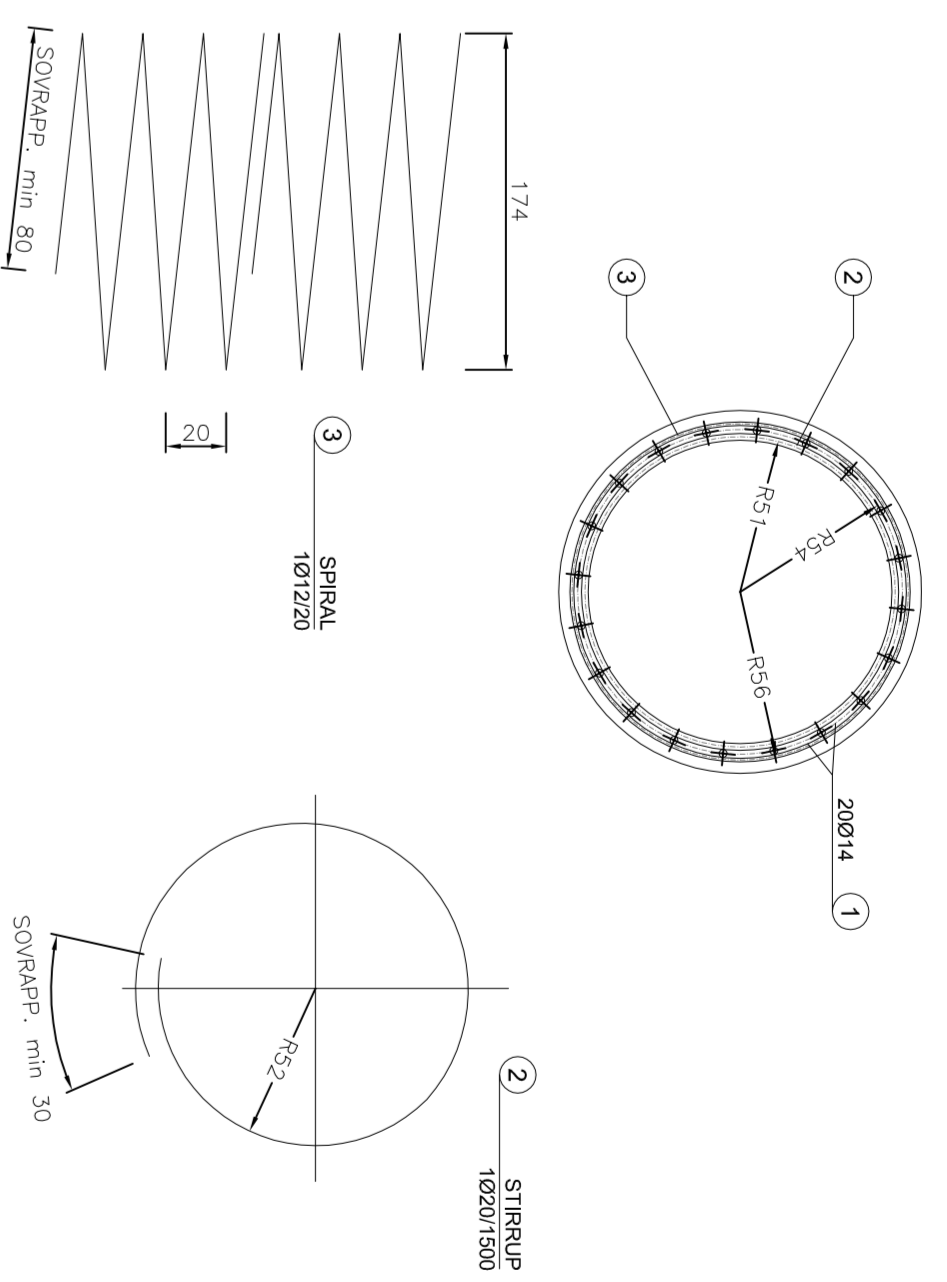
POS.	Ø [mm]	FORM	LENGHT [cm]
1	16	180	1200 20
2	20	Ø36	345 11
3	12	Ø36	348 83
4	20	100/1000	700 26

POS.	Ø [mm]	FORM	LENGHT [cm]
1	20	180	1200 26
2	20	Ø36	345 14
3	12	Ø36	348 109
4	16	100/1000	1200 20

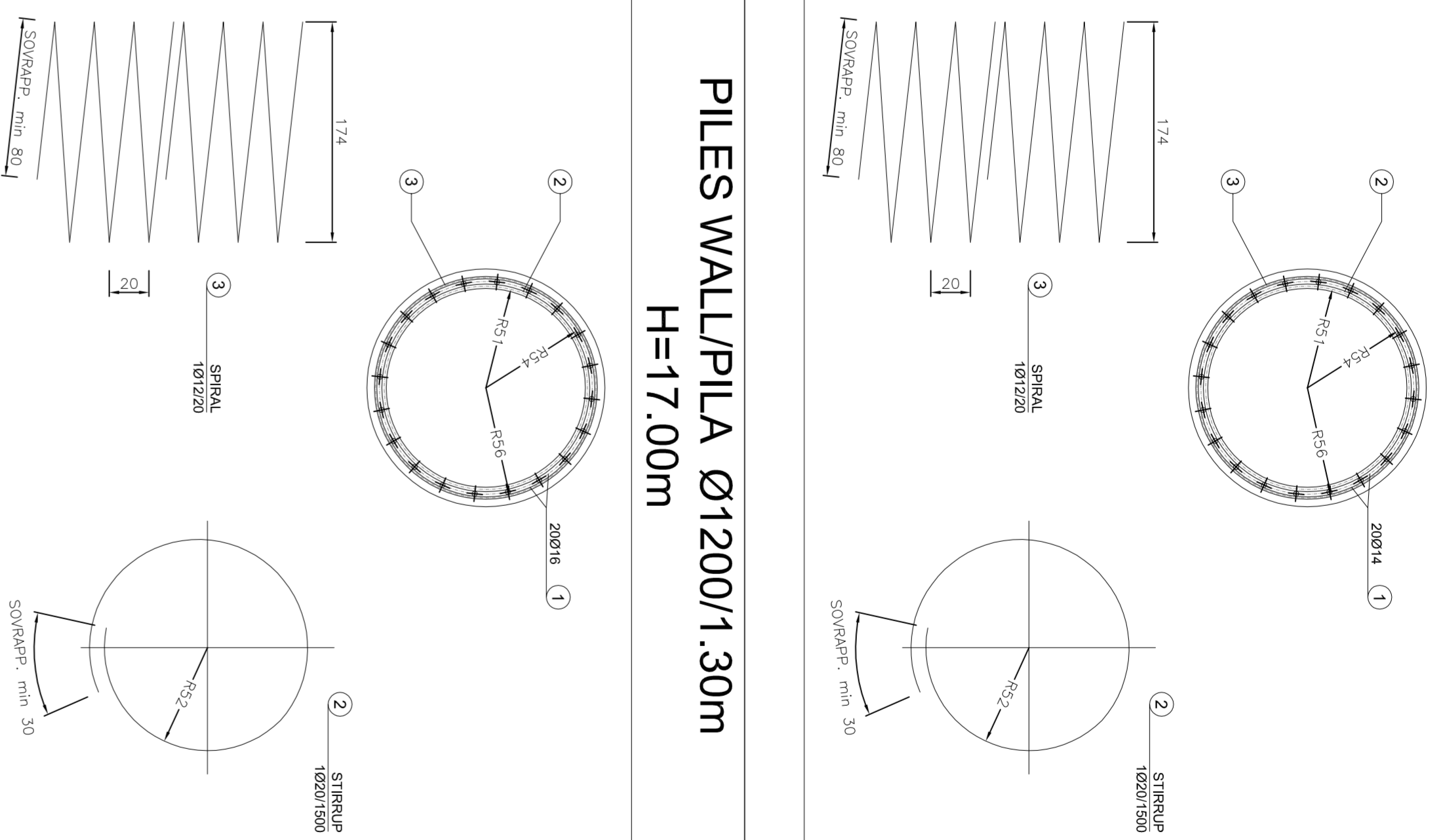
POS.	Ø [mm]	FORM	LENGHT [cm]
1	26	180	1200 30
2	20	Ø36	345 16
3	12	Ø36	348 122
4	26	100/1000	510 35

POS.	Ø [mm]	FORM	LENGHT [cm]
1	26	180	1200 35
2	20	Ø36	345 18
3	14	Ø36	348 137
4	26	100/1000	800 35

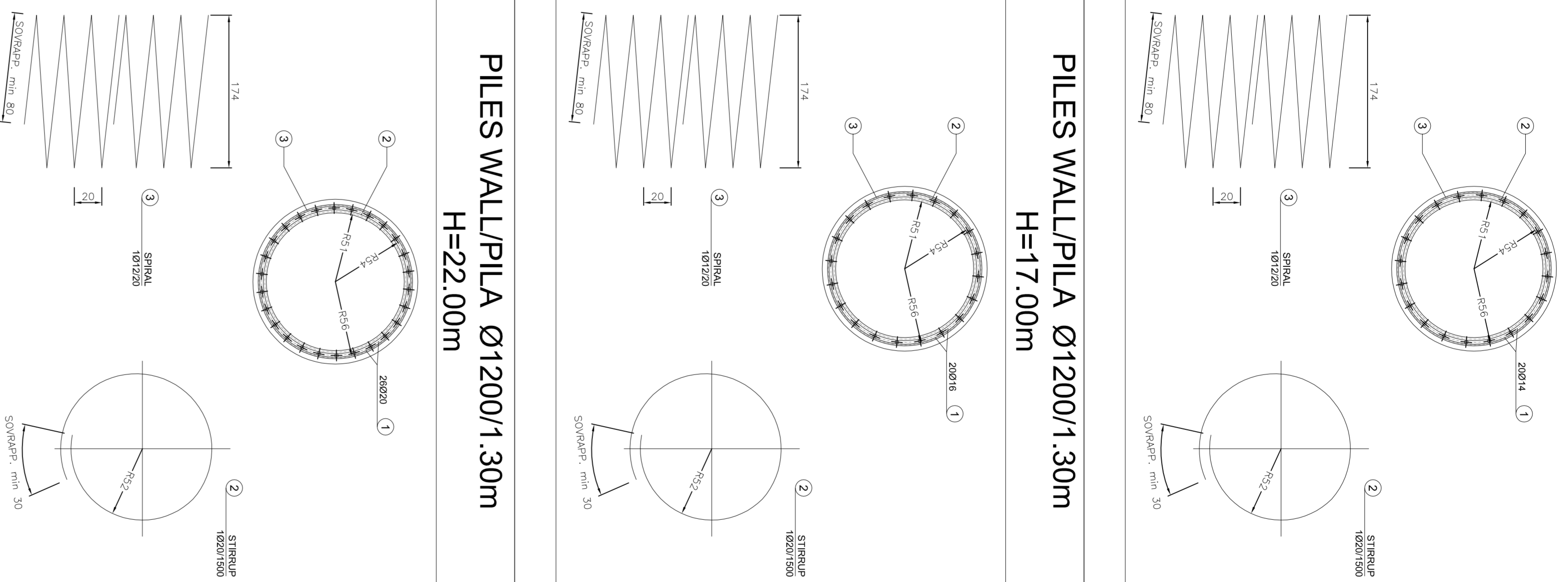
PILES WALL/PILA Ø1200/1.30m  
H=15.00m



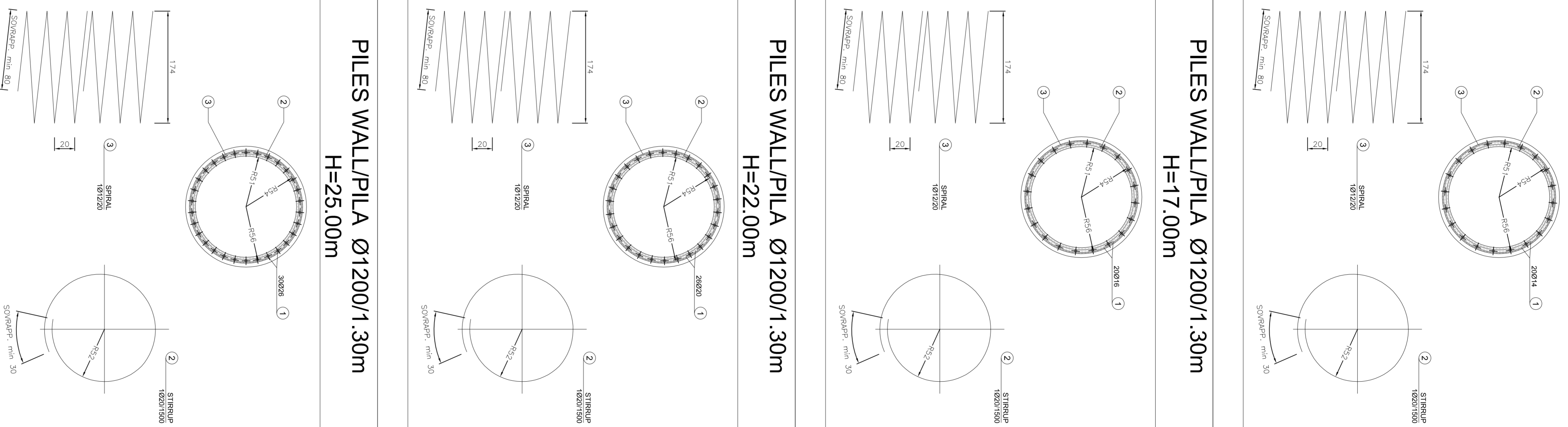
PILES WALL/PILA Ø1200/1.30m  
H=17.00m



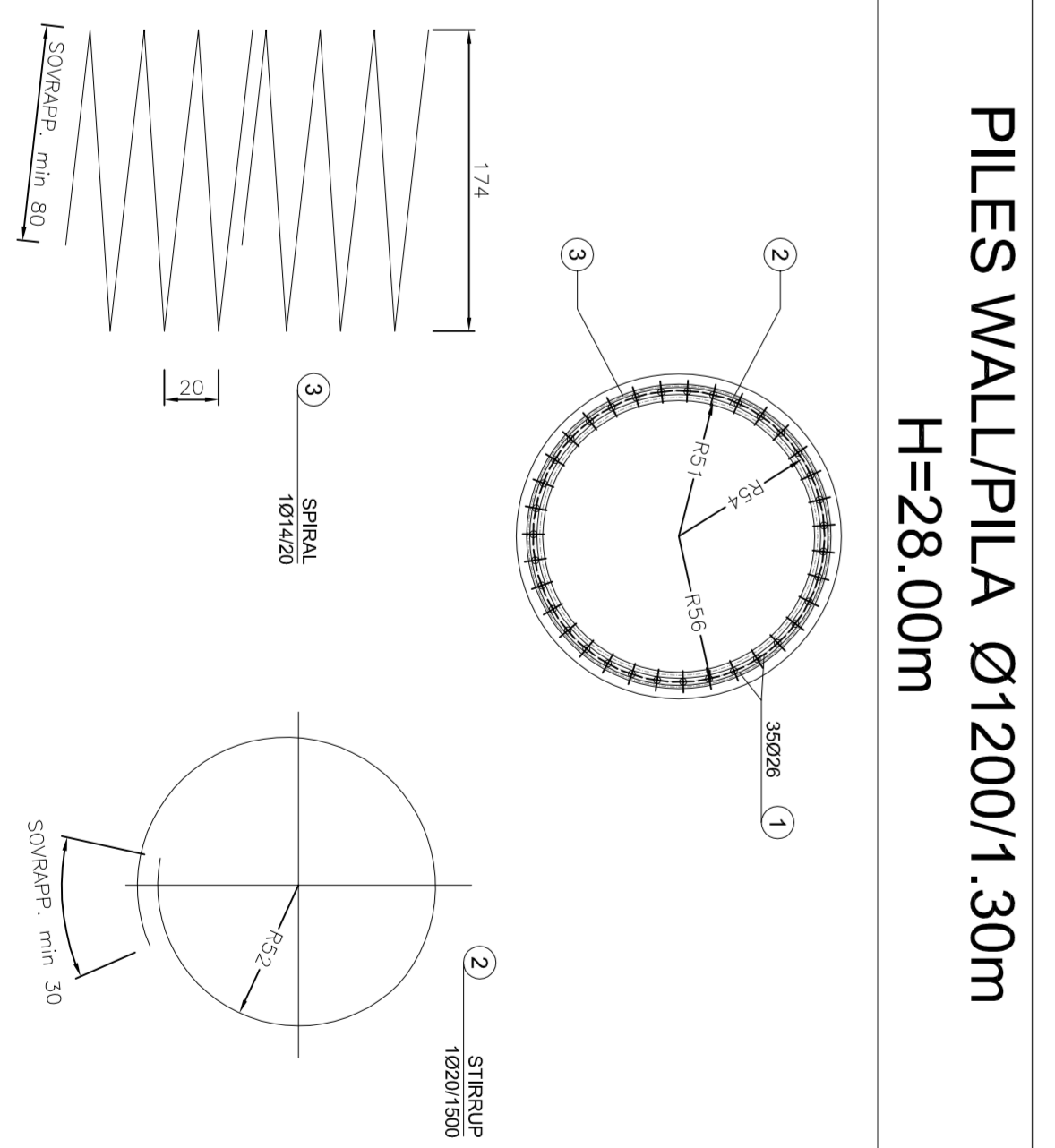
PILES WALL/PILA Ø1200/1.30m  
H=22.00m



PILES WALL/PILA Ø1200/1.30m  
H=25.00m



PILES WALL/PILA Ø1200/1.30m  
H=28.00m



STEELS TABLE

REINFORCING STEEL	Legend measures:
B450C (madedab)	
Bending diameter $d_b$	
Bar $\leq d_{20} \rightarrow d_b = 6d$	
Bar $> d_{20} \rightarrow d_b = 6d$	

MATERIAL TABLE

CONCRETE PILE:
- Type H4
- $d_k > 25$ Min 9g
- Min 10g/centimetro - Ø150
- Min 10g/centimetro - Ø175
- Min 10g/centimetro - Ø200
- Min 10g/centimetro - Ø225
- Min 10g/centimetro - Ø250
- Min 10g/centimetro - Ø275
- Min 10g/centimetro - Ø300
- Min 10g/centimetro - Ø325
- Min 10g/centimetro - Ø350
- Min 10g/centimetro - Ø375
- Min 10g/centimetro - Ø400
- Min 10g/centimetro - Ø425
- Min 10g/centimetro - Ø450
- Min 10g/centimetro - Ø475
- Min 10g/centimetro - Ø500

CONCRETE CORE:

- Type H4, 10g
- Min 10g/centimetro - Ø150
- Min 10g/centimetro - Ø175
- Min 10g/centimetro - Ø200
- Min 10g/centimetro - Ø225
- Min 10g/centimetro - Ø250
- Min 10g/centimetro - Ø275
- Min 10g/centimetro - Ø300
- Min 10g/centimetro - Ø325
- Min 10g/centimetro - Ø350
- Min 10g/centimetro - Ø375
- Min 10g/centimetro - Ø400
- Min 10g/centimetro - Ø425
- Min 10g/centimetro - Ø450
- Min 10g/centimetro - Ø475
- Min 10g/centimetro - Ø500

REINFORCING STEEL:

- Min 10g/centimetro - Ø150
- Min 10g/centimetro - Ø175
- Min 10g/centimetro - Ø200
- Min 10g/centimetro - Ø225
- Min 10g/centimetro - Ø250
- Min 10g/centimetro - Ø275
- Min 10g/centimetro - Ø300
- Min 10g/centimetro - Ø325
- Min 10g/centimetro - Ø350
- Min 10g/centimetro - Ø375
- Min 10g/centimetro - Ø400
- Min 10g/centimetro - Ø425
- Min 10g/centimetro - Ø450
- Min 10g/centimetro - Ø475
- Min 10g/centimetro - Ø500

LEAN CONCRETE:

- Type 1
- $d_k > 12$  Min IV
- Min 10g/centimetro - Ø150
- Min 10g/centimetro - Ø175
- Min 10g/centimetro - Ø200
- Min 10g/centimetro - Ø225
- Min 10g/centimetro - Ø250
- Min 10g/centimetro - Ø275
- Min 10g/centimetro - Ø300
- Min 10g/centimetro - Ø325
- Min 10g/centimetro - Ø350
- Min 10g/centimetro - Ø375
- Min 10g/centimetro - Ø400
- Min 10g/centimetro - Ø425
- Min 10g/centimetro - Ø450
- Min 10g/centimetro - Ø475
- Min 10g/centimetro - Ø500

CLIENT / CLIENT: CN.C.F. "C.F.R." - S.A.

CONSULTANT / CONSULTANT: TECHNIO CONSULTING S.R.L.

Index	Data	Validation	Signature	Date	Stamp
A	Director	Director	R. LUTZA		
B	Project Manager	Project Manager	C. GHIRIBELLI		
C	Technical Director	Technical Director	C. GHIRIBELLI		
D	Author	Author	C. GHIRIBELLI		

PROIECT / PROJECT: ARCAPIETA 2 TUNNEL