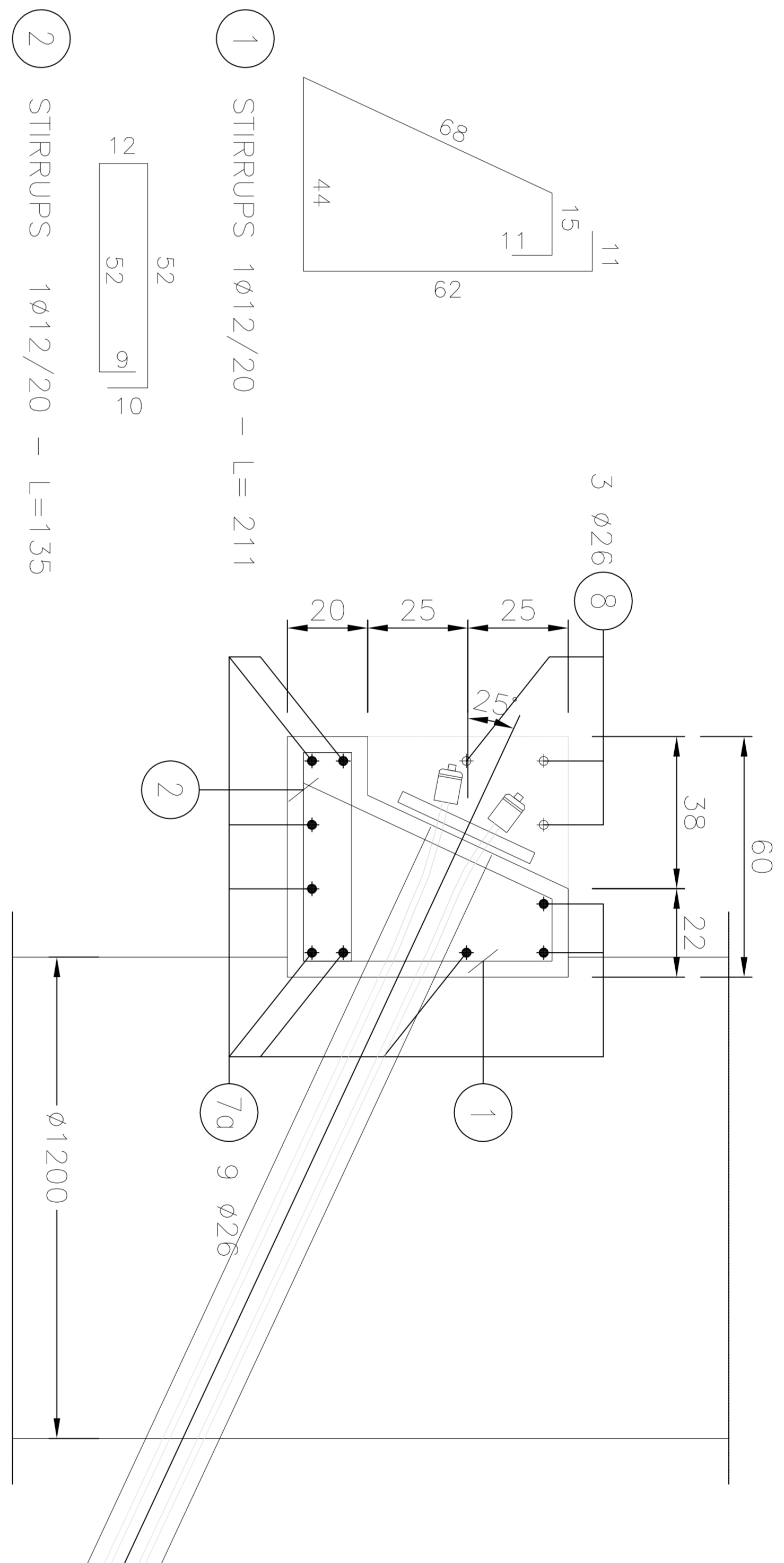
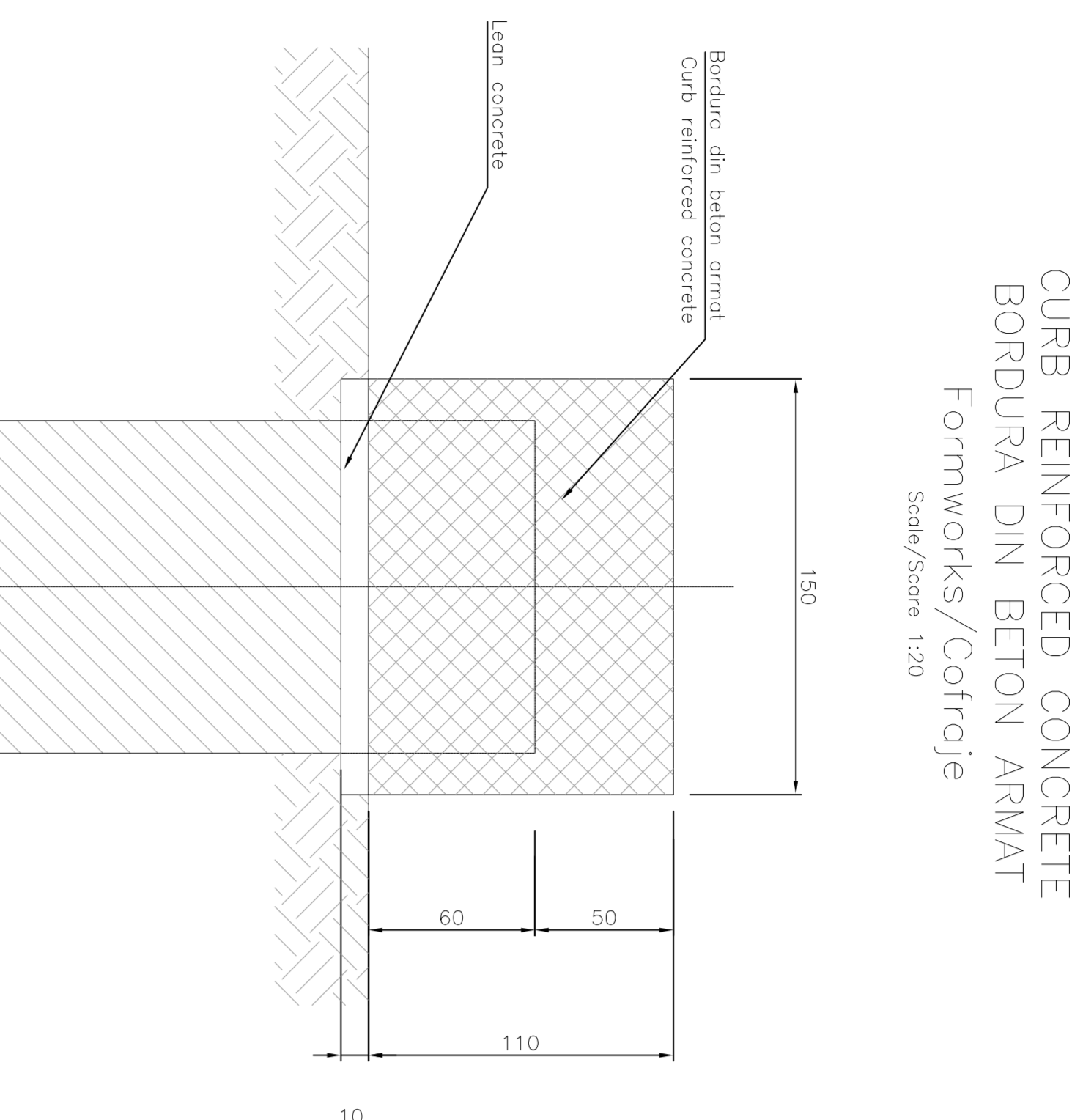
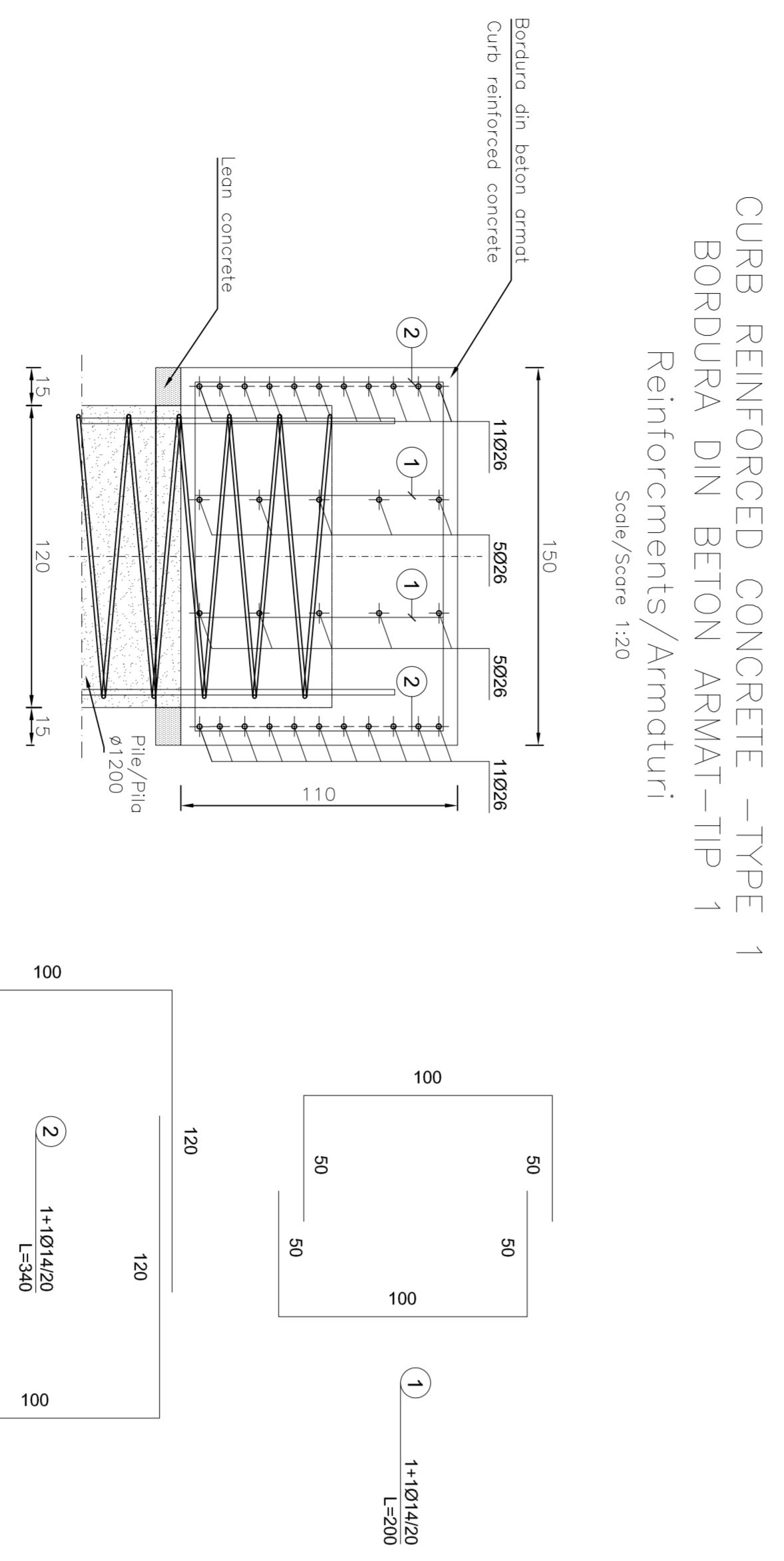
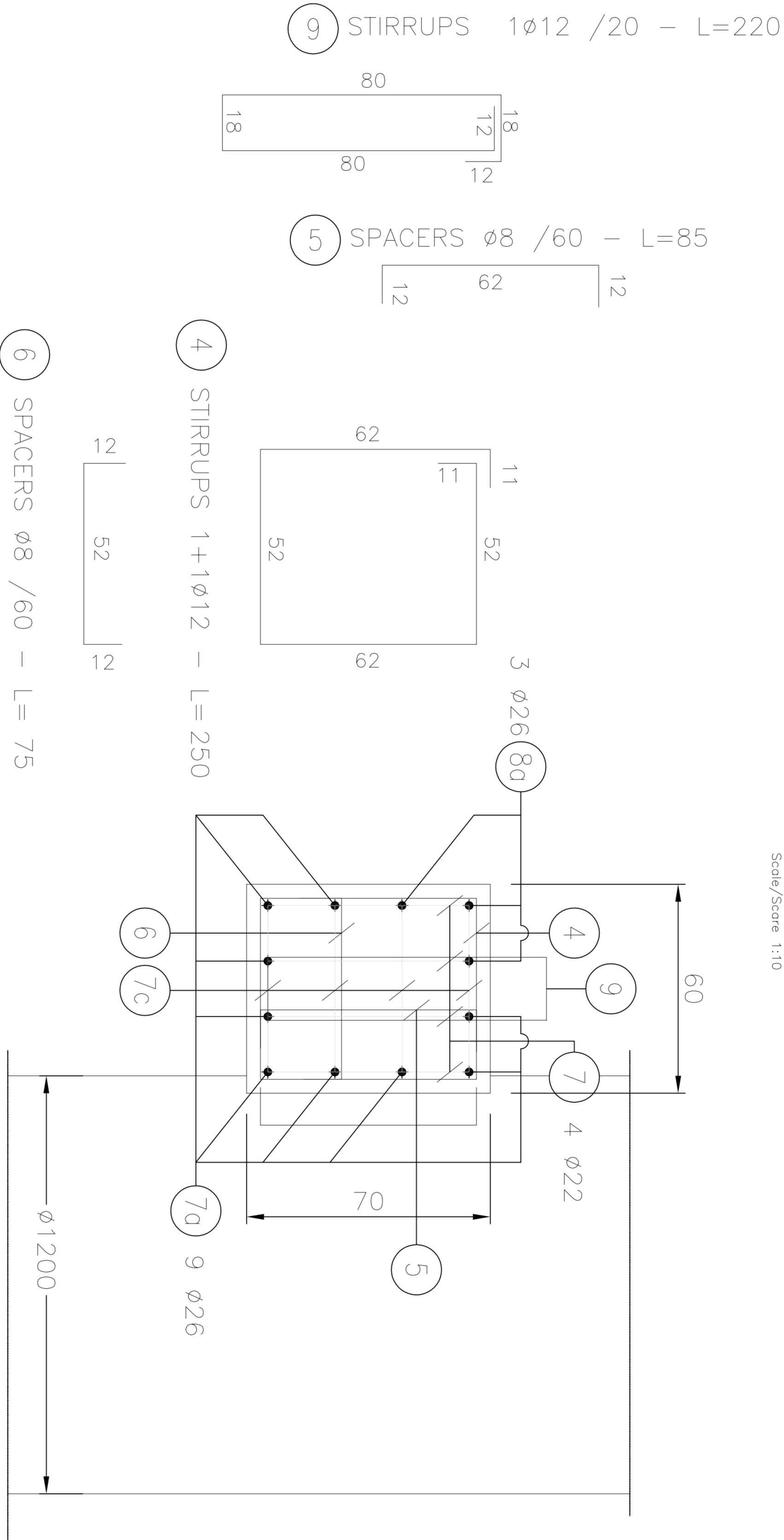


CURB REINFORCED CONCRETE WITH TENDONS-TYPE 2
BORDURA DIN BETON ARMAT CU FRĂNGHIE-TIP 2
 Reinforcements/Armături
 Scale/Scale 1:10

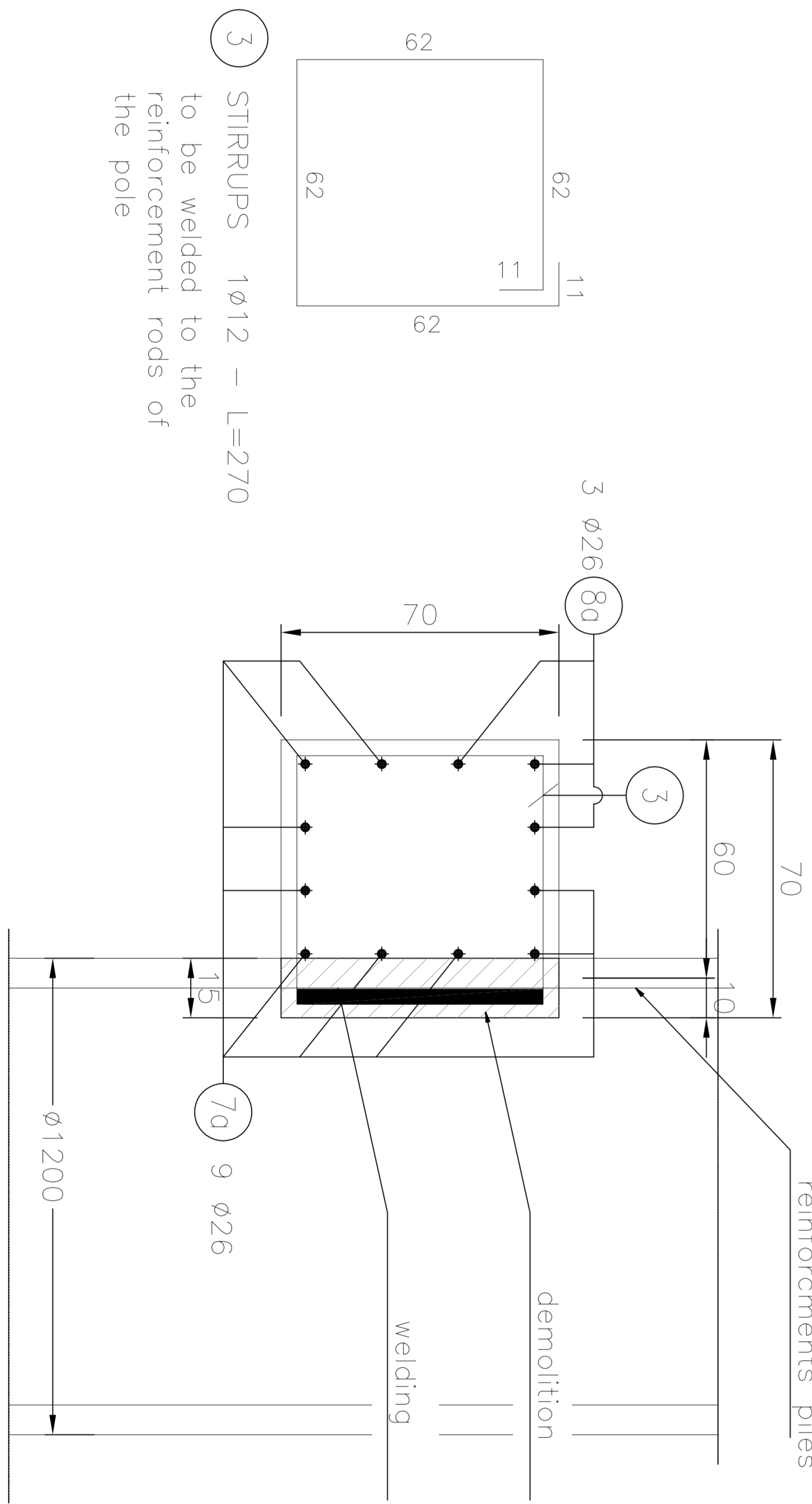


STEELS TABLE	
REINFORCING STEEL	<p>Legend measures:</p> <ul style="list-style-type: none"> - B60C (weddale) - Bending diameter R_b: ø Bar < 20 → $R_b = 8\phi$ ø Bar > 20 → $R_b = 8\phi$
CONCRETE PILE	<ul style="list-style-type: none"> - Type H2 - Iok ≥ 25 MPa - $f_{ctd} < 0.50$ - Minimum structural Class S4/S5 - Concrete type C30 n/V - $\alpha < 0.20$ - ø max. aggregate = 22.4 mm
CONCRETE CURB	<ul style="list-style-type: none"> - Type H2 - Iok ≥ 25 MPa - $f_{ctd} < 0.50$ - Minimum structural Class S4/S5 - Concrete type C30 n/V - $\alpha < 0.20$ - ø max. aggregate = 22.4 mm
REINFORCING STEEL	<ul style="list-style-type: none"> - B60C controlled by establishment - Weddale
LEAN CONCRETE	<ul style="list-style-type: none"> - Type I - Iok ≥ 12 MPa - Concrete type C24 n/V

CURB REINFORCED CONCRETE – TYPICAL SECTION
BORDURA DIN BETON ARMAT – SECTIUNII TIP
 Reinforcements/Armături
 Scale/Scale 1:10



CURB REINFORCED CONCRETE ON PILES
BORDURA DIN BETON ARMAT DEASUPRA PILA
 Reinforcements/Armături
 Scale/Scale 1:10



CLIENT / CLIENT	CN.C.F. "C.F.R." - S.A.
CONSULTANT / CONSULTANT	TECNIC
PROIECT / PROJECT	Z046RO/1697A/002
PROIECTANTUL / PROJECT DESIGNER	P. I.N. / I.D.

CLIENT / CLIENT		CONSULTANT / CONSULTANT	
	CN.C.F. "C.F.R." - S.A.		Oberrmeyer
	TECNIC		R. Litza
	C. Ghimbi		C. Ghimbi
	C. Ghimbi		C. Ghimbi
	C. Ghimbi		C. Ghimbi

PROIECT / PROJECT	Z046RO/1697A/002
PROIECTANTUL / PROJECT DESIGNER	P. I.N. / I.D.
PROIECTAREA / PROJECT DESIGN	ARCHITECTURA 2 TUNEL
PROIECTAREA / PROJECT DESIGN	PROIECTAREA / PROJECT DESIGN