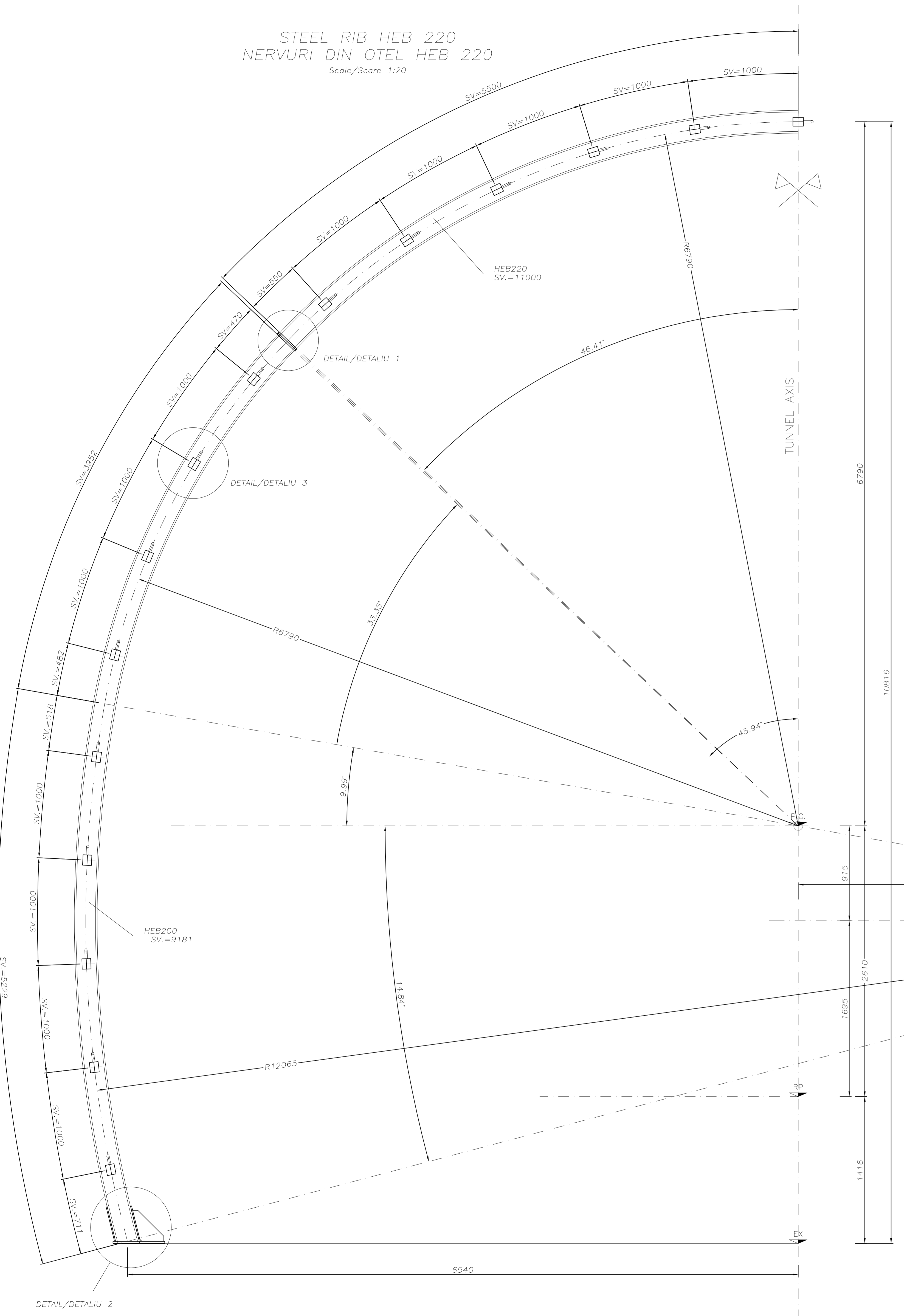
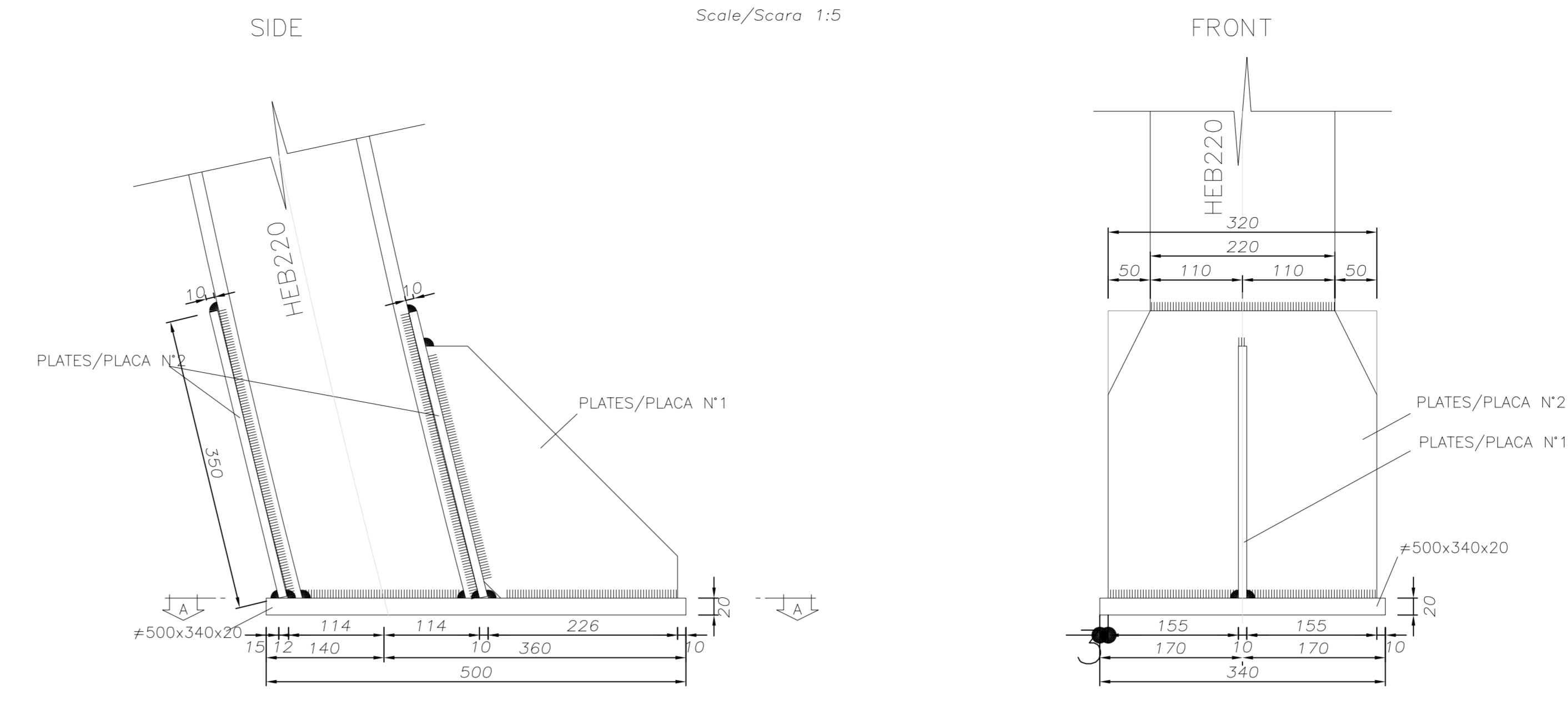


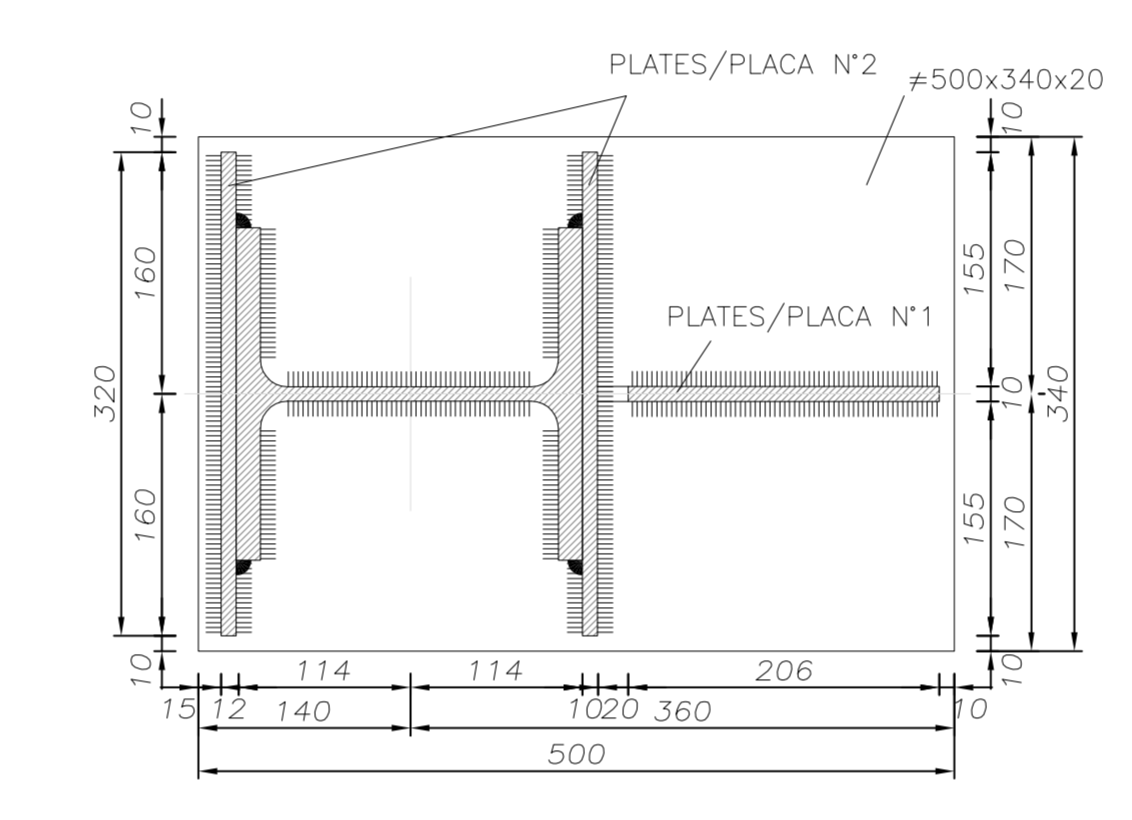
STEEL RIB HEB 220  
NERVURI DIN OTEL HEB 220  
Scale/Scara 1:20



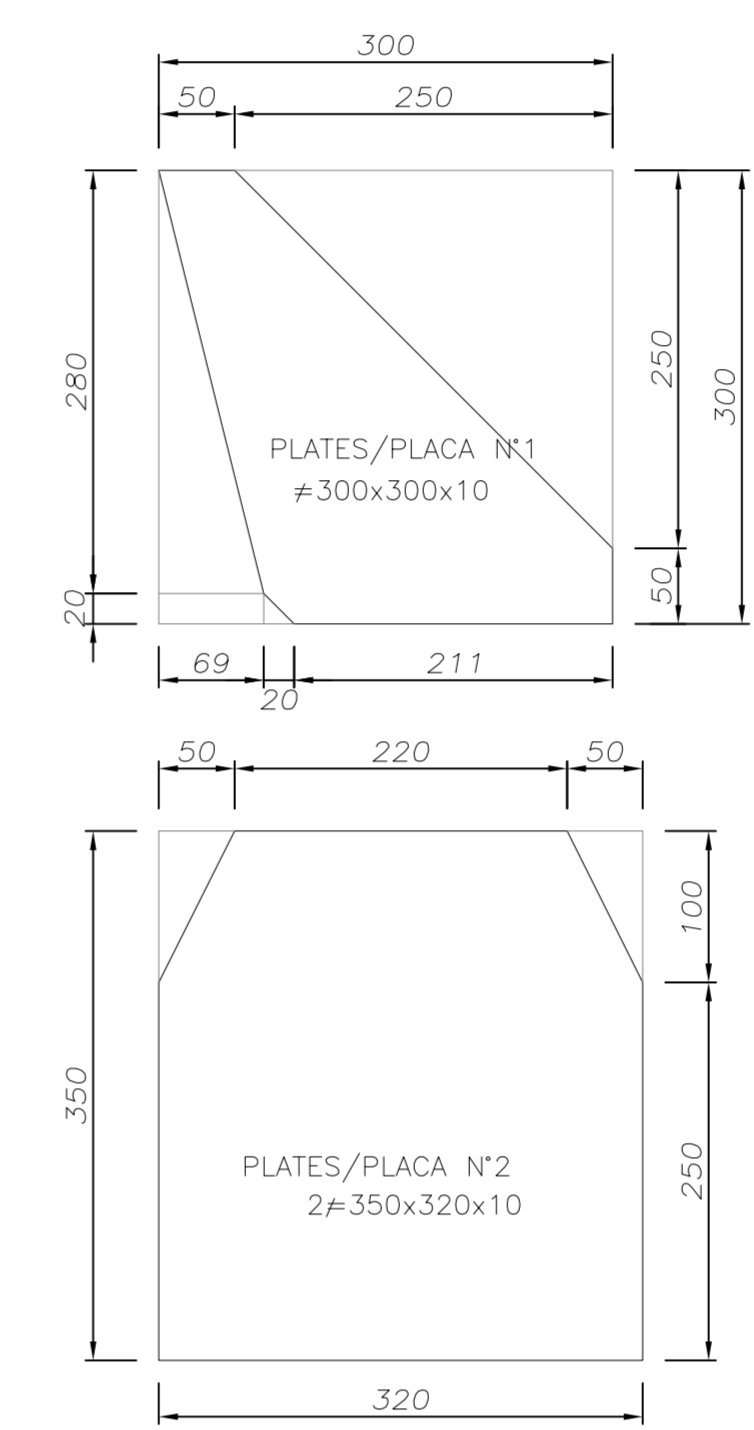
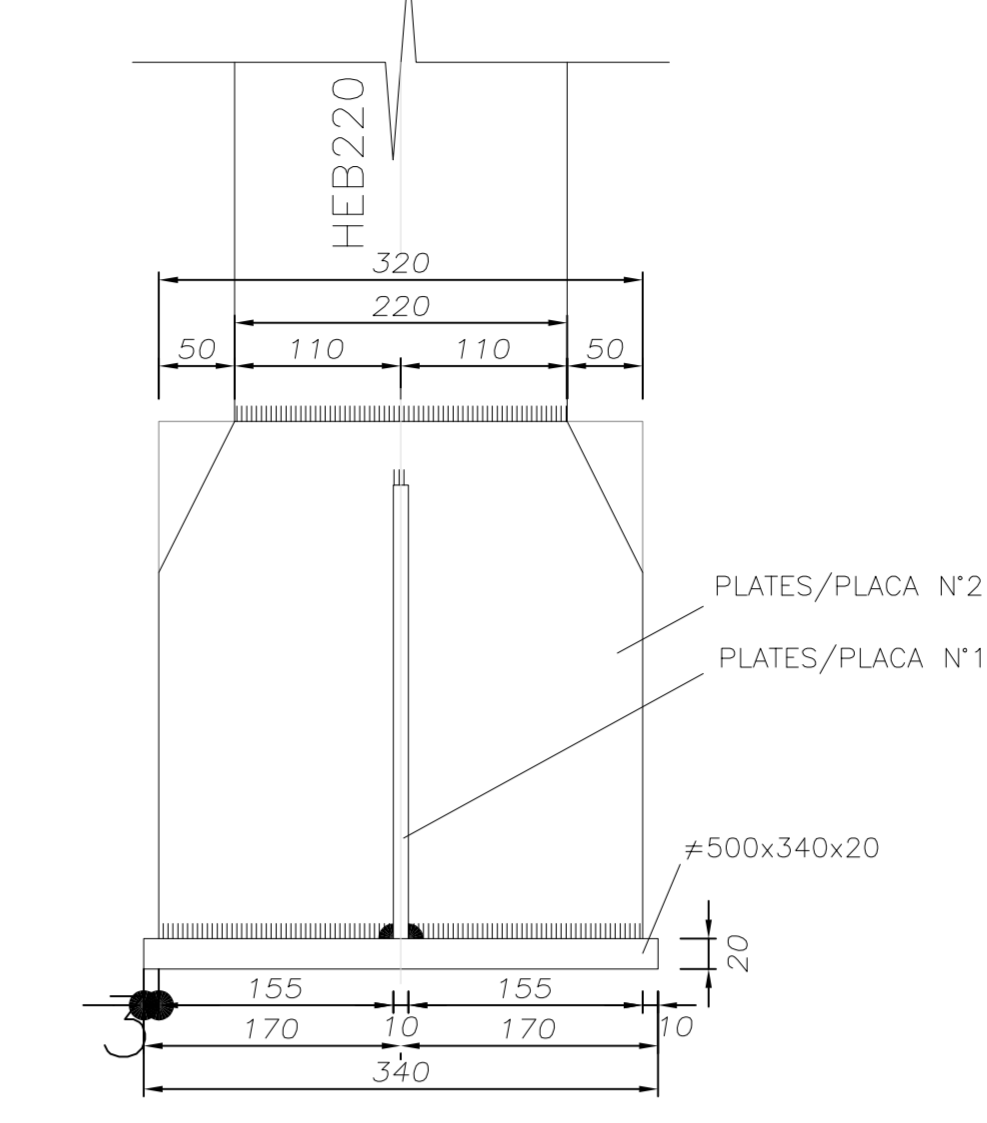
DETAIL "1"  
DETALIU "1"  
Scale/Scara 1:5



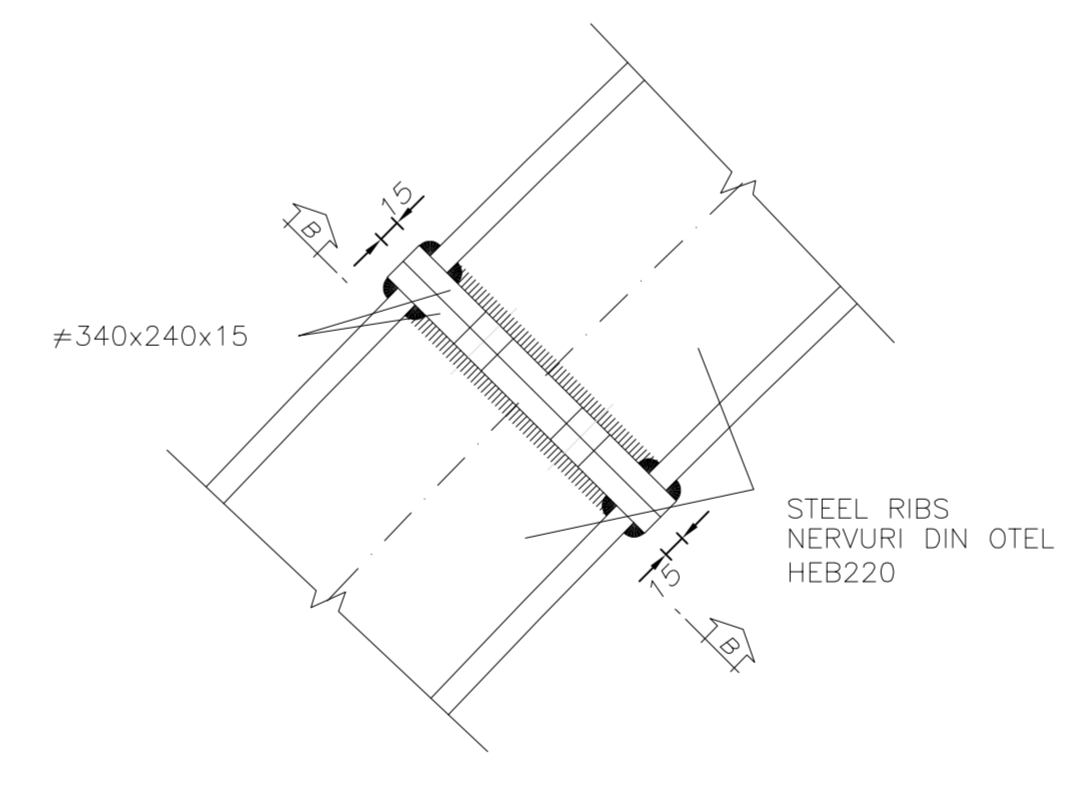
SECTION A-A  
SECTIUNEA A-A  
Scale/Scara 1:5



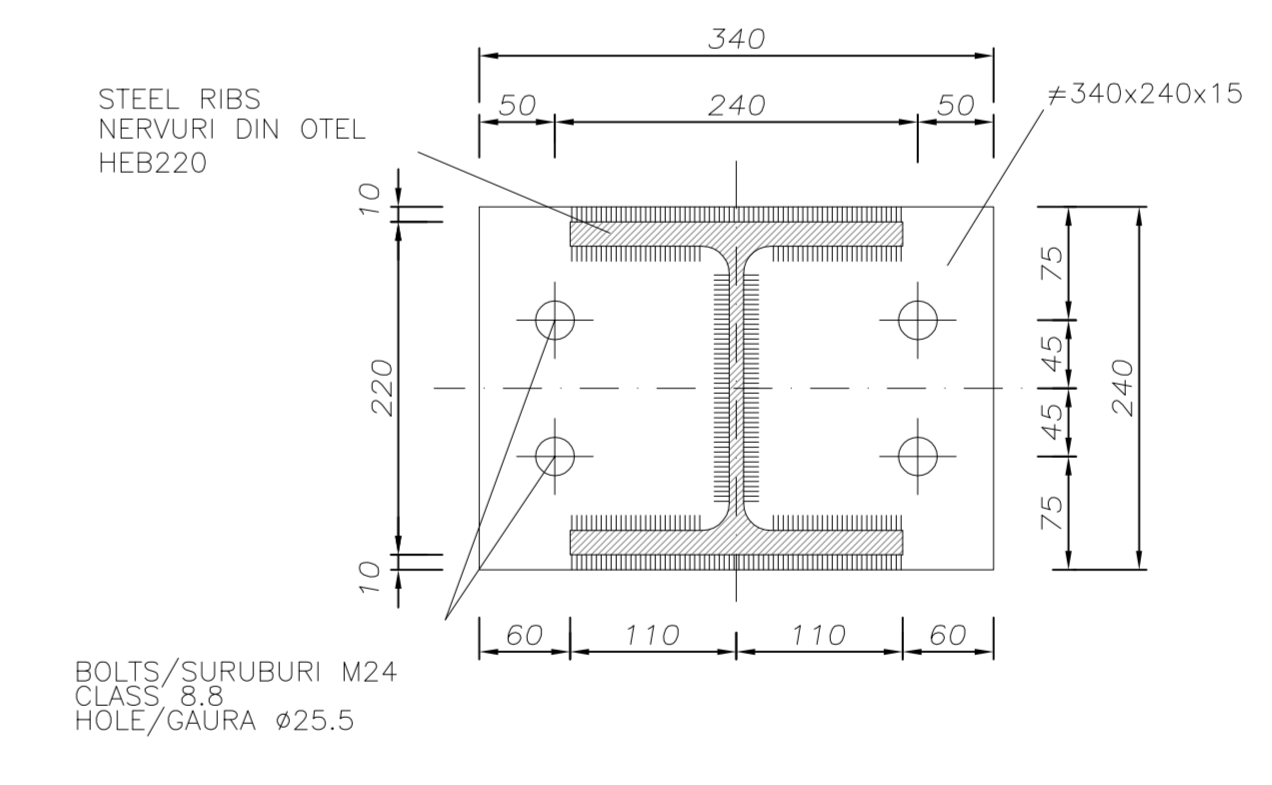
FRONT



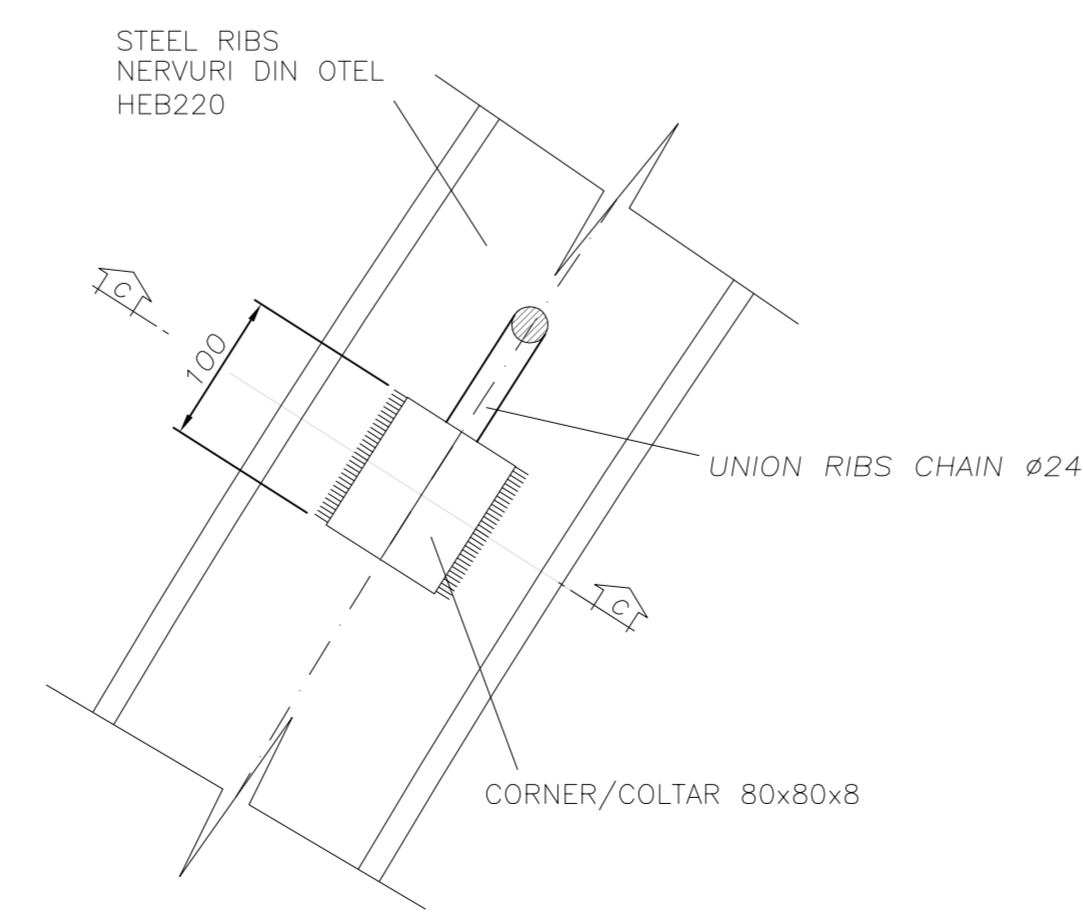
DETAIL "2"  
DETALIU "2"  
Scale/Scara 1:5



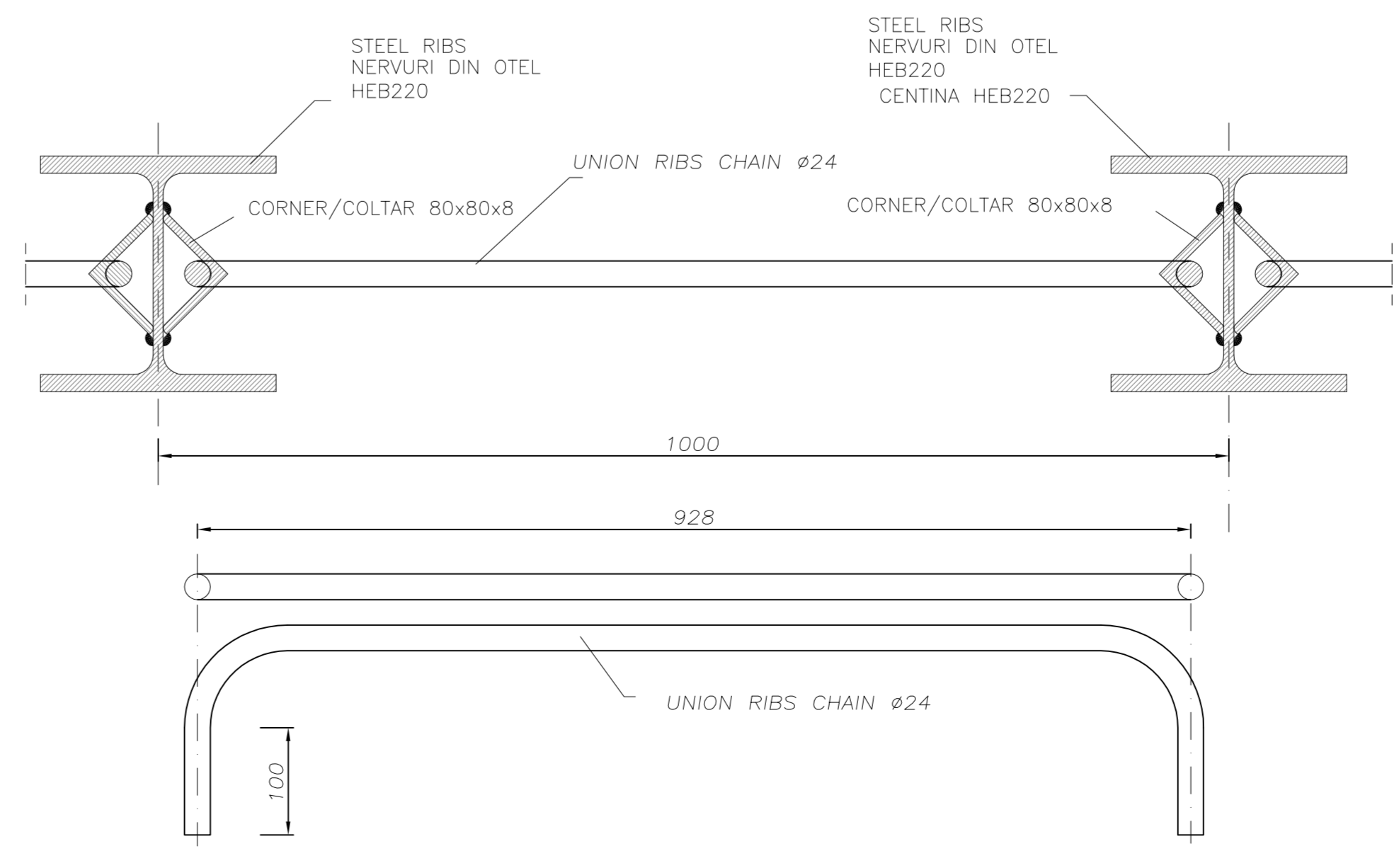
SECTION B-B  
SECTIUNEA B-B  
Scale/Scara 1:5



DETAIL "3"  
DETALIU "3"  
Scale/Scara 1:5



SECTION C-C  
SECTIUNEA C-C  
Scale/Scara 1:5



MATERIAL TABLE	
RIBS, PLATE, STIFFENING, BRACKET, CORNER :	
-	S 275
$f_{u\min}$	= 430 MPa
$f_{y\min}$	= 275 MPa
CHAINS :	
-	B450C controlled by establishment
-	Weldable

TABELUL DE MATERIALE	
NERVURA DE OTEL, SECTIUNI CUPLATE, CADRU DE RIGIDIZARE, UNGHIIURI :	
-	S 275
$f_{u\min}$	= 430 MPa
$f_{y\min}$	= 275 MPa
LANȚI :	
-	B450C controlat de catre unitate
-	Sudabil

LEGEND  
RP = REFERENCE PLANE  
EX = EXCAVATIONS PLANE  
PC = CENTERS PLANE

D	C	B	A
Index	Date	Modificari	Proiectant
Index	Date	Modificari/Revision	Approved Consultant
Index	Date	Modificari/Revision	Approved CFR

GUVERNUL ROMANIEI ROMANIAN GOVERNMENT  
PROIECT FINANȚAT DE UNIUNEA EUROPEANĂ EUROPEAN UNION FINANCED PROJECT

CLIENT / CLIENT  
CFR C.N.C.F. "C.F.R." - S.A.  
ITALFER Scot Wilson OBERMEYER PLANEN + BERATUN GmbH TECNIC Consulting Engineers

CONSULTANT / CONSULTANT		Date	Signature
Approved	Project manager	R. Liuzza	
Approved	Coordinator Section 1	C. Gambelli	
Verified	Tunnel Expert	C. Gambelli	
Checked	Tunnel Expert	C. Gambelli	
Elaborated	Designer	C. Gambelli	

Reabilitarea liniei de cale ferata Brasov - Simeria, parte componentă a coridorului IV Pan European, pentru circulația trenurilor cu viteză maximă de 160 km/h. Section 1 Brasov - Sighisoara

Rehabilitation of the railway line Brasov - Simeria, component Part of the IV Pan-European Corridor, for the trains circulation with maximum speed of 160 km/h. Section 1 Brasov - Sighisoara

Denumire desen / Drawing Title : ARCHITA 2 TUNNEL  
NATURAL TUNNEL  
Section type "B3" with and without niches - Steel ribs  
Sectiunea tip "B3" cu si fara nise - Nervuri din otel

Codificare / Codification System	Scara / Scale	LOT	Nr. / No
E A 5 1 0 1 C 1 4 B B G N 0 4 0 0 0 0 8 0	variat / various		