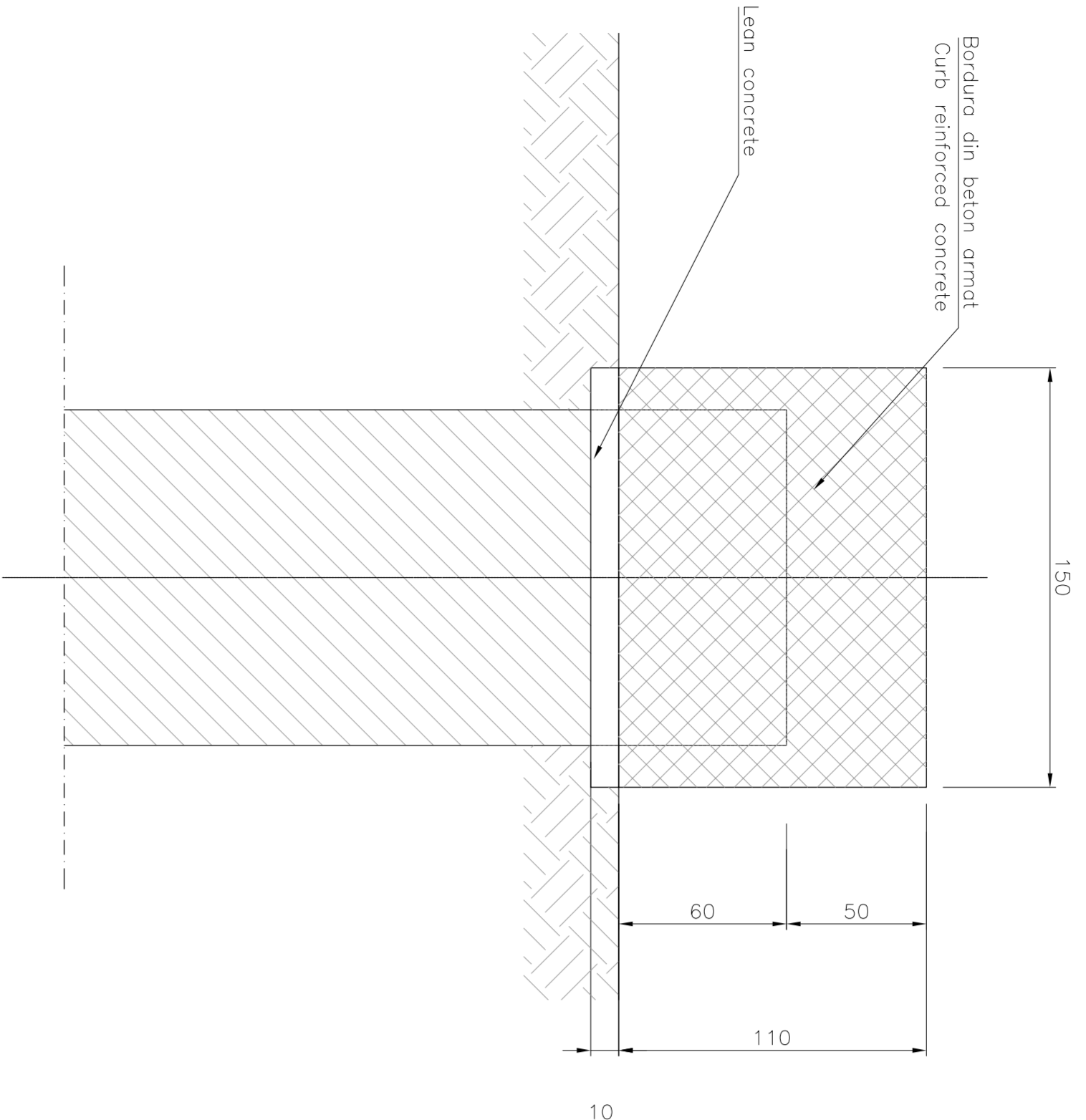
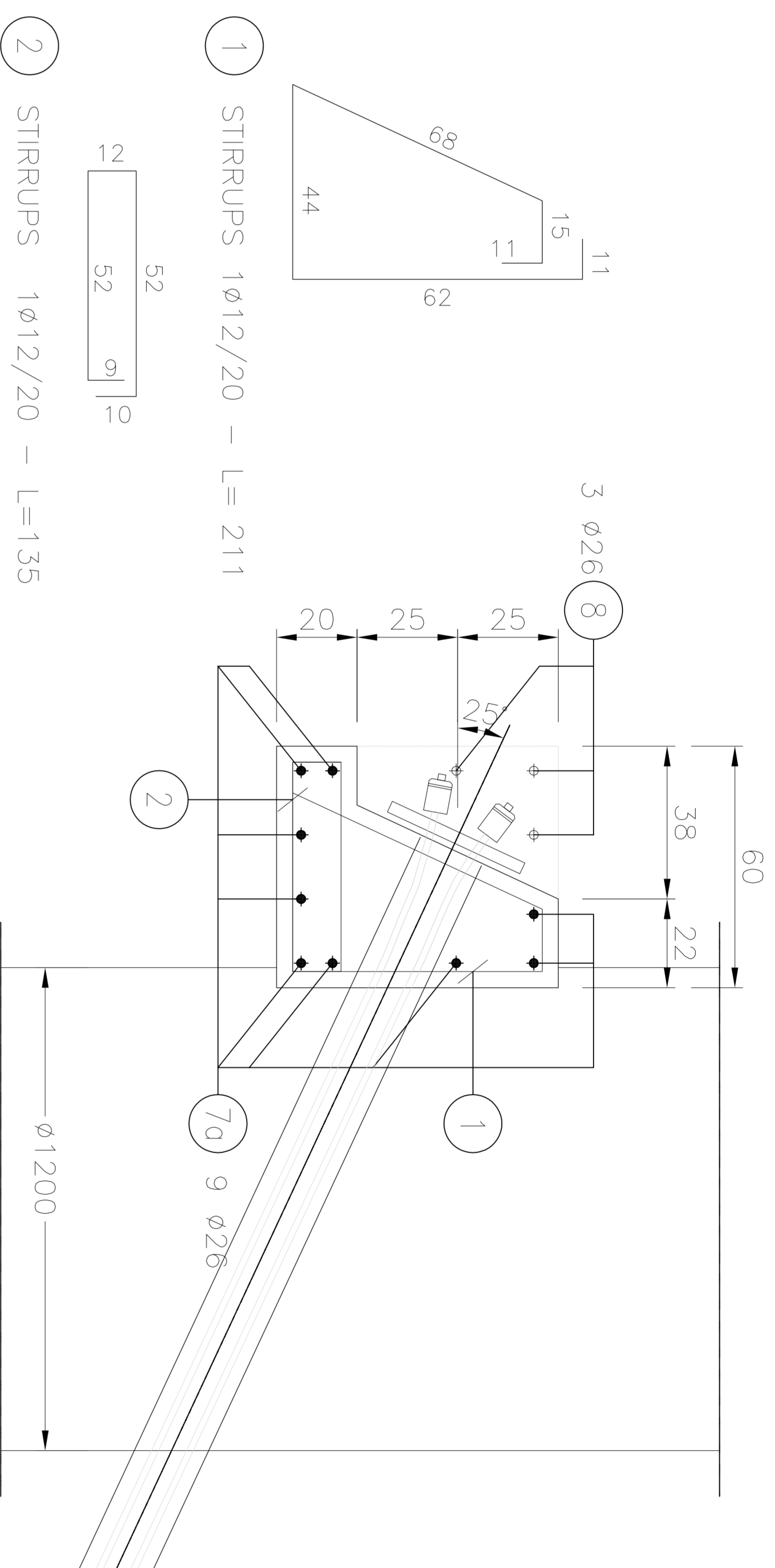


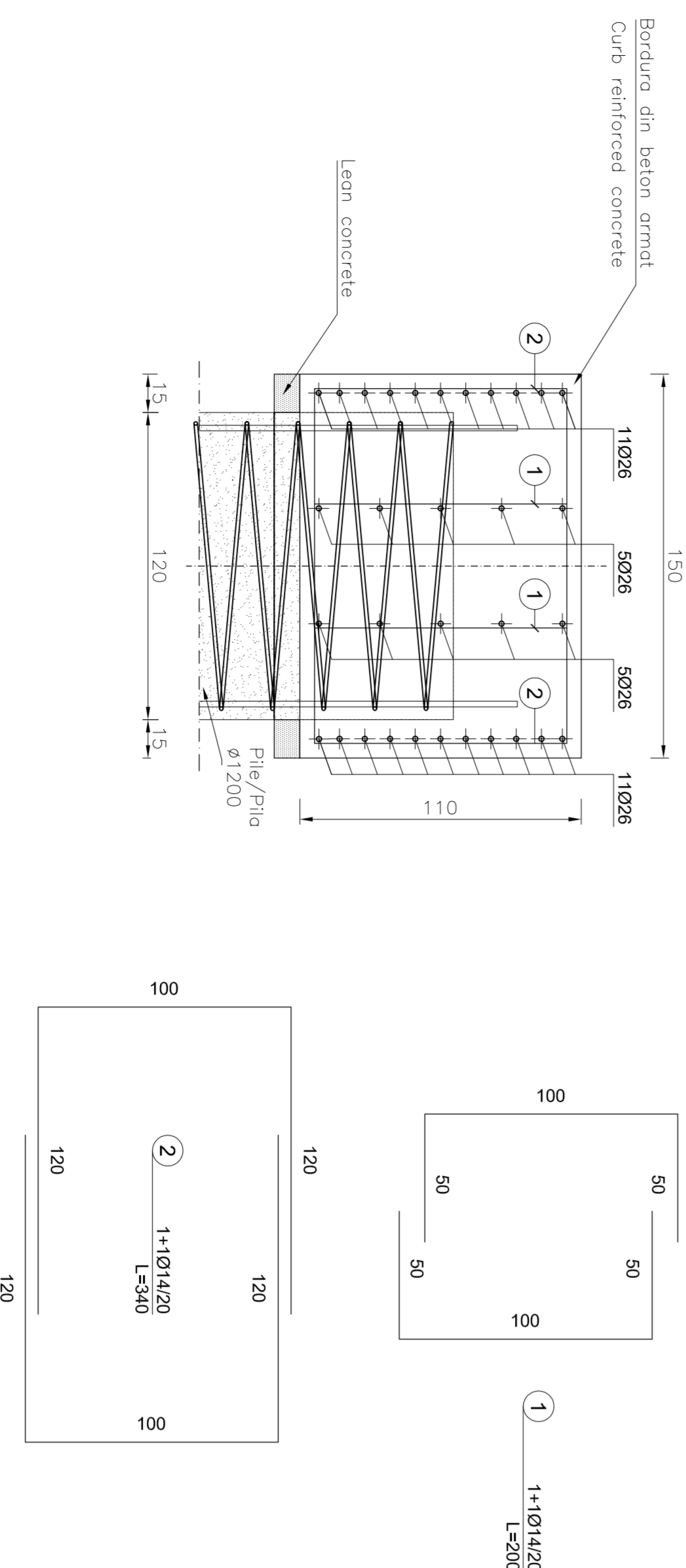
CURB REINFORCED CONCRETE  
BORDURA DIN BETON ARMAT  
Formworks/Cofraje  
Scale/Scale 1:20



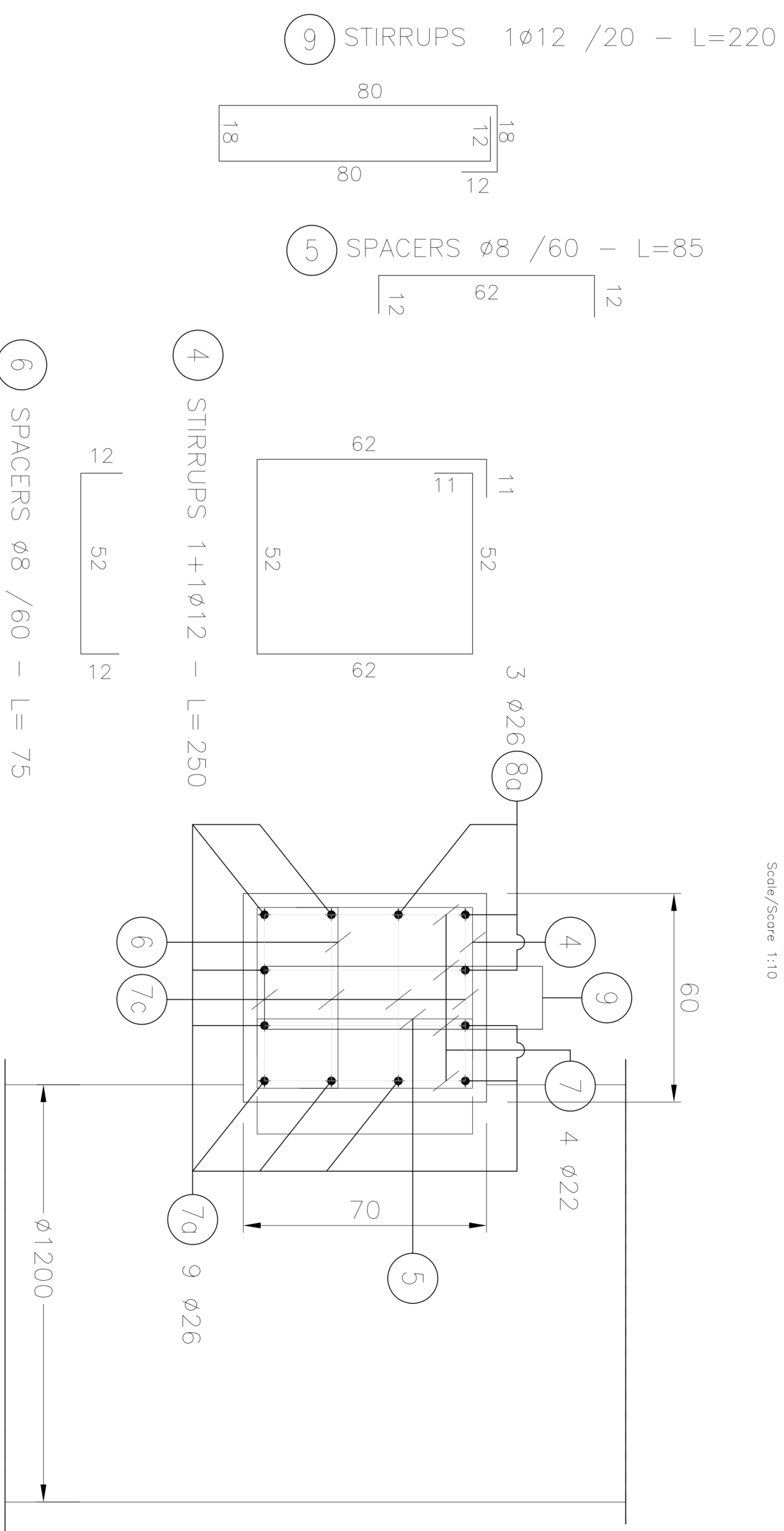
CURB REINFORCED CONCRETE WITH TENDONS - TYPE 2  
BORDURA DIN BETON ARMAT CU FRANGHIE - TIP 2  
Reinforcements/Armaturi  
Scale/Scale 1:10



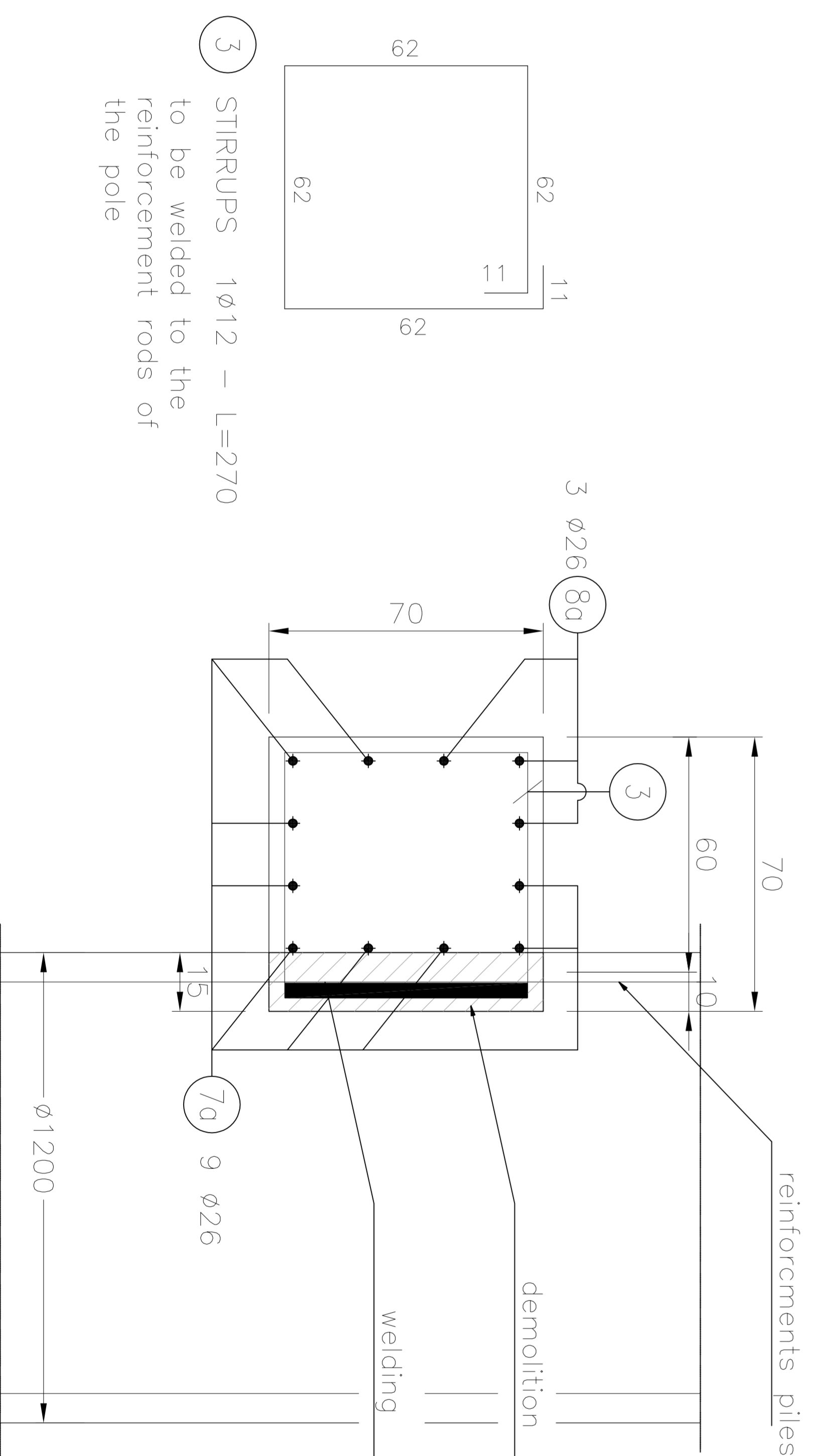
CURB REINFORCED CONCRETE - TYPE 1  
BORDURA DIN BETON ARMAT - TIP 1  
Reinforcements/Armaturi  
Scale/Scale 1:20



CURB REINFORCED CONCRETE - TYPICAL SECTION  
BORDURA DIN BETON ARMAT - SECTIUNII TIP  
Reinforcements/Armaturi  
Scale/Scale 1:10



CURB REINFORCED CONCRETE ON PILES  
BORDURA DIN BETON ARMAT DEASUPRA PILA  
Reinforcements/Armaturi  
Scale/Scale 1:10



STEELS TABLE	
REINFORCING STEEL	Legend measures:
- B40C (molded)	
Bending diameter dg:	
ø Bar < 420 -> -> dg=6ø	
ø Bar 420-426 -> -> dg=6ø	
MATERIAL TABLE	
CONCRETE BILE	
- Type 12,5 MPa	
- Water/cement ratio <math>\leq 0,50</math>	
- Minimum structural Class S4/S5	
- Minimum concrete strength <math>C_{12,5}</math>	
- Coef of volume content <math>C_{V,12,5}</math>	
- ø max aggregate = 22,4 mm	
CONCRETE CURB	
- Type 12,5 MPa	
- Water/cement ratio <math>\leq 0,50</math>	
- Minimum structural Class S4/S5	
- Minimum concrete strength <math>C_{12,5}</math>	
- Coef of volume content <math>C_{V,12,5}</math>	
- ø max aggregate = 22,4 mm	
REINFORCING STEEL	
- B40C (molded by embossment)	
- Weldable	
LEAN CONCRETE	
- Type 1	
- fck >= 12 MPa	
- Cement type CEM I/V	

Index	DATE	Modifications	Project Manager	Approved Consultant	Approved Client
A	2024.03.20	Initial Design	R. Lutz	C. Gimbelli	C. Gimbelli
B	2024.03.20	Revisions	R. Lutz	C. Gimbelli	C. Gimbelli
C	2024.03.20	Revisions	R. Lutz	C. Gimbelli	C. Gimbelli
D	2024.03.20	Revisions	R. Lutz	C. Gimbelli	C. Gimbelli

CLIENT / CLIENT	
	C.N.C.F. 'C.F.R.' - S.A.

CONSULTANT / CONSULTANT	
	MAIERA
	Scott Wilson
	OBERMEYER
	FUMEN + BERBERIS GROUP
	TECNIC

SUBCONSULTANT / SUBCONSULTANT	
	R. Lutz
	C. Gimbelli
	C. Gimbelli
	C. Gimbelli

PROJECT INFORMATION	
Project Name	ENTRANCE HOMOROD TUNNEL
Project Location	Section 1 Brnoș - Sighisloara
Project Start	2024.03.20
Project End	2024.03.20

CLIENT / CLIENT	
	GUVERNUL ROMÂNIEI
	ROMÂNIA
	ROMÂNIA
	ROMÂNIA

PROJECT INFORMATION	
Project Name	ENTRANCE HOMOROD TUNNEL
Project Location	Section 1 Brnoș - Sighisloara
Project Start	2024.03.20
Project End	2024.03.20

CLIENT / CLIENT	
	MAIERA
	Scott Wilson
	OBERMEYER
	FUMEN + BERBERIS GROUP
	TECNIC

SUBCONSULTANT / SUBCONSULTANT	
	R. Lutz
	C. Gimbelli
	C. Gimbelli
	C. Gimbelli

PROJECT INFORMATION	
Project Name	ENTRANCE HOMOROD TUNNEL
Project Location	Section 1 Brnoș - Sighisloara
Project Start	2024.03.20
Project End	2024.03.20