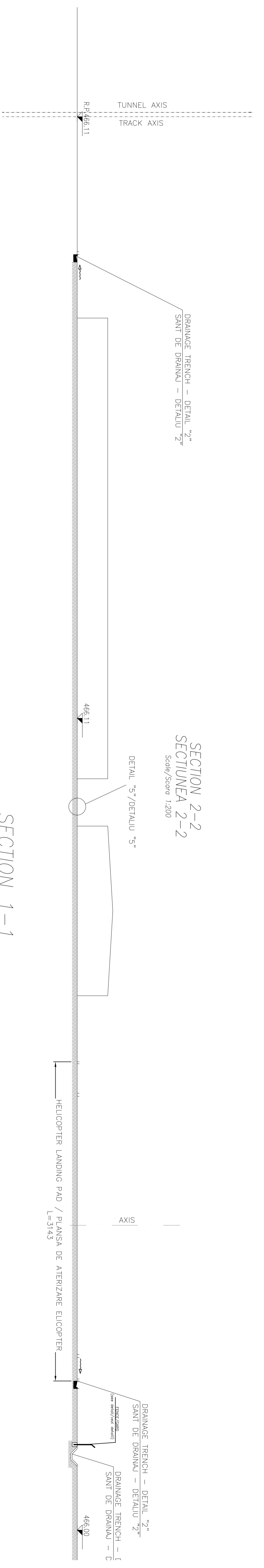
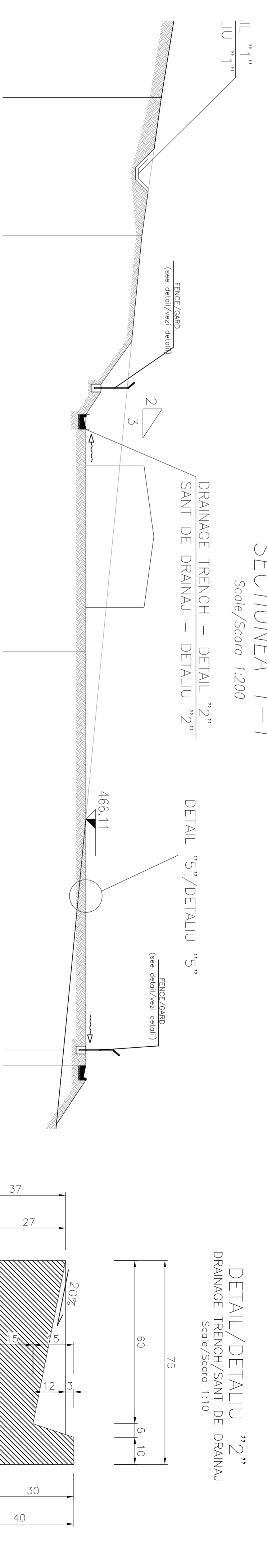


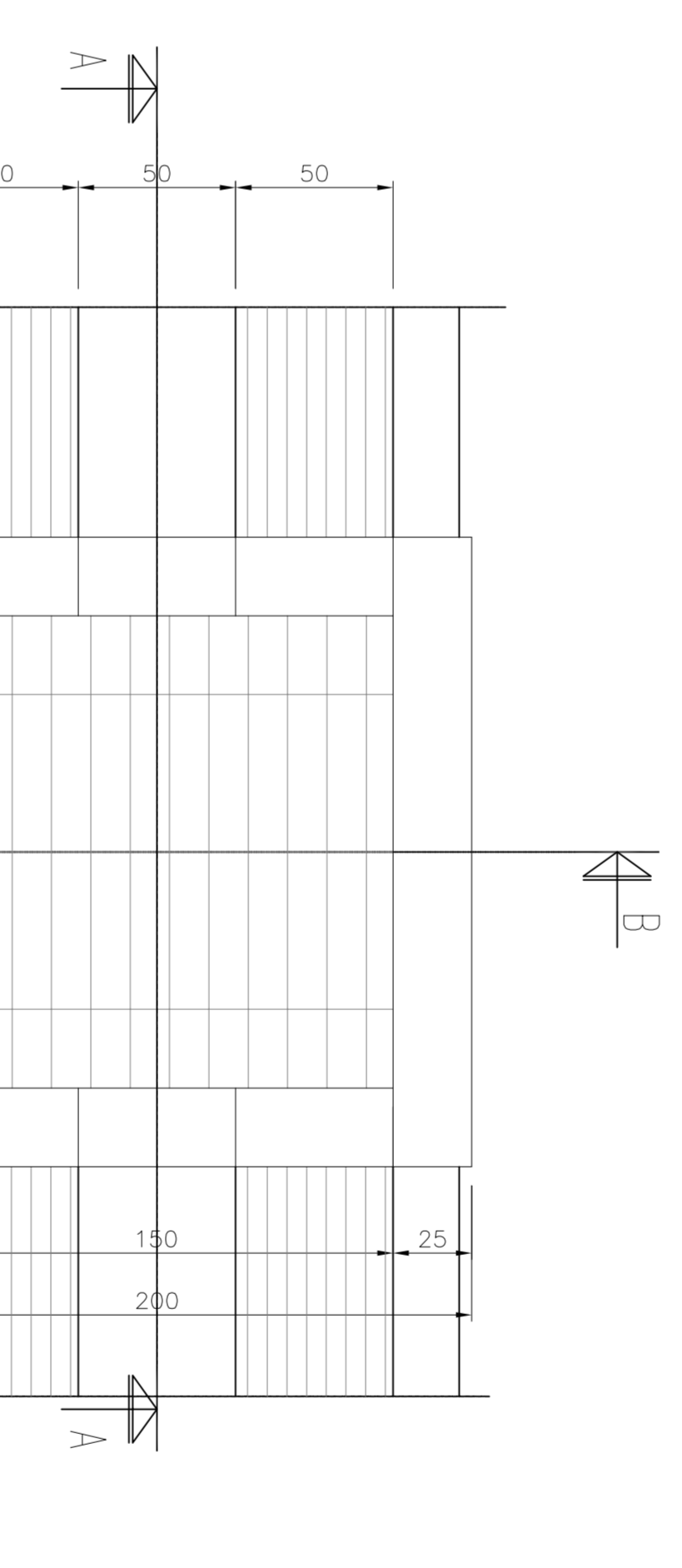
SECTION 2-2
Scale/Scara 1:200



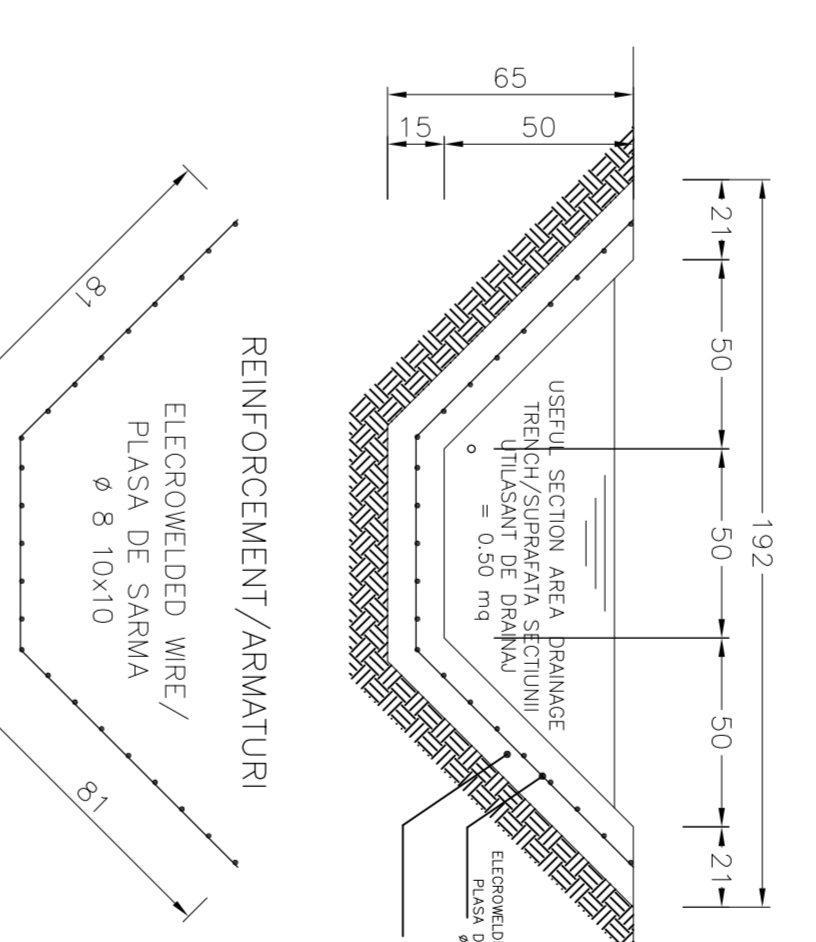
SECTION 1-1
Scale/Scara 1:200



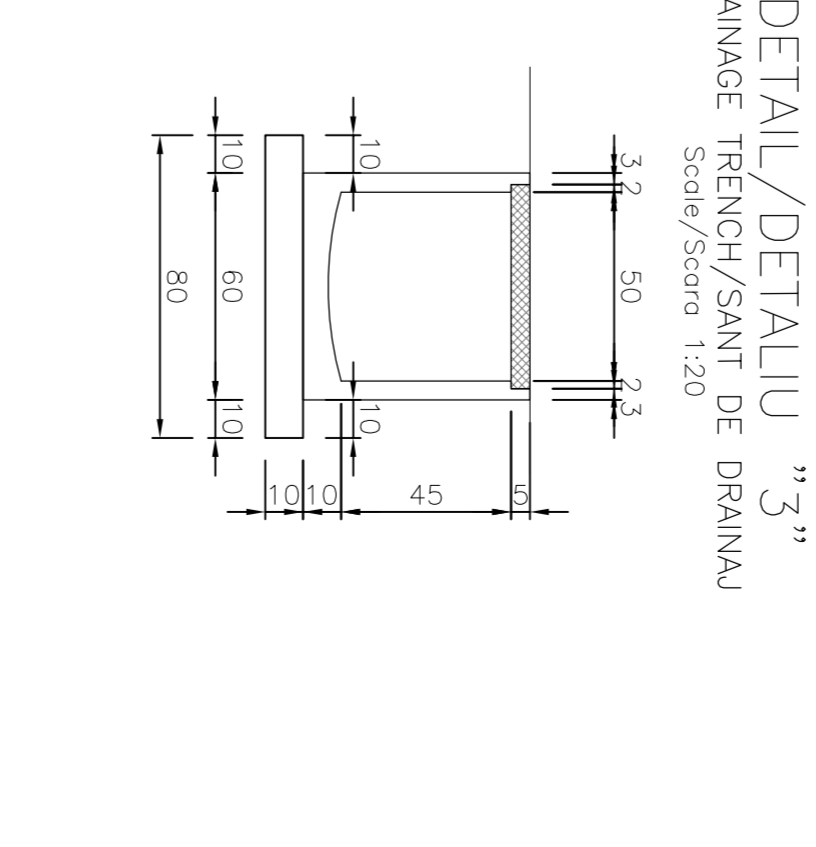
DETAIL /DETALIU "4"
Scale/Scara 1:20



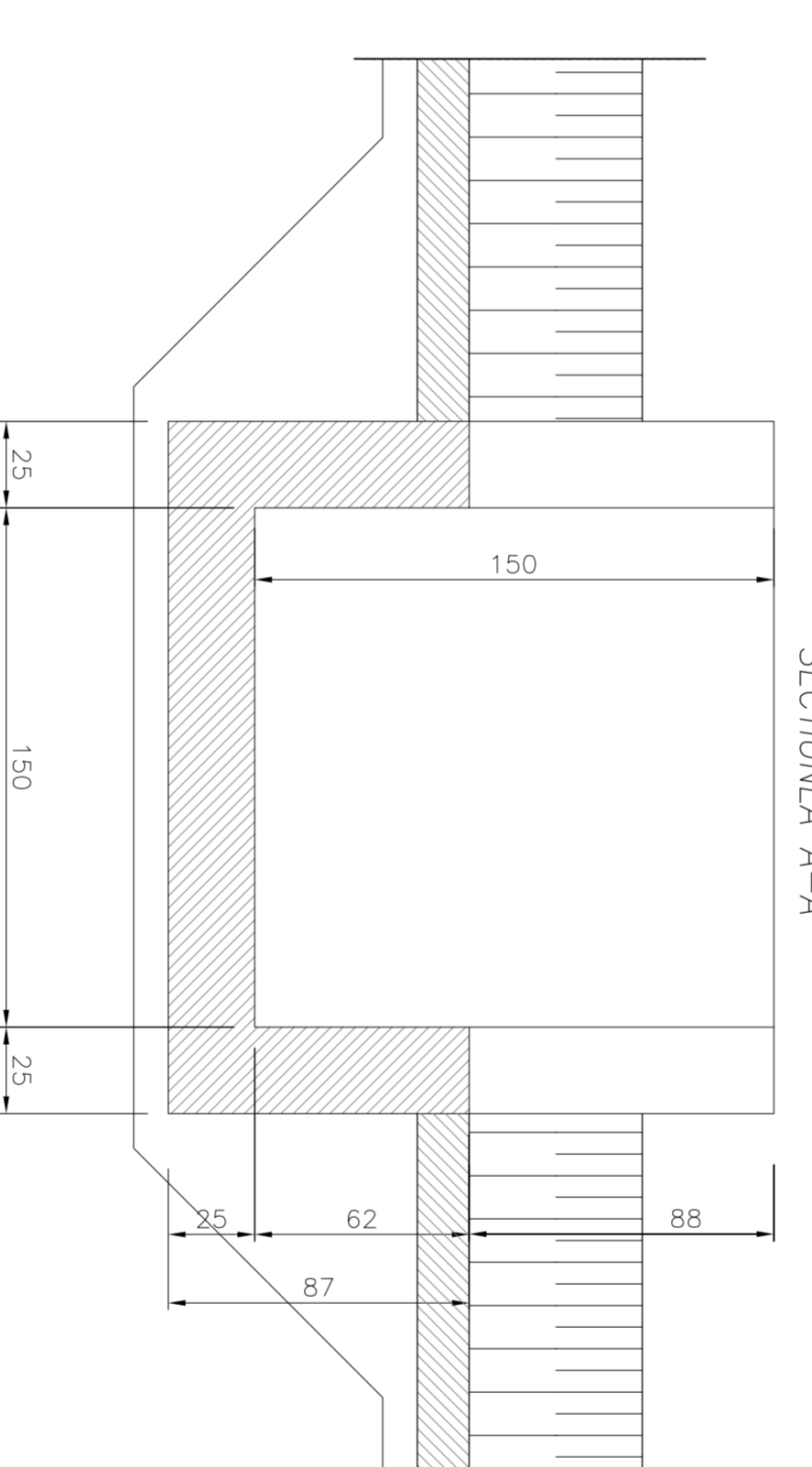
DETAIL /DETALIU "1"
Scale/Scara 1:20



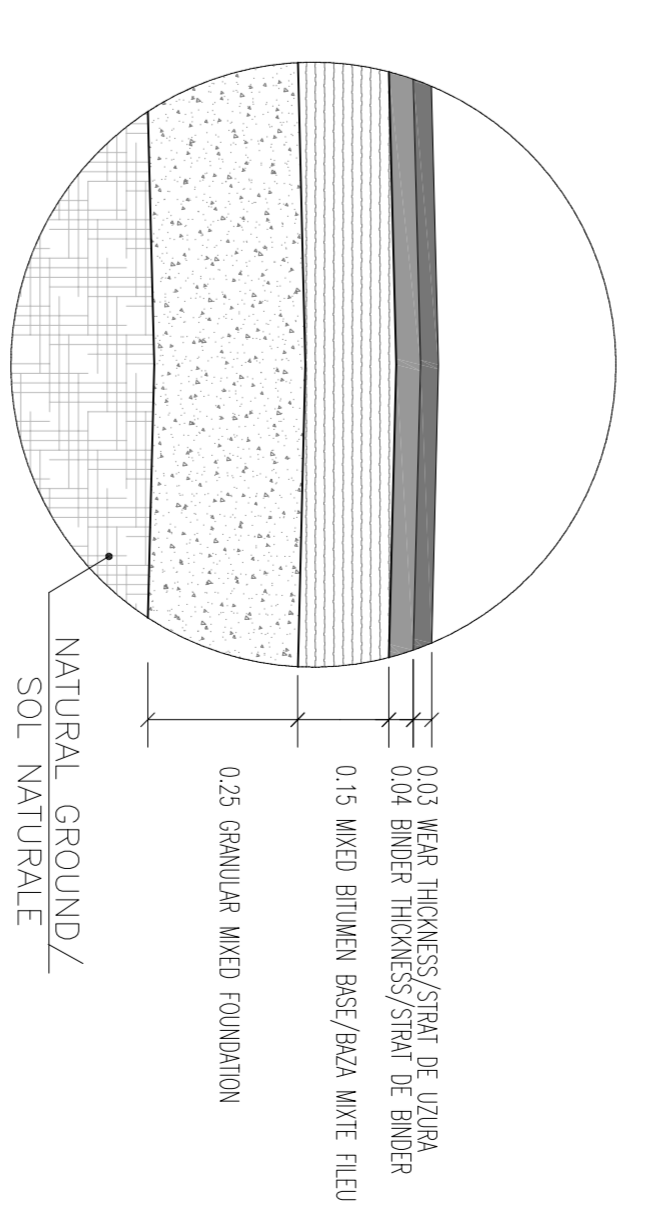
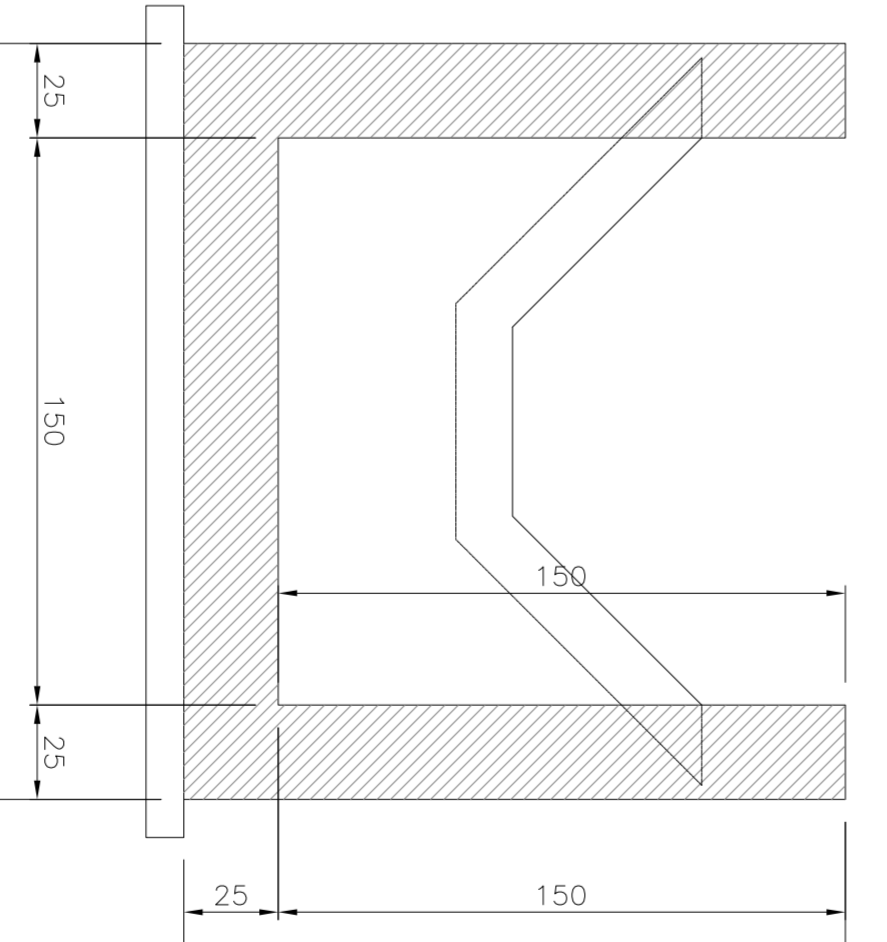
DETAIL /DETALIU "3"
Scale/Scara 1:20



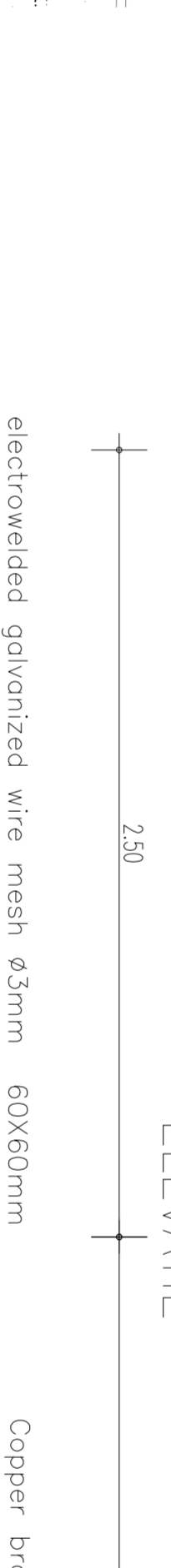
SECTION A-A
SECTION A-A



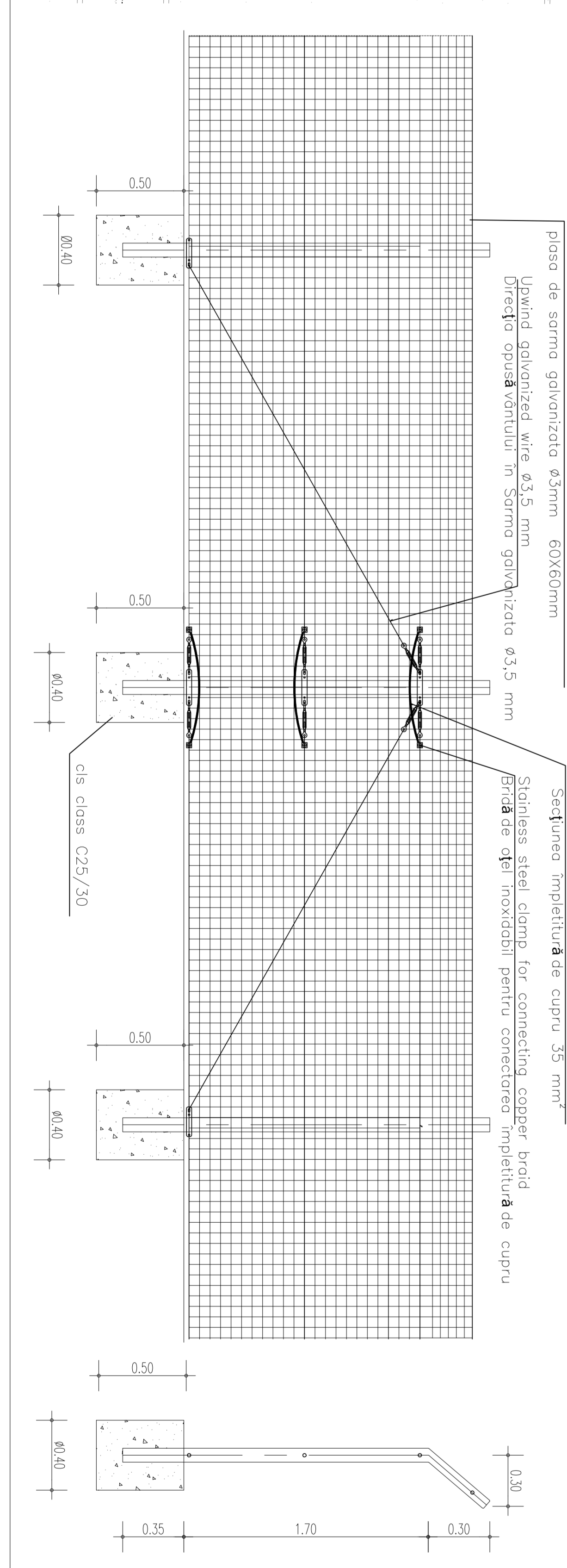
SECTION B-B
SECTION B-B



FENCE DETAIL /DETALIU GARD
Scale/Scara 1:20



CROSS SECTION / SECTIUNE TRANSVERSALA



0	1	2	3	4	5	6	7	8	9	10	11	12	13	14	15	16	17	18	19	20
EA	51	01	C	12	TS	GA	04	0	0	0	0	0	0	0	0	0	0	0	0	0

CLIENT / CLIENT
 CN.C.F. "C.F.R." - S.A.
CONSULTANT / CONSULTANT
 OBERMEYER
SUBCONSULTANT / SUBCONSULTANT
 TECNIC
PROJECT TITLE
 PROJECT FINANTIA DE UNIUNEA EUROPEANA
DATE
 2004/02/16/27/002
DRAWN BY
 Faza: Proiect
 P.N./1.0.