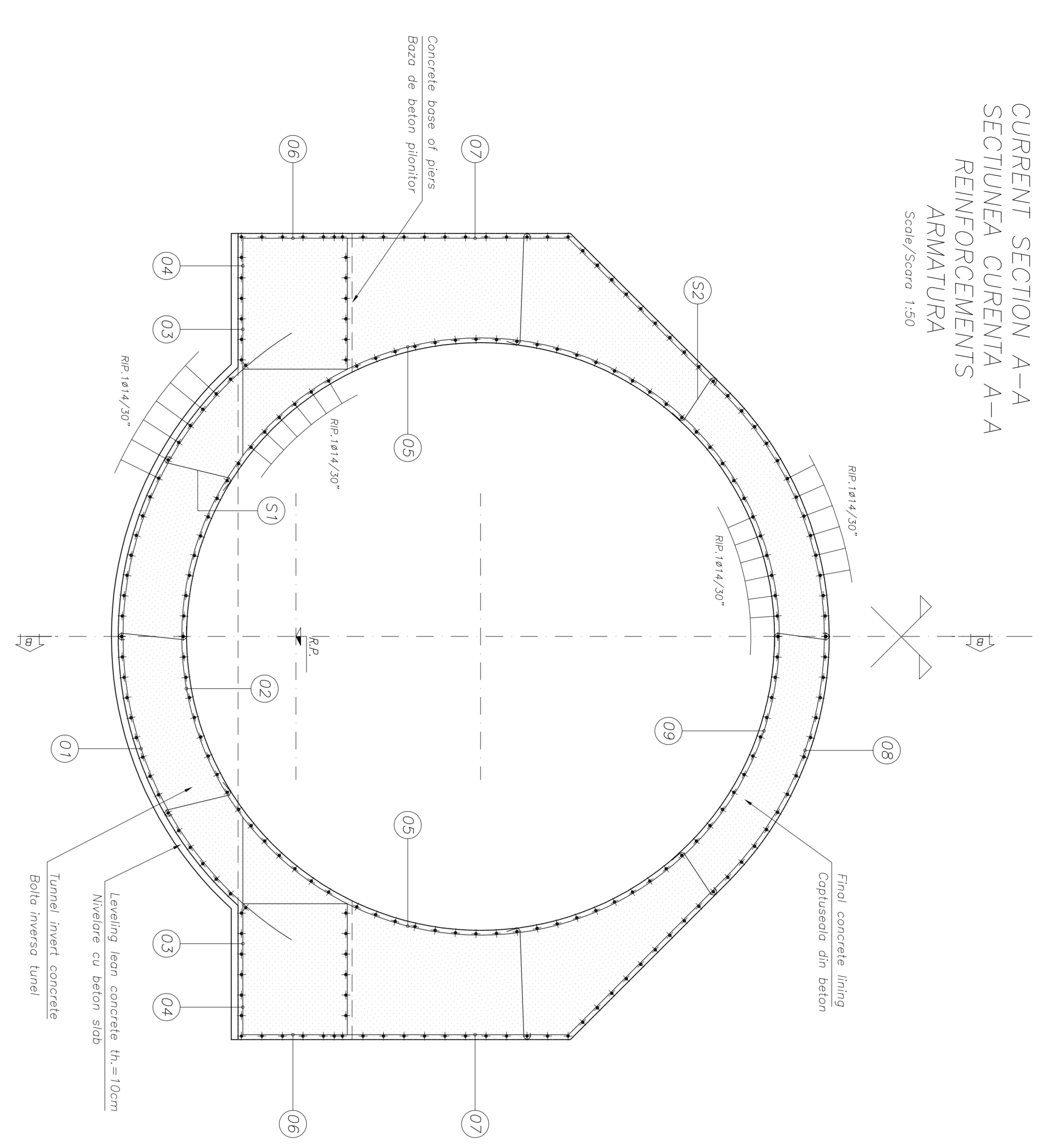
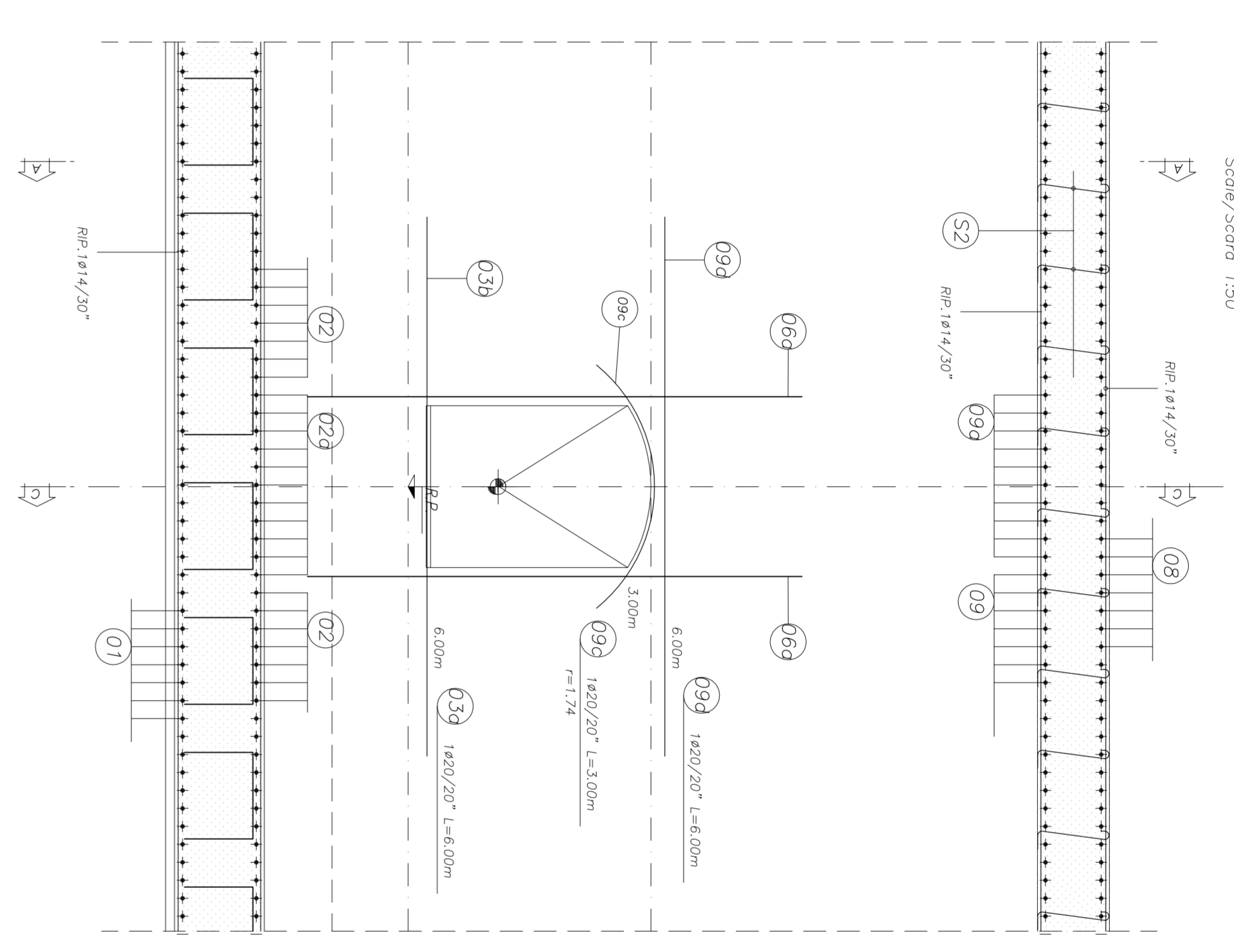


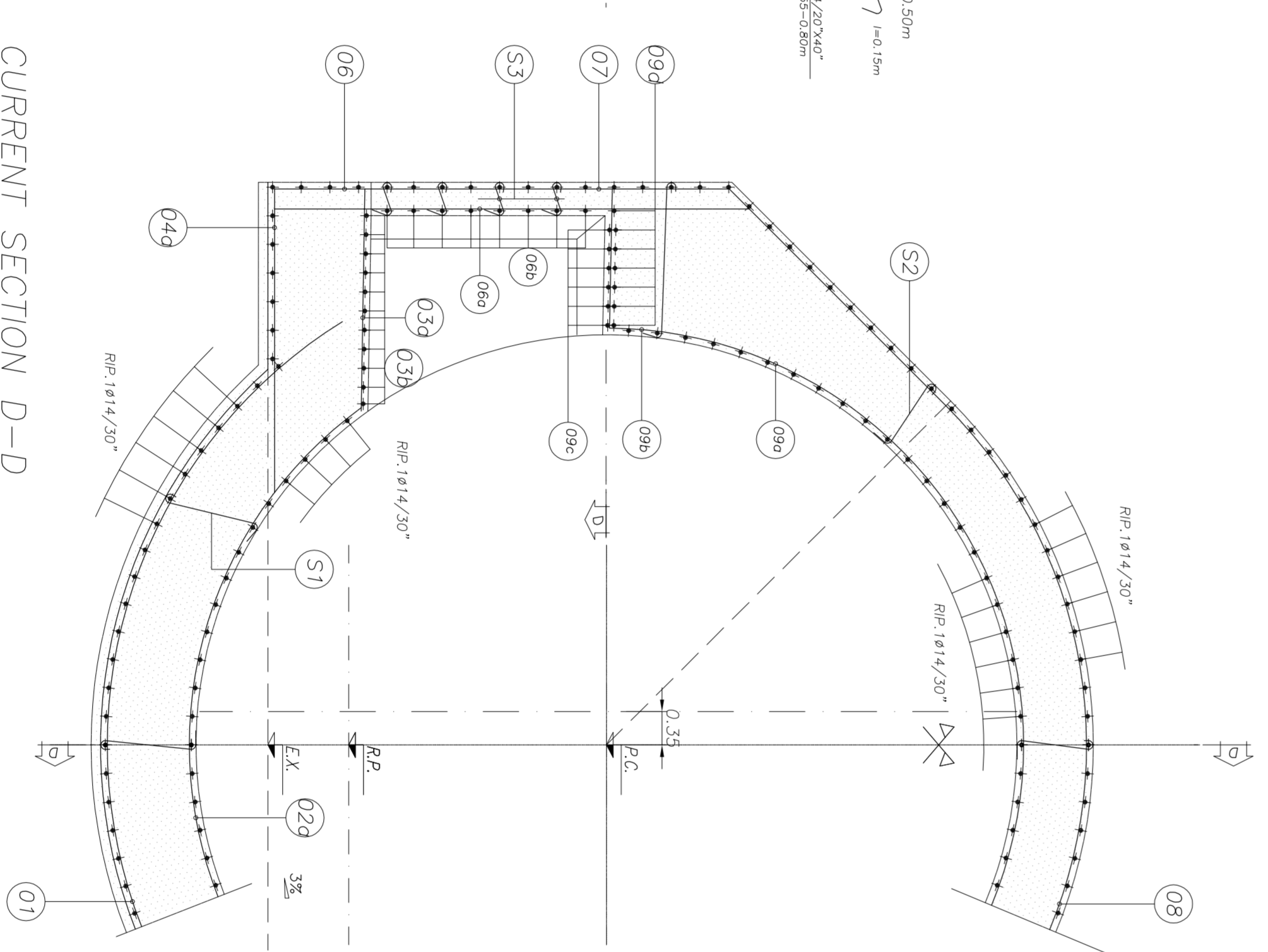
CURRENT SECTION A-A
 SECȚIUNEA CURENTĂ A-A
 REINFORCEMENTS
 ARMATURĂ
 Scale/Scara 1:50



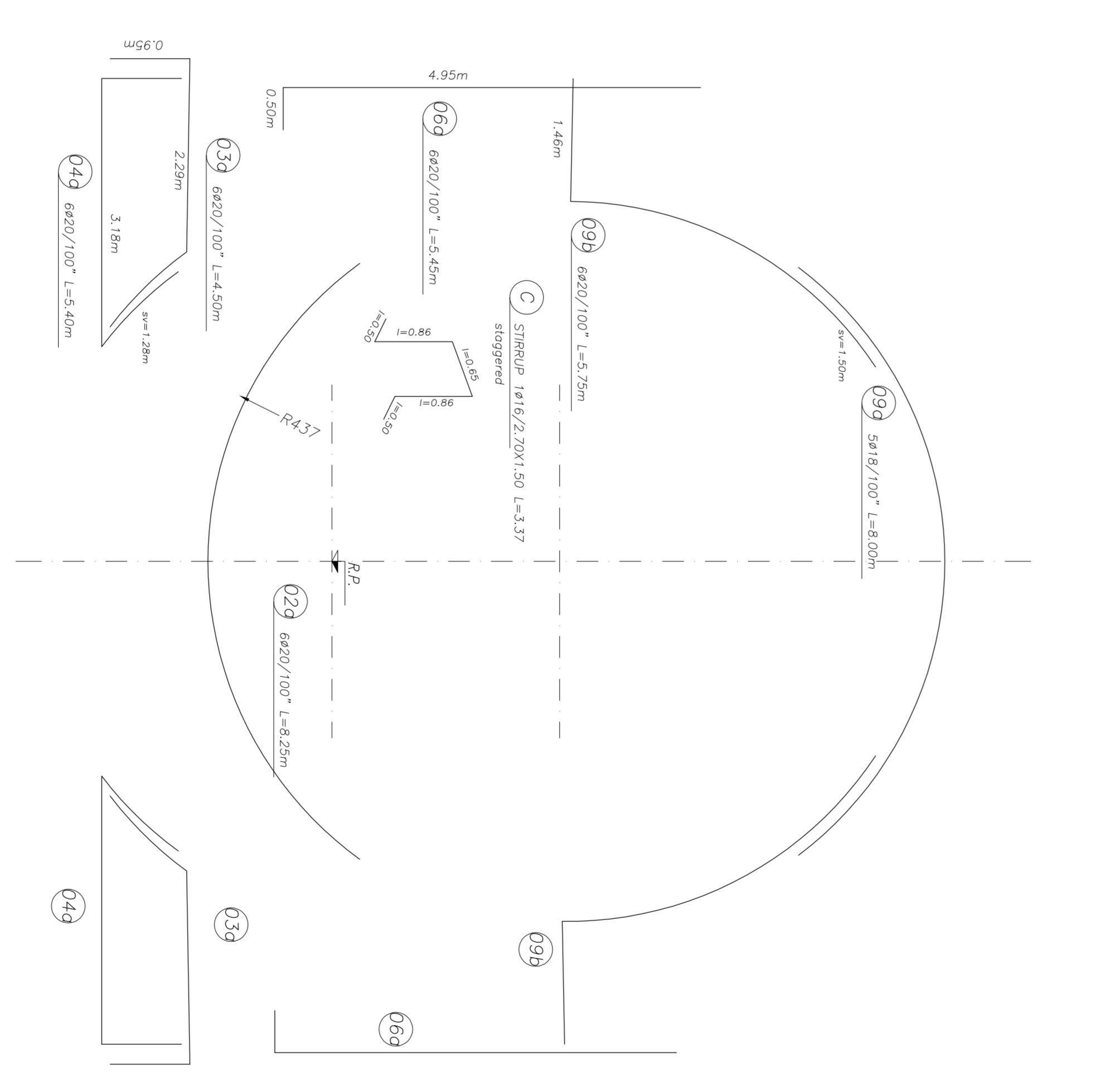
CURRENT SECTION B-B
 SECȚIUNEA CURENTĂ B-B
 Scale/Scara 1:50



SECTION WITH SHELTER STAFF NICHE C-C
 SECȚIUNEA CU NIȘA PENTRU ADAPOSTUL PERSONALULUI C-C
 Scale/Scara 1:50



CURRENT SECTION D-D
 SECȚIUNEA CURENTĂ D-D
 Scale/Scara 1:50



STEELS TABLE

REFERENCE STEEL: B40C (standard)

Legend measures:

Bending diameter R_b : $R_b < 400 \rightarrow R_b = 6a$
 $R_b > 400 \rightarrow R_b = 8a$

Bar # $400-406 \rightarrow R_b = 8a$

MATERIAL TABLE

TUNNEL INVERT CONCRETE:

- Type C2
- $f_{ck} = 20$ MPa
- Min. compressive strength $f_{cm} = 24.50$
- Min. compressive strength class S17.5
- Exposure class related to environmental conditions XE2
- Exposure class related to environmental conditions XE2
- Class of concrete content C 0.20
- ρ_{max} aggregate = 20 mm

REINFORCEMENT STEEL:

- Type S1
- $f_{yk} = 50$ MPa
- Min. yield strength $f_{yk} = 50$ MPa
- Min. yield strength class S17.5
- Exposure class related to environmental conditions XE2
- Class of concrete content C 0.20
- ρ_{max} aggregate = 20 mm

TUNNEL CONCRETE:

- Type C1
- $f_{ck} = 17$ MPa
- Min. yield strength $f_{yk} = 17$ MPa
- Current type C14 (V)

LEGEND

RP = REFERENCE PLANE
 EX = EXCAVATIONS PLANE
 PC = CENTER PLANE

Index	Date	Modification	Project	Author/Designer	Approved/Checked
A					
B					
C					
D					

CLIENT / CLIENT

CFR
 CN.C.F. "C.F.R." S.A.

CONSULTANT / CONSULTANT

TECNIC
 CONSULTING ENGINEERS

PROJECT INFORMATION

Project/Proiect: Z04/R07/16/97/4002
 Fază / Fază: P.I.N. / I.D.

CONFIRMATION

Confirma / Confirmați	Ștampilă / Ștampilă	Lot	Nr. / Nr.
E A 5 1	0 1	0 1	0 0 0 0 0 0 0 0