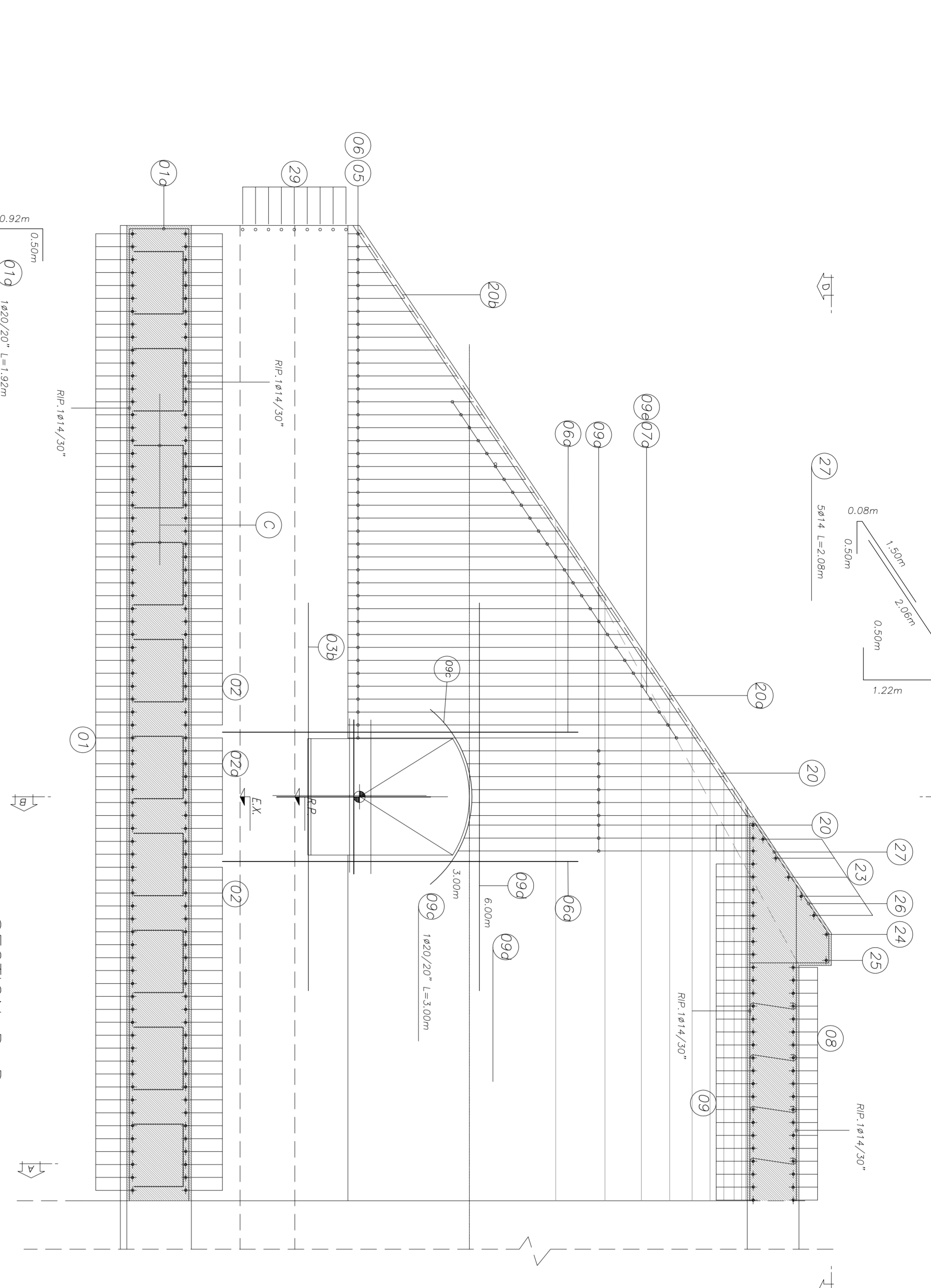
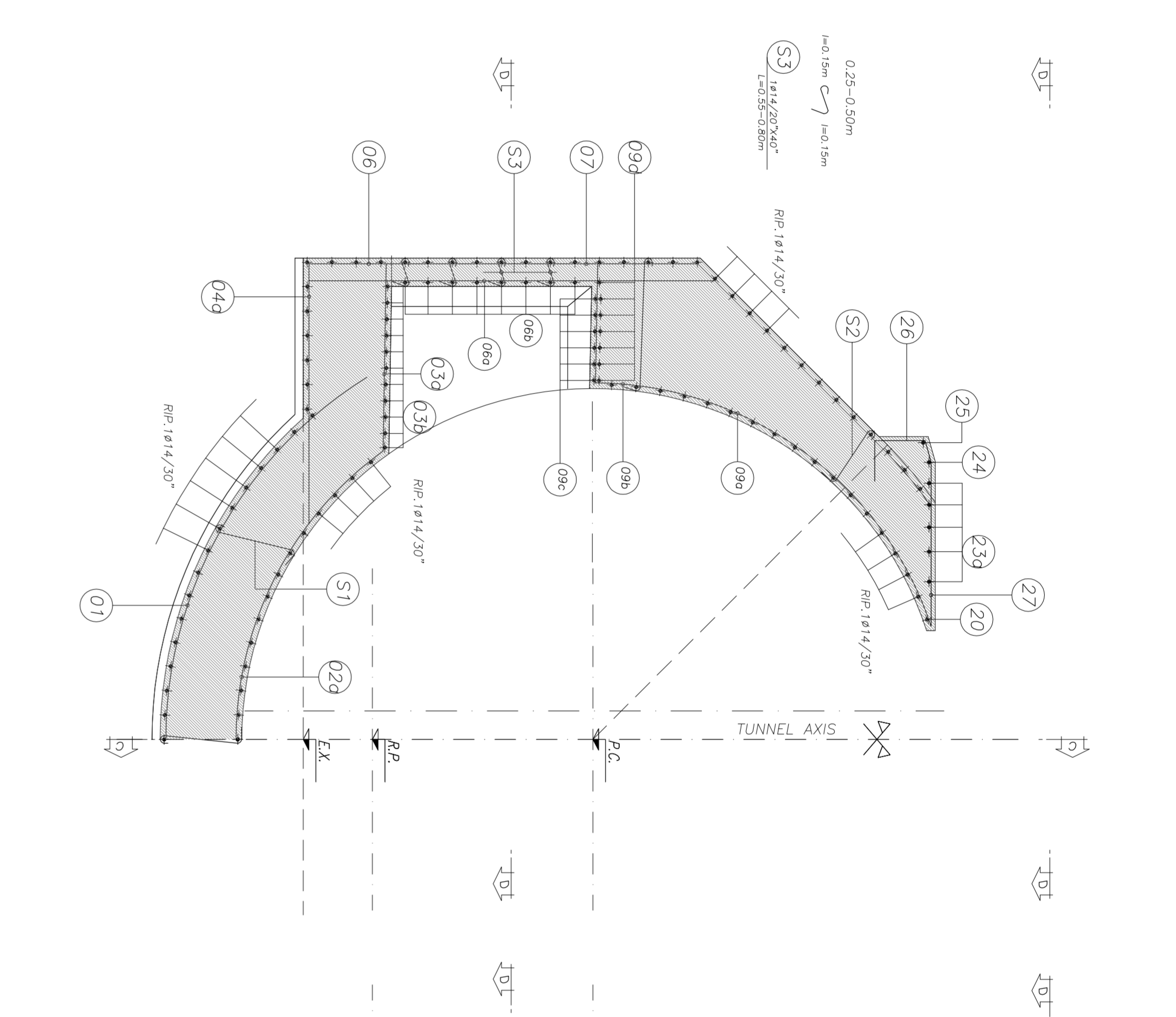


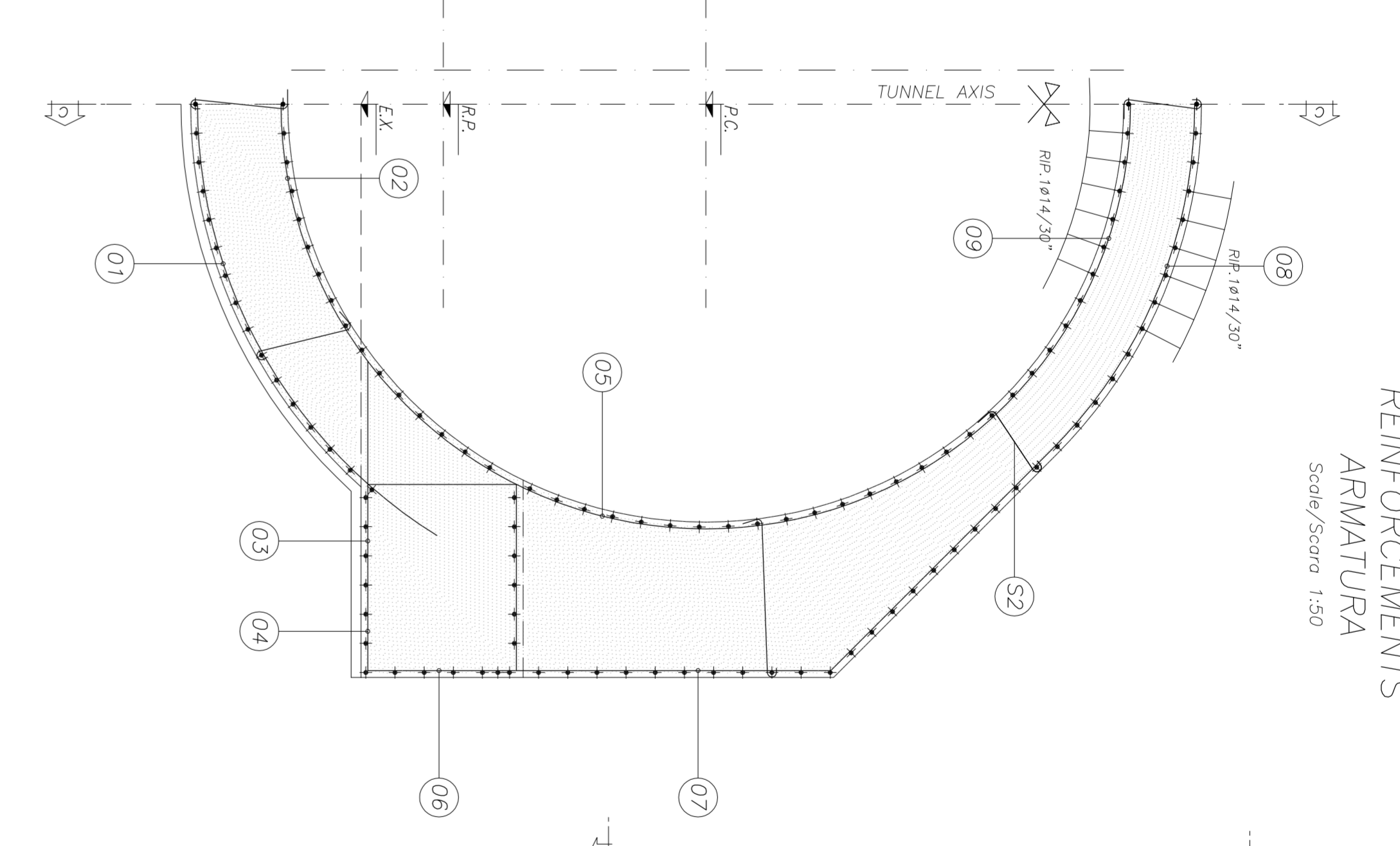
SECTION C-C-C
 SECTIUNEA CURENTA C-C-C
 Scale/Scara 1:50



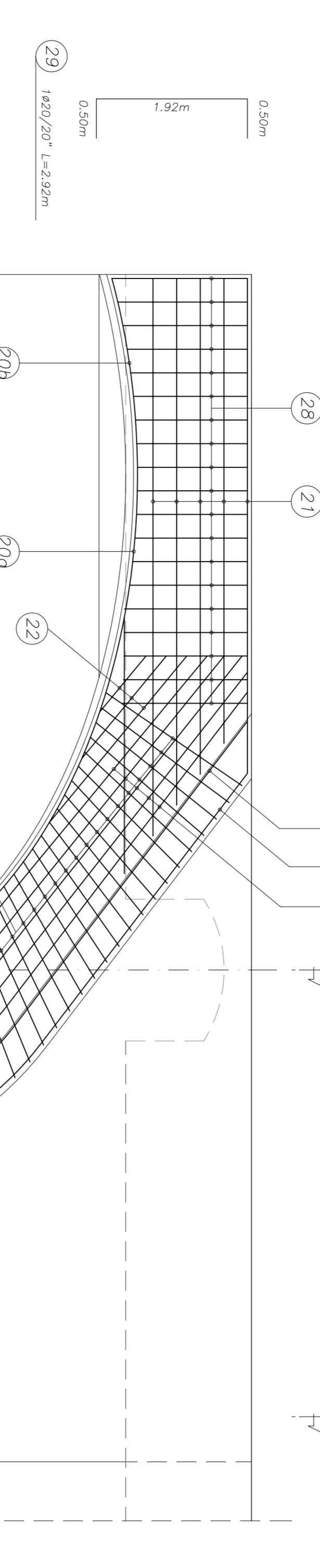
SECTION WITH SHELTER STAFF NICHE B-B
 SECTIUNEA CU NISE PENTRU ADAPOSTUL PERSONALULUI B-B
 Scale/Scara 1:50



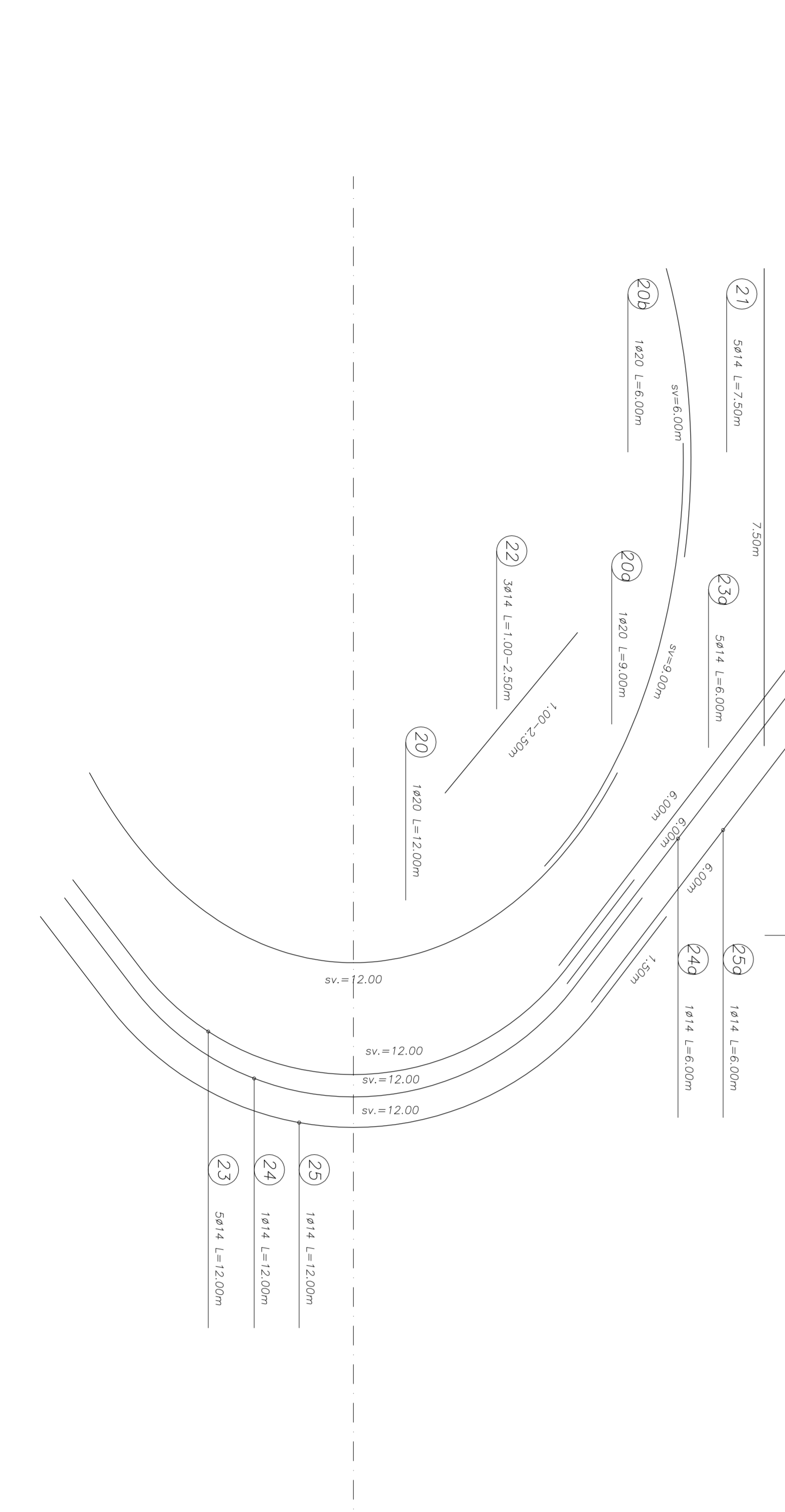
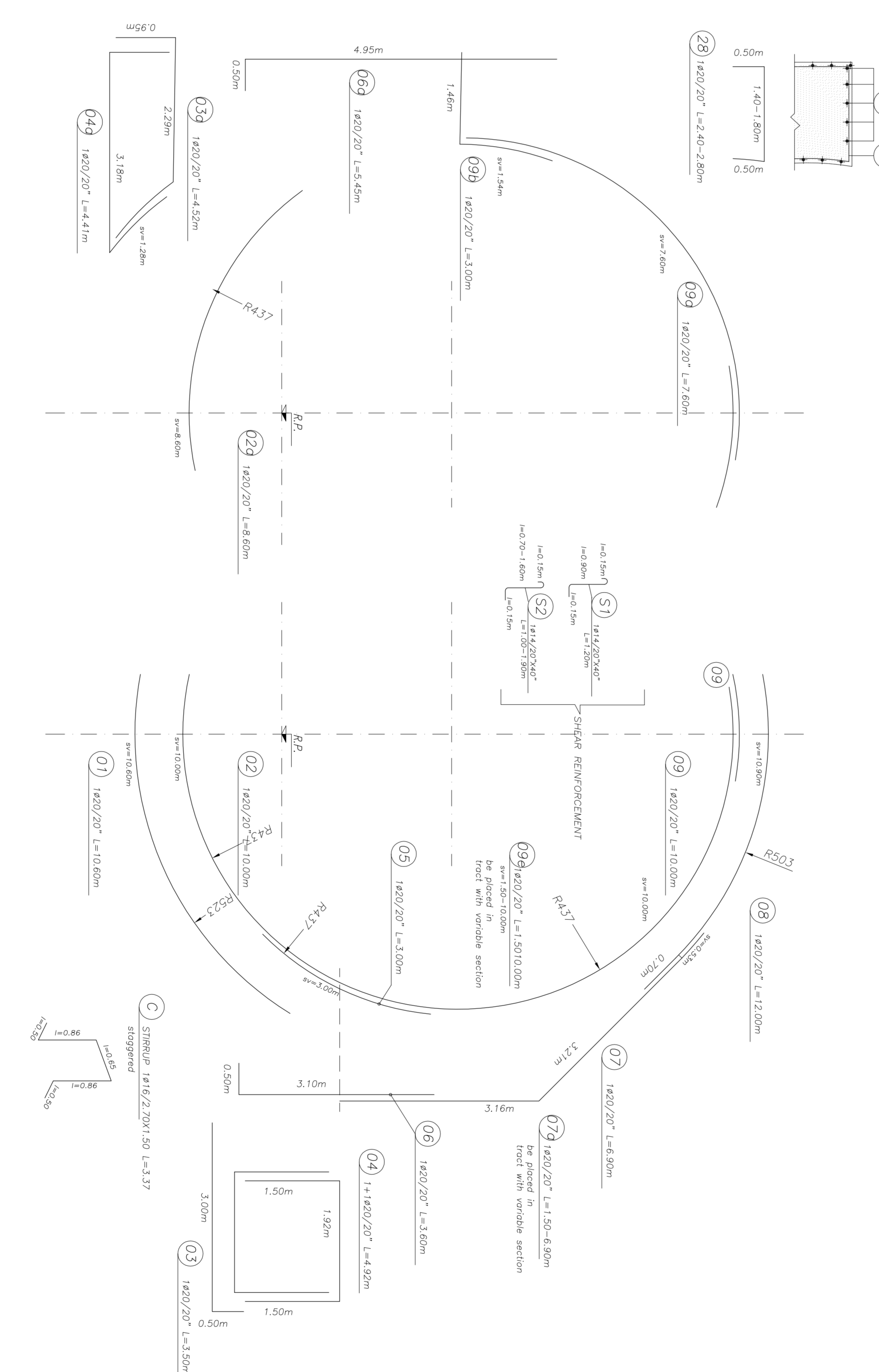
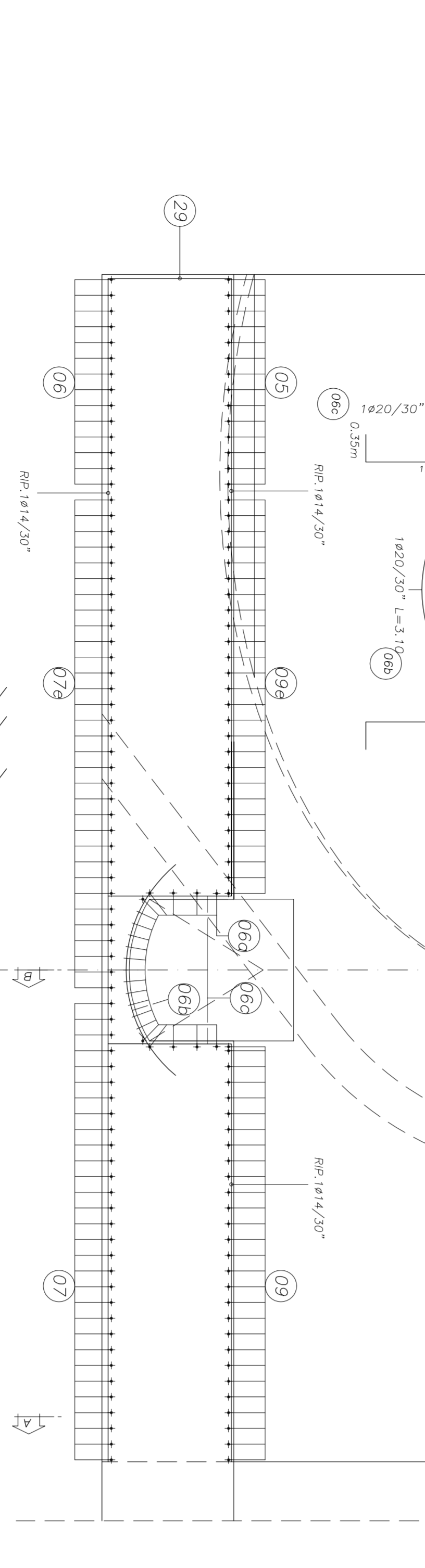
CURRENT SECTION A-A
 SECTIUNEA CURENTA A-A
 ARMATURA
 Scale/Scara 1:50



SECTION D-D-D
 SECTIUNEA CURENTA D-D-D
 Scale/Scara 1:50



SECTION WITH SHELTER STAFF NICHE E-E
 SECTIUNEA CU NISE PENTRU ADAPOSTUL PERSONALULUI E-E
 Scale/Scara 1:50



STEELS TABLE

REFERENCE STEEL:
 - B40C (standard)
 Bending diameter R_b :
 $\# Bw < 400 \rightarrow R_b = 6d$
 $\# Bw 400-606 \rightarrow R_b = 8d$

MATERIAL TABLE

TUNNEL INNER CONCRETE:
 - Type C20
 - $f_{ck} = 20$ MPa
 - Maximal aggregate size d_{max} 40 mm
 - Maximal cement ratio C/S 1.75
 - Exposure class related to environmental conditions XA2
 - Class of concrete cover C 20
 - ρ max aggregate = 30 mm

TUNNEL EXTERNAL CONCRETE:
 - Type C10
 - $f_{ck} = 10$ MPa
 - Maximal aggregate size d_{max} 20 mm
 - Maximal cement ratio C/S 1.75
 - Exposure class related to environmental conditions XA2
 - Class of concrete cover C 20
 - ρ max aggregate = 30 mm

REFERENCE STEEL:
 - B40C (standard)
 - Bending diameter R_b :
 $\# Bw < 400 \rightarrow R_b = 6d$
 $\# Bw 400-606 \rightarrow R_b = 8d$

LENN CONCRETE:
 - Type L1
 - $f_{ck} = 12$ MPa
 - Cement type CEM I/V

LEGEND

RP = REFERENCE PLANE
 EX = EXCAVATIONS PLANE
 PC = CENTER PLANE

CLIENT / CLIENT
 ROMANIAN GOVERNMENT
 EUROPEAN UNION FINANCED PROJECT

CONSULTANT / CONSULTANT
 C. Ghimbăi
 R. Lăuza
 C. Ghimbăi

SUBCONSULTANT / SUBCONSULTANT
 C. Ghimbăi

CLIENT / CLIENT
 CN.C.F. "C.F.R." - S.A.

CONSULTANT / CONSULTANT
 OBERMEYER
 CONSULTING ENGINEERS

SUBCONSULTANT / SUBCONSULTANT
 TECNIC
 CONSULTING ENGINEERS

PROJECT INFORMATION
 Reproduction of the railway line between Sibiu - Sibiu, component part of the TV Pn European, pentru dezvoltarea trenurilor cu viteza mare de 180 km/h.
 Particulars Section: Section 1 Brailor - Sibiu
 P.N. 1.D.
 Fașă: Fașă
 Proiect/Project
 Z044R02/16797A002

Denumire desen / Drawing Title: ENTRANCE RACKS ENTRANCE

Scale / Scara: 1:50

Legend:
 01 02 03 04 05 06 07 08 09 10 11 12 13 14 15 16 17 18 19 20 21 22 23 24 25 26 27 28 29 30 31 32 33 34 35 36 37 38 39 40 41 42 43 44 45 46 47 48 49 50 51 52 53 54 55 56 57 58 59 60 61 62 63 64 65 66 67 68 69 70 71 72 73 74 75 76 77 78 79 80 81 82 83 84 85 86 87 88 89 90 91 92 93 94 95 96 97 98 99 100