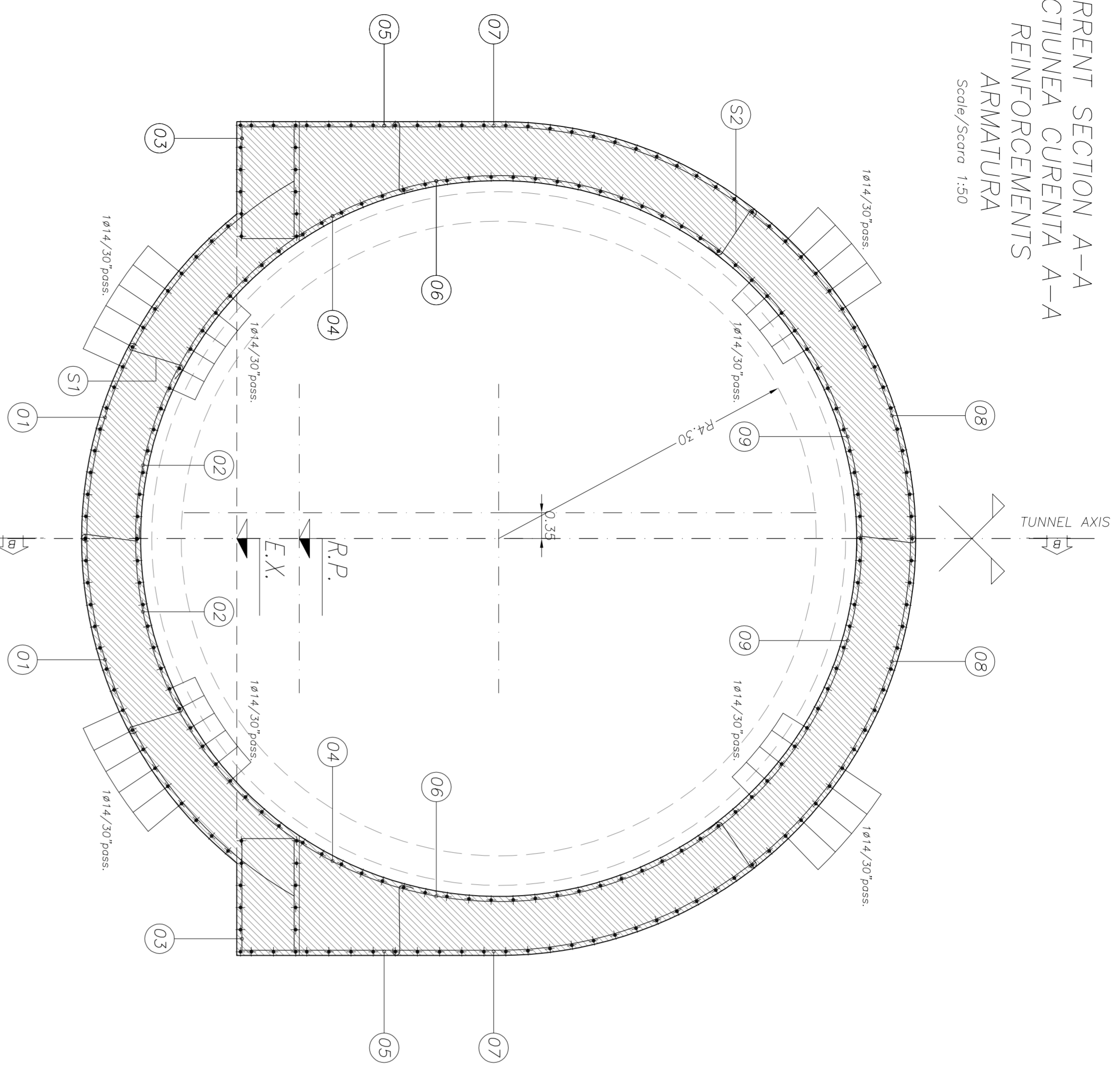
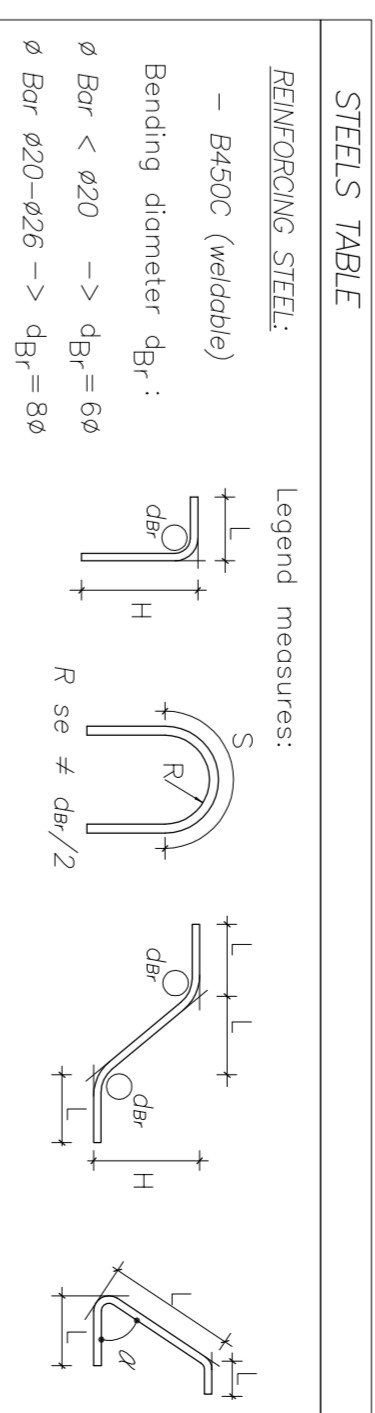
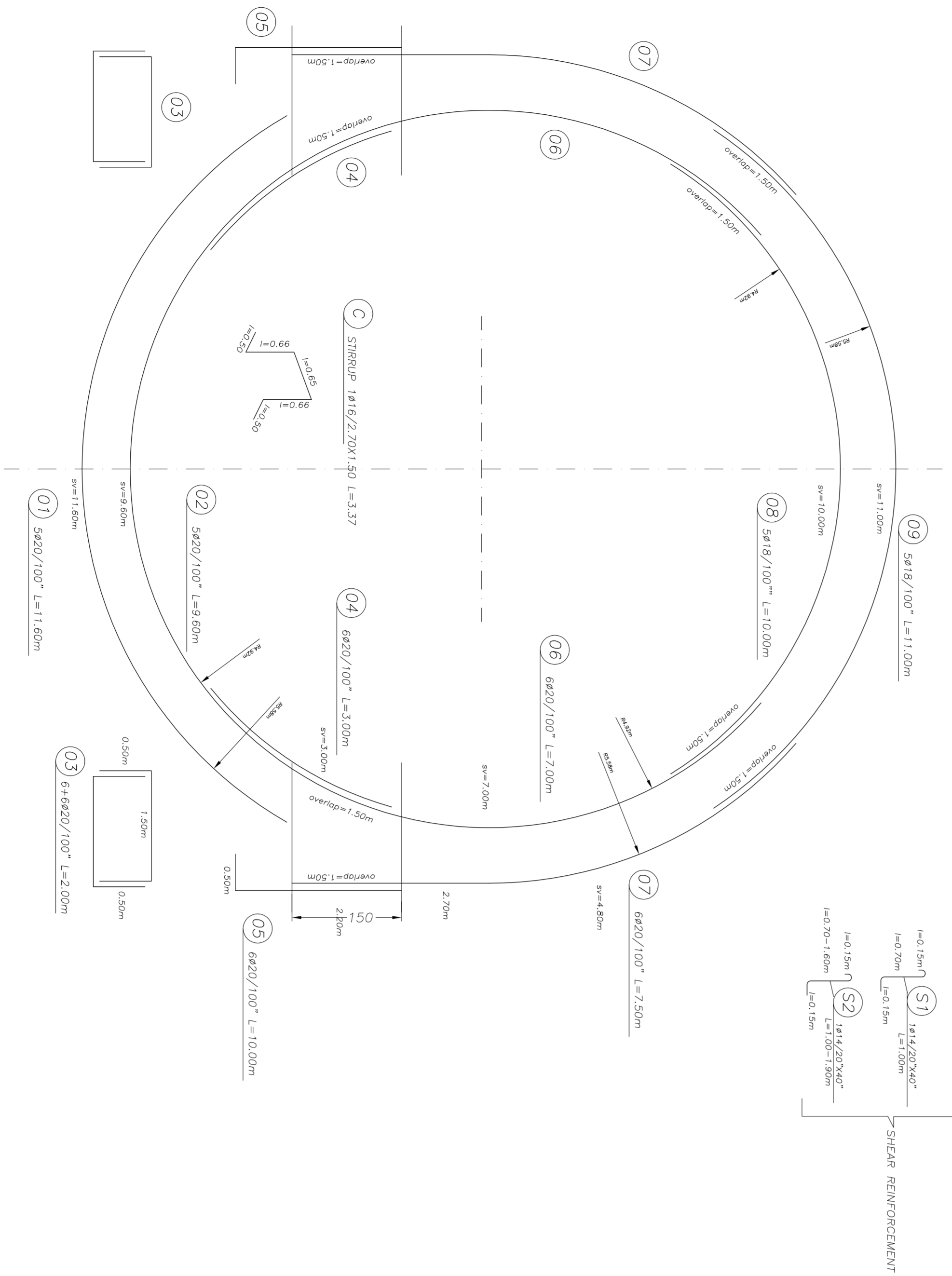
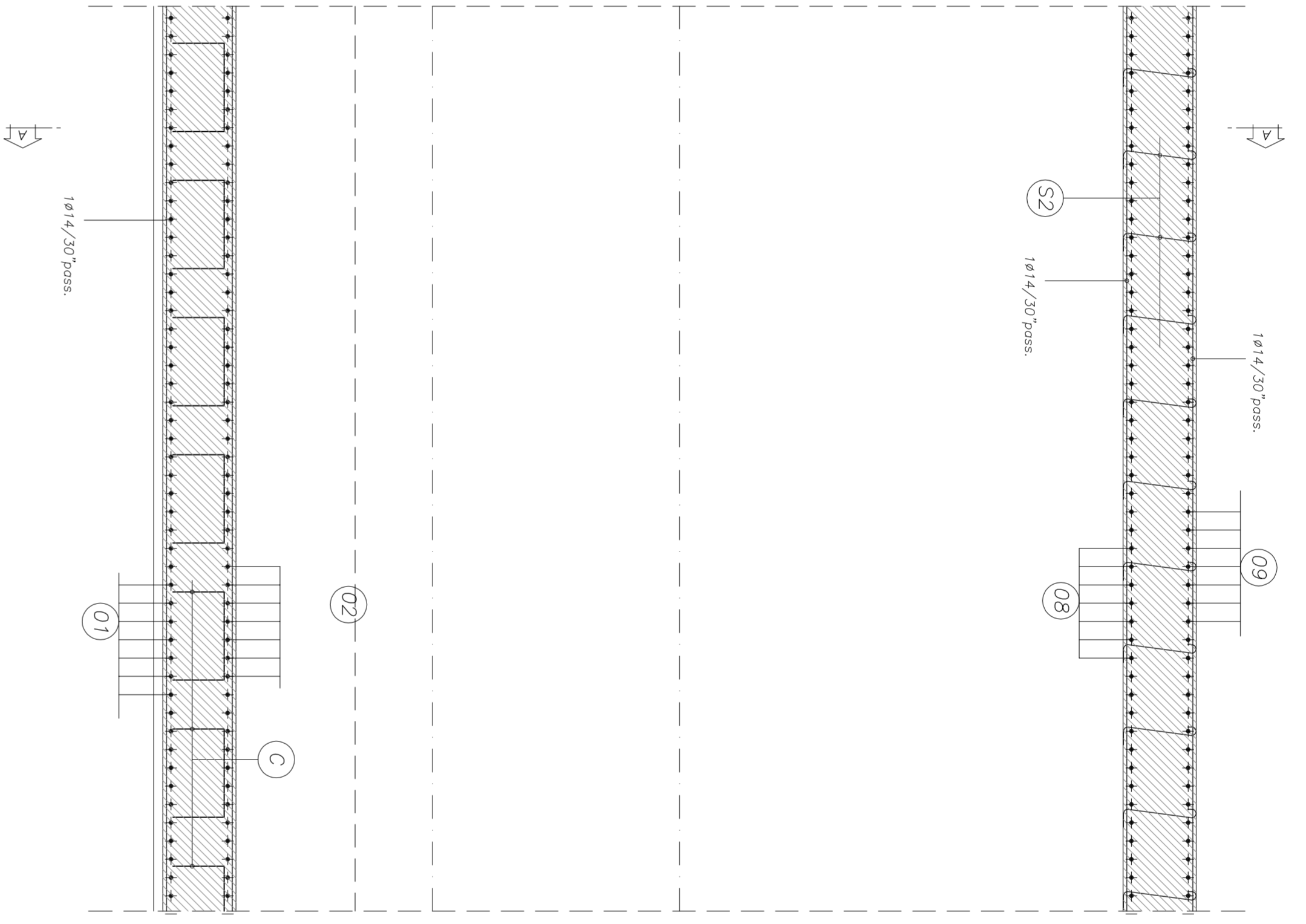


CURRENT SECTION A-A SECȚIUNEA CURENTĂ A-A ARMATURA



CURRENT SECTION B-B SECȚIUNEA CURENTĂ B-B



STEELS TABLE

REFORCING STEEL:

- R40C (used here)
- Bending diameter R_{bp} :
- $\phi_{bar} < 400 \rightarrow \phi_{bp} = \phi_{bar}$
- $\phi_{bar} \geq 400 \rightarrow \phi_{bp} = \phi_{bar}$

MATERIAL TABLE

TUNNEL INNER CONCRETE:

- Type C20
- $f_{ck} > 33$ MPa
- Minimum concrete cover $d_{min} = 45/50$
- Maximum concrete cover $d_{max} = 53/54$
- Exposure class relating to environmental conditions: XA2
- Class of concrete cover: C 20
- ϕ max aggregate = 20 mm

TUNNEL OUTER CONCRETE:

- Type C15
- $f_{ck} > 33$ MPa
- Miner's cement ratio ≤ 0.250
- Maximum concrete cover $d_{max} = 53/54$
- Exposure class relating to environmental conditions: XA2
- Class of concrete cover: C 20
- ϕ max aggregate = 20 mm

REINFORCING STEEL:

- Material confirmed by establishment
- LEZUL CONCRETE:
- Type A
- $f_{ck} > 33$ MPa
- Cement type: CEM I/V

LEGEND
 RP = REFERENCE PLANE
 EX = EXCAVATIONS PLANE
 PC = CENTERS PLANE

Index	Code	Material	Quantity	Approved Engineer	Approved Engineer
A	D10	Handwritten			
B					
C					
D					

CLIENT / CLIENT

ROMANIAN GOVERNMENT
 GOVERNUL ROMÂNIEI
 EUROPEAN UNION FINANCED PROJECT

CONSULTANT / CONSULTANT

CFR
 CN.C.F. "C.F.R." - S.A.

CONSULTANT / CONSULTANT

Approved	Project Engineer	Checked	Scale
R. LUTZA			
Approved	Design Engineer	Checked	Scale
C. GHIMBĂL			
Checked	Design Engineer	Checked	Scale
C. GHIMBĂL			
Checked	Design Engineer	Checked	Scale
C. GHIMBĂL			

SUBCONSULTANT / SUBCONSULTANT

Approved	Project Engineer	Checked	Scale
Approved	Design Engineer	Checked	Scale

CLIENT / CLIENT

ROMANIAN GOVERNMENT
 GOVERNUL ROMÂNIEI
 EUROPEAN UNION FINANCED PROJECT

CONSULTANT / CONSULTANT

CFR
 CN.C.F. "C.F.R." - S.A.

CONSULTANT / CONSULTANT

TALTECH
 UBERMEYER
 TECNIC

PROJECT/Project
 Z044620/167974002
 Faza: Proiect
 P.1h. / 1.0.

Denumire desen / Drawing Title:
 ENTRANCE PAVED ENTRANCE
 ORMEIȘI TUNEL

Scale / Scale: 1:50
 Variant / Variant: 101
 LOT: 01

0	1	2	3	4	5	6	7	8	9	0
---	---	---	---	---	---	---	---	---	---	---

Confirma / Confirmație Signat
 Variet / Variantă
 E.A. 5 1 0 1 C 1 0 B B G A 0 2 0 0 0 9 0