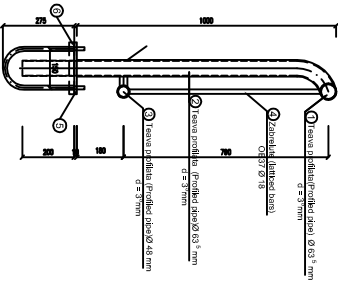
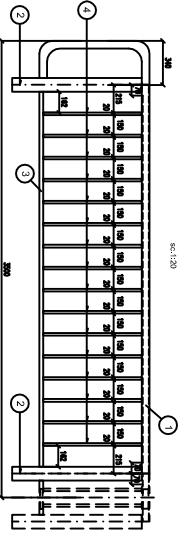


This drawing is forbidden to be copied, lent or used in any way without the written approval of the author.
 Se interzice copierea, dăruirea, împrumutarea sau utilizarea în orice formă a acestui desen fără aprobarea scrisă de la autorul desenului.
 Company or proprietor of document.

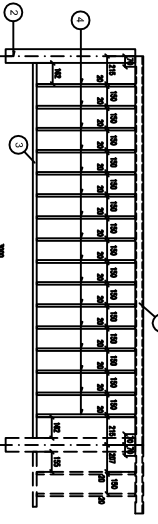
SECȚIUNE TRANSVERSALĂ
 CROSS SECTION
 SEC.110



PARAPET PIETONAL (PEDESTRIAN SAFETYGUARD)

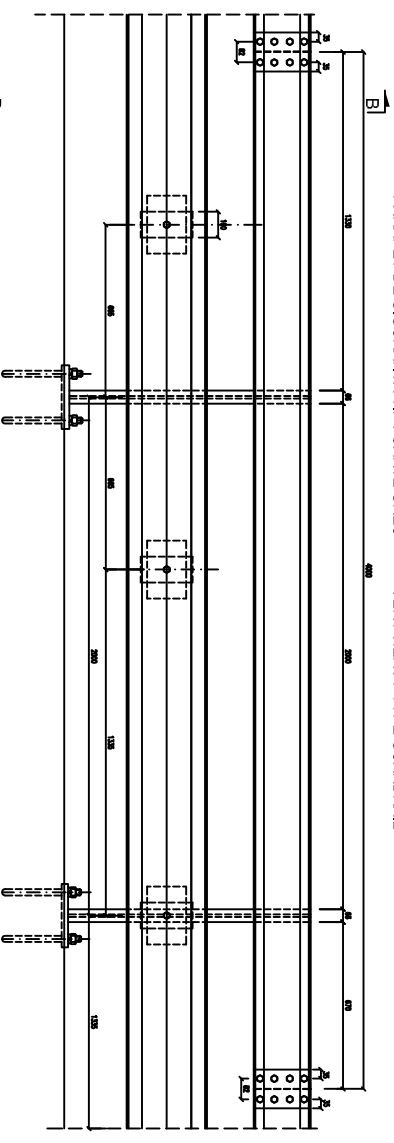


PANOU CURENT (CURRENT PANEL)



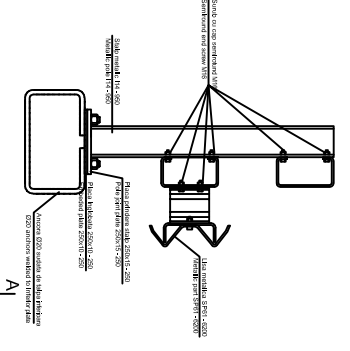
Lpedestrian safetyguard=172.30m x 2 trulare = 345.00m
 Lvery heavy type guardrail=172.30m x 2 trulare = 345.00m
 Lramp pedestriansafetyguard=(153.25m+198.50m) x 2 trulare = 704.00m
 Lvery heavy type guardrail=(153.25m+198.50m) x 2 trulare = 704.00m

VEDERE A-A (VIEW A-A)
 VERY HEAVY TYPE GUARDRAIL



Lparap. piet. pod=172.30m x 2 trulare = 345.00m
 Lparap. dir. tip f. greu pod=172.30m x 2 trulare = 345.00m
 Lparap. piet. rampe=(153.25m+198.50m) x 2 trulare = 704.00m
 Lparap. dir. tip f. greu rampe=(153.25m+198.50m) x 2 trulare = 704.00m

SECTION B-B
 SECTION B-B
 SEC.130



1	2	3	4	5	6	7	8	9	10	11	12	13	14	15	16	17	18	19	20	21	22	23	24	25	26	27	28	29	30	31	32	33	34	35	36	37	38	39	40	41	42	43	44	45	46	47	48	49	50	51	52	53	54	55	56	57	58	59	60	61	62	63	64	65	66	67	68	69	70	71	72	73	74	75	76	77	78	79	80	81	82	83	84	85	86	87	88	89	90	91	92	93	94	95	96	97	98	99	100
---	---	---	---	---	---	---	---	---	----	----	----	----	----	----	----	----	----	----	----	----	----	----	----	----	----	----	----	----	----	----	----	----	----	----	----	----	----	----	----	----	----	----	----	----	----	----	----	----	----	----	----	----	----	----	----	----	----	----	----	----	----	----	----	----	----	----	----	----	----	----	----	----	----	----	----	----	----	----	----	----	----	----	----	----	----	----	----	----	----	----	----	----	----	----	----	----	----	----	-----

CLIENT / CLIENT
 GUVERNUL ROMANIEI
 ROMANIA GOVERNMENT
 ECONOMIC UNION FINANCED BY
 C.N.C.F. "C.F.R." S.A.

CONSULTANT / CONSULTANT
 R. LUZZA
 C. CERNACHE
 V. KOLBROVNIK

SUBCONTRACTANT / SUBCONTRACTOR
 A. DUMBRĂȘA ȘTEFĂN
 11.2011

PROIECT / PROJECT
 PASAJ SUPERIOR / OVER PASS - KM 188+913,85
 PLAN PARAPET / PARAPET PLAN

STATA BOD
 PASAJ SUPERIOR / OVER PASS - KM 188+913,85
 PLAN PARAPET / PARAPET PLAN

DATE
 11.2011

PROIECT / PROJECT
 PASAJ SUPERIOR / OVER PASS - KM 188+913,85
 PLAN PARAPET / PARAPET PLAN