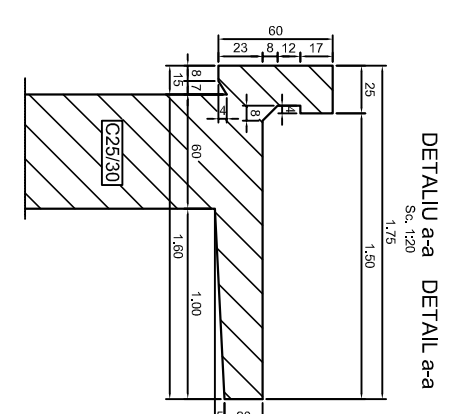


Culea (Abutment)	CL.R	a	b	c	d	e
C 1	510.637	510.447	510.817	508.427	500.927	499.027
C 2	509.835	509.645	510.015	507.525	500.025	498.225



Cerinte minime pentru asigurarea durabilitatii betonului
Beton in elevatie:
 -clasa de expunere = XC4+XF1
 -clasa de rezistenta = C25/30
 -raportul maxim A/C = 0,50
 -tipul de ciment = SR1 42,5 N
 -dozaj minim de ciment (kg/m³) = 300
 -clasa de lasare = S2
 -dimensiunea maxima a agregatelor = 32mm
 -grad de gelivitate = min. P8
 -grad de gelivitate = G100

Cerinte minime pentru asigurarea durabilitatii betonului
Beton in radiera:
 -clasa de expunere = XC2+XC4
 -clasa de rezistenta = C25/30
 -raportul maxim A/C = 0,50
 -tipul de ciment = SR1 42,5 N
 -dozaj minim de ciment (kg/m³) = 300
 -clasa de lasare = S2
 -dimensiunea maxima a agregatelor = 32mm
 -grad de gelivitate = min. P8
 -grad de gelivitate = G100

Cerinte minime pentru asigurarea durabilitatii betonului
Beton in coloane:
 -clasa de expunere = XC2+XC4
 -clasa de rezistenta = C25/30
 -raportul maxim A/C = 0,50
 -tipul de ciment = SR IIA-P 42,5
 -dozaj minim de ciment (kg/m³) = 400
 -clasa de lasare = S2
 -dimensiunea maxima a agregatelor = 32mm
 -grad de impereabilitate = min. P12
 -grad de gelivitate = G100

C25/30 - substructure elevations
 XF1+XC4 expose class
 P10 frost resistance degree
 G100 frost resistance degree
 SR1 42,5N cement type
 0,55 W/C maximum value
 300 minimum cement ratio
 S2 settlement class
 32mm maximum dimension of the aggregates

C25/30 - substructure foundation
 XC2+XC4 expose class
 P10 frost resistance degree
 G100 frost resistance degree
 SR1 42,5N cement type
 0,50 W/C maximum value
 300 minimum cement ratio
 S2 settlement class
 32mm maximum dimension of the aggregates

C25/30 - concrete in columns
 XC2+XC4 expose class
 P10 frost resistance degree
 G100 frost resistance degree
 SR IIA P 42,5 cement type
 0,50 W/C maximum value
 300 minimum cement ratio
 S2 settlement class
 32mm maximum dimension of the aggregates

This drawing is forbidden to be copied, lent or used in other purpose than those previously approved by AREX Lider Company as its owner. Sa interzice copierea, daturarea, imprinutarea sau utilizarea in alte scopuri, fara permisiunea AREX Lider Company ca proprietar al desenului.

GUVERNUL ROMANIEI
 ROMANIAN GOVERNMENT

PROIECT FINANȚAT DE UNIUNEA EUROPEANĂ
 EUROPEAN UNION FINANCED PROJECT

CLIENT / CLIENT

C.N.C.F. "C.F.R." - S.A.

CONSULTANT / CONSULTANT

MAUERER
 SCOTT WILSON
 OBERMEYER PLANET - SERVICE GmbH
 ARDEX

SUBCONTRACTANT / SUBCONTRACTOR

IONELA UNGUREANU

STATIA BOD
 PASAJ SUPEROROVER PASS - KM 182+913.85 L=172.30m
 PLAN COTRAU CULEI/ ABUTMENT FORKWORK PLAN

Scara / Scale 1:100
 LOT / LOT 01/01
 Nr. / No 01/01