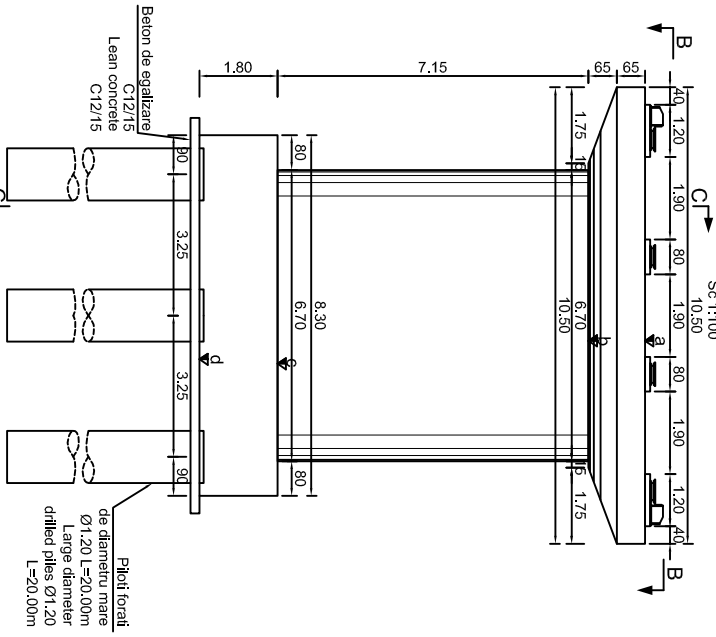
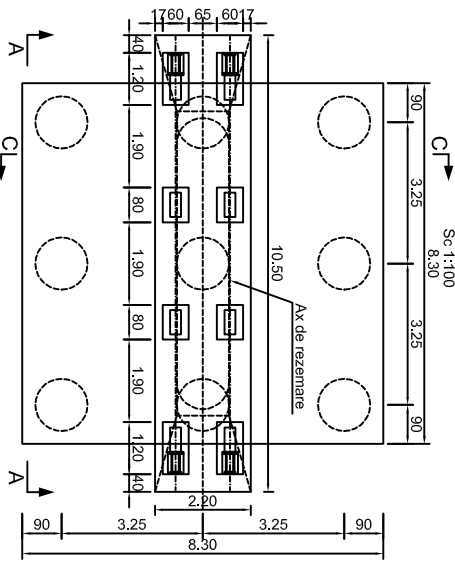


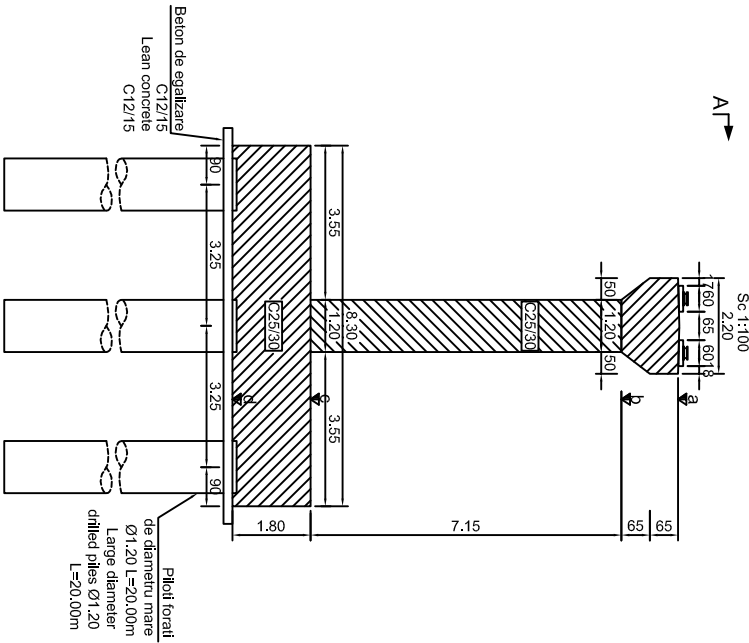
VEDERE A - A VIEW A - A



VEDERE PLAN A B - B PLAN VIEW B - B



SECTIUNE C - C SECTION C - C



Pila (Pier)	C.L.R	a	b	c	d
P 1	511.502	509.302	508.002	502.152	500.352
P 2	511.432	509.232	507.932	502.082	500.282
P 3	511.267	509.067	507.767	501.917	500.117
P 4	511.011	508.811	507.511	501.661	499.861

**Cerinte minime pentru asigurarea durabilitatii betonului**  
**Beton in elevatie:**

- clasa de expunere = XC4+XF1
- clasa de rezistenta = C25/30
- raportul maxim A/C = 0,50
- tipul de ciment = SR I 42,5 N
- dozaj minim de ciment ( kg/mc ) = 300
- clasa de tasare = S2
- dimensiunea maxima a agregatelor = 32mm
- grad de impermeabilitate = min. P8
- grad de gelivitate = G100

**Cerinte minime pentru asigurarea durabilitatii betonului**  
**Beton in radiera :**

- clasa de expunere = XC2+XC4
- clasa de rezistenta = C25/30
- raportul maxim A/C = 0,50
- tipul de ciment = SR I 42,5 N
- dozaj minim de ciment ( kg/mc ) = 300
- clasa de tasare = S2
- dimensiunea maxima a agregatelor = 32mm
- grad de impermeabilitate = min. P8
- grad de gelivitate = G100

**Cerinte minime pentru asigurarea durabilitatii betonului**  
**Beton in coloane :**

- clasa de expunere = XC2+XC4
- clasa de rezistenta = C25/30
- raportul maxim A/C = 0,50
- tipul de ciment = SR III/A+P 42,5
- dozaj minim de ciment ( kg/mc ) = 400
- clasa de tasare = S2
- dimensiunea maxima a agregatelor = 32mm
- grad de impermeabilitate = min. P10
- grad de gelivitate = G100

**C25/30 - substructure elevations**

- XF1+XC4 expose class
- P<sub>10</sub> impermeability degree
- G100 frost resistance degree
- SR I 42.5N cement type
- 0.55 W/C maximum value
- 300 minimum cement ratio
- S2 settlement class
- 32mm maximum dimension of the aggregates

**C25/30 - substructure foundation**

- XC2+XC4 expose class
- P<sub>10</sub> impermeability degree
- G100 frost resistance degree
- SR I 42.5N cement type
- 0.50 W/C maximum value
- 300 minimum cement ratio
- S2 settlement class
- 32mm maximum dimension of the aggregates

**C25/30 - concrete in columns**

- XC2+XC4 expose class
- P<sub>10</sub> impermeability degree
- G100 frost resistance degree
- SR III/A P 42.5 cement type
- 0.50 W/C maximum value
- 300 minimum cement ratio
- S2 settlement class
- 32mm maximum dimension of the aggregates

This drawing is forbidden to be copied, lent or used in other purposes than those previously approved by AREX Lider Company as its owner. Se interzice copierea, dăruirea, împrumutarea sau utilizarea în alte scopuri, fără permisiunea AREX Lider Company ca proprietar al desenului.

Index	Date	Modificari	Proiectant	Approbat
A	11.2011	Reviz. 1	Loreda Ungureanu	Approbat CFR
B				
C				
D				

GUVERNUL ROMANIEI ROMANIAN GOVERNMENT

PROIECT FINANȚAT DE UNIUNEA EUROPEANĂ EUROPEAN UNION FINANCED PROJECT

**CLIENT / CLIENT**

C.N.C.F. "C.F.R." - S.A.

**CONSULTANT / CONSULTANT**

TECNIC Consulting Engineers

FLAHERR, SCOTT & WILSON, OBERMEYER FLAHER + BERATAN GMBH

Approved	Project manager	Date	Signature
Approved	R. Lituzza		
Approved	C. Gambelli		
Checked	V.Kallidromitis		

Approved	Subcontractant Responsible	Date	Signature
Approved	A. Dinulescu Stancu	11.2011	
Checked	Ionela Ungureanu	11.2011	

**SUBCONTRACTANT / SUBCONTRACTOR**

Reabilitarea liniei de cale ferata Brasov - Simeria, parte componenta a coridorului IV Pan European, pentru circulatia trenurilor cu viteza maxima de 160 km/h, **Tronsoani : Brasov - Sighisoara**

Renovation of the railway line Brasov - Simeria, component Part of the IV Pan-European Corridor, for the trains circulation with maximum speed of 160 km/h, **Section : Brasov - Sighisoara**

Proiect/Project 2004/RO/16/PA/003

Faza / Phase: P.Th. / T.D.

Denumire desen / Drawing Title : **STATIA BOD PASAU SUPERIOR / OVER PASS - KM 182+913.85 L=172.30m PLAN CORRAJ PILE / PIER FORMWORK PLAN**

Scara / Scale 1:100

Lot / LOT

Nr. / No 01/01

Codificare / Codification System: E A 5 1 | 0 1 | E | 0 5 | B A | P A | 0 0 | 1 | 1 | 0 0 6 | 1