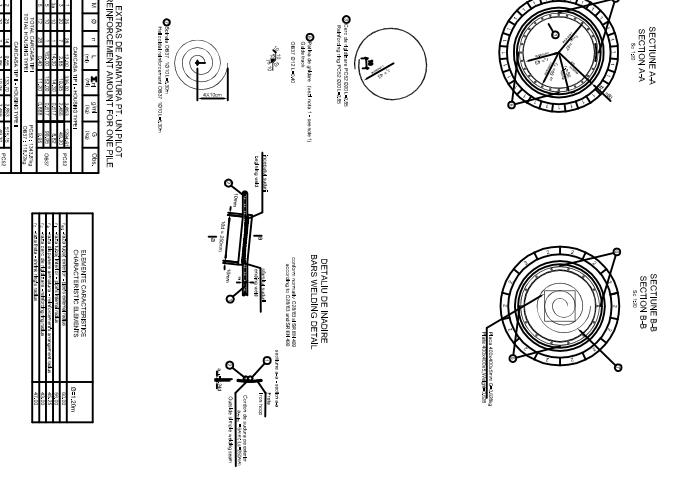
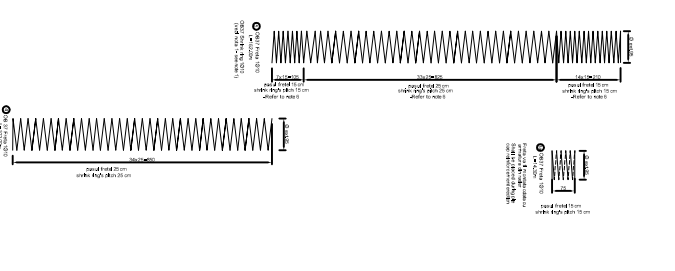
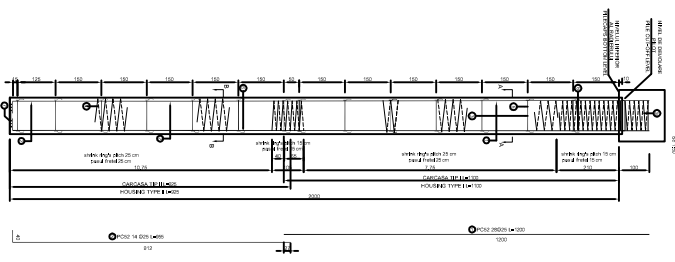
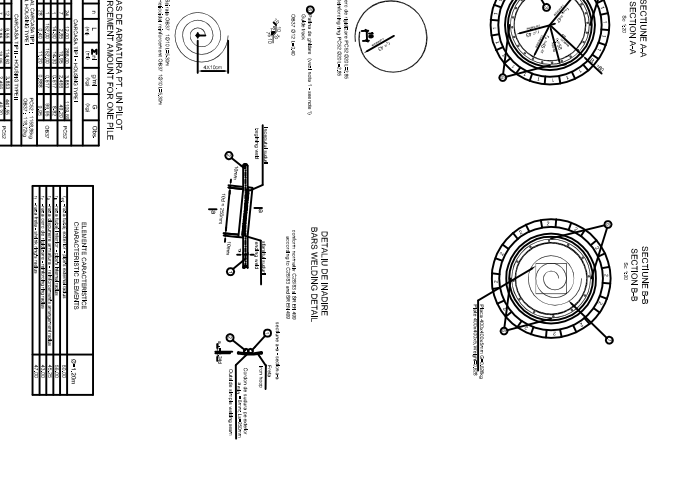
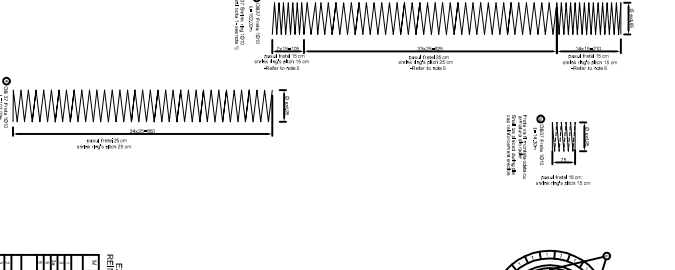
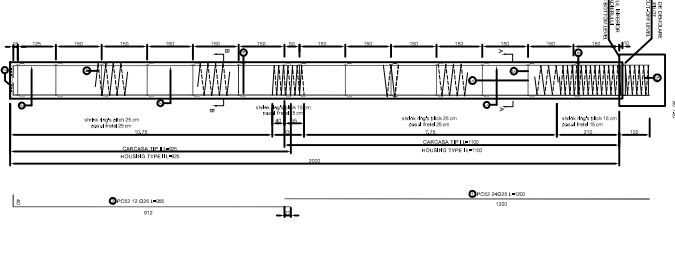


ARMARE PLOT COLOANE - RELE REINFORCEMENT - ADJUSTMENTS

1:2000 (ARMARE PLOT COLOANE) / 1:2000 (RE. REINFORCEMENT - ADJUSTMENTS)



NOTE
 1. To be used in conjunction with the drawings of the project.
 2. The reinforcement shall be placed in accordance with the specifications of the project.
 3. The reinforcement shall be placed in accordance with the specifications of the project.
 4. The reinforcement shall be placed in accordance with the specifications of the project.
 5. The reinforcement shall be placed in accordance with the specifications of the project.



NOTE
 1. To be used in conjunction with the drawings of the project.
 2. The reinforcement shall be placed in accordance with the specifications of the project.
 3. The reinforcement shall be placed in accordance with the specifications of the project.
 4. The reinforcement shall be placed in accordance with the specifications of the project.
 5. The reinforcement shall be placed in accordance with the specifications of the project.

EXTRAS DE ARMATURA PT. ANULIOT REINFORCEMENT ADJUSTMENTS FOR ONE PIECE

NO.	DIAGRAMA	REMARKS	UNIT	QUANTITY
1	1	REINFORCEMENT ADJUSTMENTS FOR ONE PIECE	m ²	1000
2	2	REINFORCEMENT ADJUSTMENTS FOR ONE PIECE	m ²	1000
3	3	REINFORCEMENT ADJUSTMENTS FOR ONE PIECE	m ²	1000
4	4	REINFORCEMENT ADJUSTMENTS FOR ONE PIECE	m ²	1000
5	5	REINFORCEMENT ADJUSTMENTS FOR ONE PIECE	m ²	1000
6	6	REINFORCEMENT ADJUSTMENTS FOR ONE PIECE	m ²	1000
7	7	REINFORCEMENT ADJUSTMENTS FOR ONE PIECE	m ²	1000
8	8	REINFORCEMENT ADJUSTMENTS FOR ONE PIECE	m ²	1000
9	9	REINFORCEMENT ADJUSTMENTS FOR ONE PIECE	m ²	1000
10	10	REINFORCEMENT ADJUSTMENTS FOR ONE PIECE	m ²	1000
11	11	REINFORCEMENT ADJUSTMENTS FOR ONE PIECE	m ²	1000
12	12	REINFORCEMENT ADJUSTMENTS FOR ONE PIECE	m ²	1000
13	13	REINFORCEMENT ADJUSTMENTS FOR ONE PIECE	m ²	1000
14	14	REINFORCEMENT ADJUSTMENTS FOR ONE PIECE	m ²	1000
15	15	REINFORCEMENT ADJUSTMENTS FOR ONE PIECE	m ²	1000
16	16	REINFORCEMENT ADJUSTMENTS FOR ONE PIECE	m ²	1000
17	17	REINFORCEMENT ADJUSTMENTS FOR ONE PIECE	m ²	1000
18	18	REINFORCEMENT ADJUSTMENTS FOR ONE PIECE	m ²	1000
19	19	REINFORCEMENT ADJUSTMENTS FOR ONE PIECE	m ²	1000
20	20	REINFORCEMENT ADJUSTMENTS FOR ONE PIECE	m ²	1000

EXTRAS DE ARMATURA PT. ANULIOT REINFORCEMENT ADJUSTMENTS FOR ONE PIECE

NO.	DIAGRAMA	REMARKS	UNIT	QUANTITY
1	1	REINFORCEMENT ADJUSTMENTS FOR ONE PIECE	m ²	1000
2	2	REINFORCEMENT ADJUSTMENTS FOR ONE PIECE	m ²	1000
3	3	REINFORCEMENT ADJUSTMENTS FOR ONE PIECE	m ²	1000
4	4	REINFORCEMENT ADJUSTMENTS FOR ONE PIECE	m ²	1000
5	5	REINFORCEMENT ADJUSTMENTS FOR ONE PIECE	m ²	1000
6	6	REINFORCEMENT ADJUSTMENTS FOR ONE PIECE	m ²	1000
7	7	REINFORCEMENT ADJUSTMENTS FOR ONE PIECE	m ²	1000
8	8	REINFORCEMENT ADJUSTMENTS FOR ONE PIECE	m ²	1000
9	9	REINFORCEMENT ADJUSTMENTS FOR ONE PIECE	m ²	1000
10	10	REINFORCEMENT ADJUSTMENTS FOR ONE PIECE	m ²	1000
11	11	REINFORCEMENT ADJUSTMENTS FOR ONE PIECE	m ²	1000
12	12	REINFORCEMENT ADJUSTMENTS FOR ONE PIECE	m ²	1000
13	13	REINFORCEMENT ADJUSTMENTS FOR ONE PIECE	m ²	1000
14	14	REINFORCEMENT ADJUSTMENTS FOR ONE PIECE	m ²	1000
15	15	REINFORCEMENT ADJUSTMENTS FOR ONE PIECE	m ²	1000
16	16	REINFORCEMENT ADJUSTMENTS FOR ONE PIECE	m ²	1000
17	17	REINFORCEMENT ADJUSTMENTS FOR ONE PIECE	m ²	1000
18	18	REINFORCEMENT ADJUSTMENTS FOR ONE PIECE	m ²	1000
19	19	REINFORCEMENT ADJUSTMENTS FOR ONE PIECE	m ²	1000
20	20	REINFORCEMENT ADJUSTMENTS FOR ONE PIECE	m ²	1000

EXTRAS DE ARMATURA PT. ANULIOT REINFORCEMENT ADJUSTMENTS FOR ONE PIECE

NO.	DIAGRAMA	REMARKS	UNIT	QUANTITY
1	1	REINFORCEMENT ADJUSTMENTS FOR ONE PIECE	m ²	1000
2	2	REINFORCEMENT ADJUSTMENTS FOR ONE PIECE	m ²	1000
3	3	REINFORCEMENT ADJUSTMENTS FOR ONE PIECE	m ²	1000
4	4	REINFORCEMENT ADJUSTMENTS FOR ONE PIECE	m ²	1000
5	5	REINFORCEMENT ADJUSTMENTS FOR ONE PIECE	m ²	1000
6	6	REINFORCEMENT ADJUSTMENTS FOR ONE PIECE	m ²	1000
7	7	REINFORCEMENT ADJUSTMENTS FOR ONE PIECE	m ²	1000
8	8	REINFORCEMENT ADJUSTMENTS FOR ONE PIECE	m ²	1000
9	9	REINFORCEMENT ADJUSTMENTS FOR ONE PIECE	m ²	1000
10	10	REINFORCEMENT ADJUSTMENTS FOR ONE PIECE	m ²	1000
11	11	REINFORCEMENT ADJUSTMENTS FOR ONE PIECE	m ²	1000
12	12	REINFORCEMENT ADJUSTMENTS FOR ONE PIECE	m ²	1000
13	13	REINFORCEMENT ADJUSTMENTS FOR ONE PIECE	m ²	1000
14	14	REINFORCEMENT ADJUSTMENTS FOR ONE PIECE	m ²	1000
15	15	REINFORCEMENT ADJUSTMENTS FOR ONE PIECE	m ²	1000
16	16	REINFORCEMENT ADJUSTMENTS FOR ONE PIECE	m ²	1000
17	17	REINFORCEMENT ADJUSTMENTS FOR ONE PIECE	m ²	1000
18	18	REINFORCEMENT ADJUSTMENTS FOR ONE PIECE	m ²	1000
19	19	REINFORCEMENT ADJUSTMENTS FOR ONE PIECE	m ²	1000
20	20	REINFORCEMENT ADJUSTMENTS FOR ONE PIECE	m ²	1000

EXTRAS DE ARMATURA PT. ANULIOT REINFORCEMENT ADJUSTMENTS FOR ONE PIECE

NO.	DIAGRAMA	REMARKS	UNIT	QUANTITY
1	1	REINFORCEMENT ADJUSTMENTS FOR ONE PIECE	m ²	1000
2	2	REINFORCEMENT ADJUSTMENTS FOR ONE PIECE	m ²	1000
3	3	REINFORCEMENT ADJUSTMENTS FOR ONE PIECE	m ²	1000
4	4	REINFORCEMENT ADJUSTMENTS FOR ONE PIECE	m ²	1000
5	5	REINFORCEMENT ADJUSTMENTS FOR ONE PIECE	m ²	1000
6	6	REINFORCEMENT ADJUSTMENTS FOR ONE PIECE	m ²	1000
7	7	REINFORCEMENT ADJUSTMENTS FOR ONE PIECE	m ²	1000
8	8	REINFORCEMENT ADJUSTMENTS FOR ONE PIECE	m ²	1000
9	9	REINFORCEMENT ADJUSTMENTS FOR ONE PIECE	m ²	1000
10	10	REINFORCEMENT ADJUSTMENTS FOR ONE PIECE	m ²	1000
11	11	REINFORCEMENT ADJUSTMENTS FOR ONE PIECE	m ²	1000
12	12	REINFORCEMENT ADJUSTMENTS FOR ONE PIECE	m ²	1000
13	13	REINFORCEMENT ADJUSTMENTS FOR ONE PIECE	m ²	1000
14	14	REINFORCEMENT ADJUSTMENTS FOR ONE PIECE	m ²	1000
15	15	REINFORCEMENT ADJUSTMENTS FOR ONE PIECE	m ²	1000
16	16	REINFORCEMENT ADJUSTMENTS FOR ONE PIECE	m ²	1000
17	17	REINFORCEMENT ADJUSTMENTS FOR ONE PIECE	m ²	1000
18	18	REINFORCEMENT ADJUSTMENTS FOR ONE PIECE	m ²	1000
19	19	REINFORCEMENT ADJUSTMENTS FOR ONE PIECE	m ²	1000
20	20	REINFORCEMENT ADJUSTMENTS FOR ONE PIECE	m ²	1000

NO.	DATE	MODIFICATIONS	DESIGNED	APPROVED	APPROVED
D					
C					
B					
A					
Initials	DATE	MODIFICATIONS	DESIGNED	APPROVED	APPROVED

CLIENT / CLIENT
 GUVERNUL ROMANIA
 ROMANIAN GOVERNMENT
 PROIECT FINANCIAT DE UNIUNEA EUROPEA
 EUROPEAN UNION FINANCED PROJECT
 C.N.C.F. "C.F.R." - S.A.

CONSULTANT / CONSULTANT
 S&P CONSULTANTS
 CONSULTANT
 R. LIZZI
 C. GAMBELLI
 V. KALIKRONIS

SUBCONTRACTANT / SUBCONTRACTOR
 A. DINESCU SIMONDI
 IONELA UNGUREANU
 02.2012

Demnitate desen / Drawing Title :
 STATA / STATION FELDIOARA
 PASAJ SUPERIOR / OVER PASS - KM 191+938.80
 PLAN ARMARE COLOANE / REINFORCEMENT COLUMNS PLAN

Scale / Scale
 1:500
 LOT / LOT
 K1 / 1
 K1 / 1

EA51 01 E 07 BC PA 00 4 1 016 0