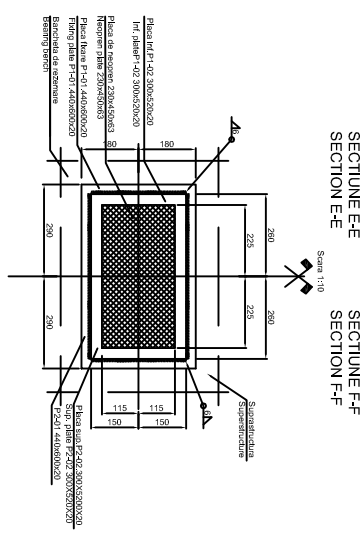
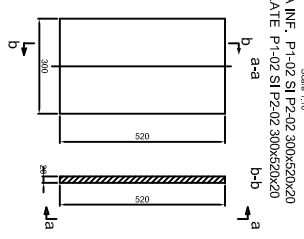
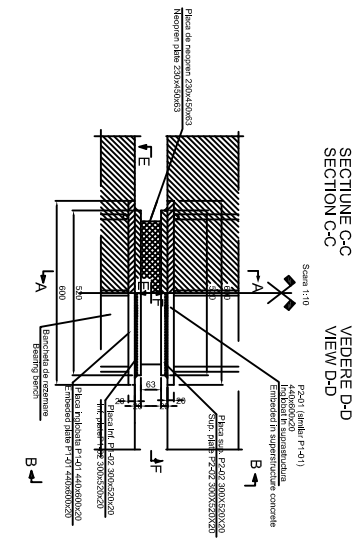
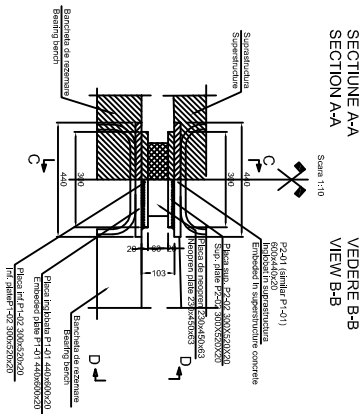


DISPOZITIE GENERALA

APARAT DE REAZEM TIP 12 230x450x63 - MOBIL, R max=150; Umax=36 mm
BEARING TYPE 12 230x450x63 - MOBILE, R max=150; Umax=36 mm

DETALII DE UZINARE PLACI METALICE

PLACA INF. P1-02 SI P2-02 300x520x20
INF. PLATE P1-02 SI P2-02 300x520x20



M	DEZINARE PIESA PIECE NAME	DIMENSION (mm)	NR. BUC.	GR. BUC. (kg)	COEFICIENT TOTAL (kg)
P1-02	Placa inferioara	300x520x20	1	24.492	24.492
P2-02	Placa superioara	300x520x20	1	24.492	24.492
TOTAL MATERIAL METALIC PT. 1 APARAT DE REAZEM MOBIL					48.984
TOTAL MATERIAL METALIC PT. INTREG PASAJUL, agurcare x 10rand x 49.00=1960.00kg					49.00
TOTAL APARATE REAZEM NEOPREN PT. INTREG PASAJUL					49

M	PIECE NAME	DIMENSIONS (mm)	PIECE NO.	WEIGHTS (kg)	TOTAL WEIGHT (kg)
P1-02	inferior plate	300x520x20	1	24.492	24.492
P2-02	superior plate	300x520x20	1	24.492	24.492
TOTAL METALIC MATERIAL FOR ENTIRE BEARING DEVICE					48.984
TOTAL METALIC MATERIAL FOR ENTIRE BEARING DEVICE - 48rand x 10rand x 49.00=1960.00kg					49.00
TOTAL NEOPREN BEARING DEVICES FOR ENTIRE BRIDGE					49

PIESE SOLIDARIZATE	h. cordon (mm)	Nr. cordoan	L. total (mm)	Observatii
P1-01 sau P1-02	1640	1	1640	8
P2-01 sau P2-02	1640	1	1640	8
Lungime totala 1 cordoan separat de reazem metalic: 3.30m				
Lungime totala cordoane la tv. total separate de reazem lae 3.30x4=13.20m				

JOINED PIECES	h. bead (mm)	Bead length (mm)	Total (mm)	Observations
P1-01 sau P1-02	1640	1	1640	8
P2-01 sau P2-02	1640	1	1640	8
Total bead length for total number of bead bearings 3.30x4=13.20m				

PLACA DE NEOPREN 230x450x63
NEOPREN PLATE 230x450x63

This drawing is forbidden to be copied, lent or used in other purposes than those previously approved by MEC Leader Company as its owner. Se interzice copierea, darea in folosinta sau utilizarea in alte scopuri decat cele anterior aprobate de MEC Leader Company cu exceptia de desene tehnice.

D	C	B	A	Index
			11/2011	11/2011
			11/2011	11/2011
			11/2011	11/2011
			11/2011	11/2011

CLIENT CLIENT
CFR
C.N.C.F. "C.F.R." - S.A.

CONSULTANT / CONSULTANT
R. LUZZA
C. GAMBELLI
V. KALLITRIBIS

SUBCONTRACTANT / SUBCONTRACTOR
A. DIMITRESCU STANCIU
11/2011

Reabilitarea liniei de cale ferata Brasov - Sibiu, partea componenta a a coridorului I
1) Partea Europeana, fara a se depasi de 150 km/h, Tonsional : Brasov - Sibiu
Rehabilitation of the railway line Brasov - Sibiu, component Part of the I Part-European
Corridor, for the trains circulation with maximum speed of 150 km/h.
Section : Brasov - Sibiu

INTERVAL RACOS - CATIA
PASAJ SUPERIOR / OVER PASS - KM 225+068.122 L=116.20m
PLAN APARAT DE REAZEM MOBIL TIP 12 DEVICE SUPPORT PLAN

Denumirea desen / Drawing Title :

Scale / Scara

Lot / LOT

Nr. / Nr

01/01

EA51 01 E 12 BK PA 00 3 1 01 2 1