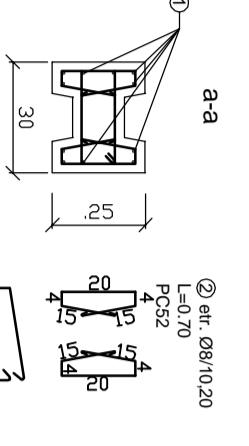
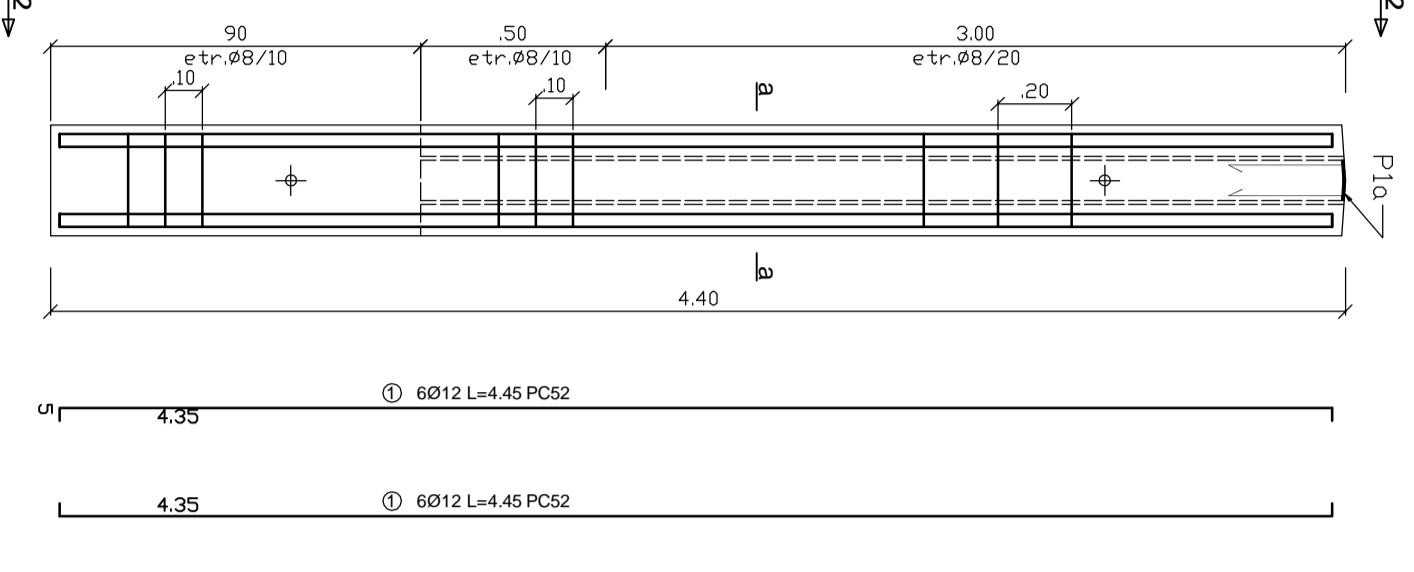
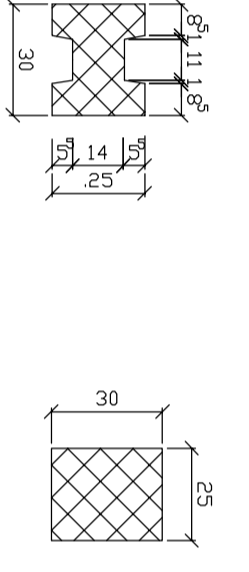
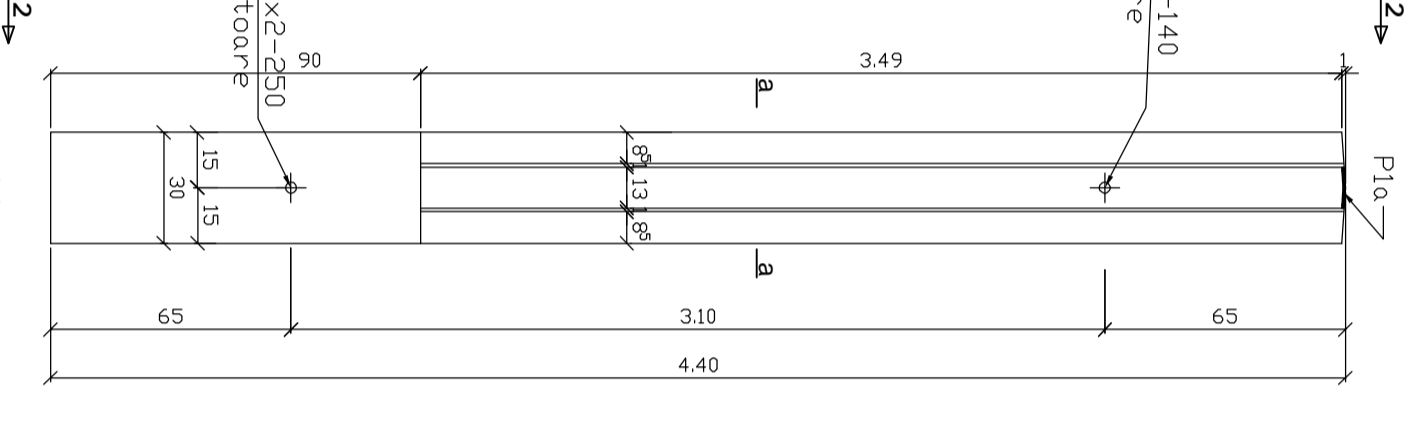


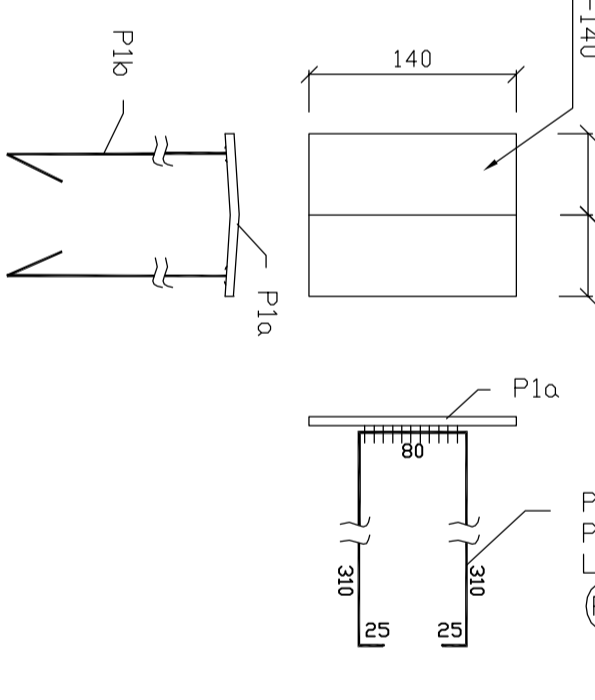
ARMARE STALP PREFABRICAT - "SP 440"
PREFAB POLE REINFORCEMENT - "SP 440"
 SCARA 1/20
 Scale 1:20



COFRAU STALP PREFABRICAT - "SP 440"
PREFAB POLE SHUTTERING - "SP 440"
 SCARA 1/20
 Scale 1:20



EXIKAS DE ARMATURA
TABLE REINFORCEMENT
 Prefab pole SP440



Element	Marca	Diametru (mm)	Lungime (m)	Buc.	PC52
1		10	4.45	12	Ø8
2		8	0.70	60	Ø12
3		8	0.80	21	Ø12
4		8	1.00	8	Ø12
Lungimea totala / diam et J (m)					60.80
Masazim etru lincat (kg)					3.888
Crestutis/mi					28.39
TOTAL (kg)					73.80

Laminata de beton
TABLE OF LAMINATED PARTS
 Prefab pole SP440

Pozitie	Sectionea (mm)	Buc. (mm)	Lungime (mm)	Greutate (kg)
P1a	110x6	1	140	5.181
P1b	Ø8 PC 52	2	750	0.395
TOTAL LAMINATE (kg)				1.32
Electrozi Gama, Sudura 3.5%				0.05
TOTAL ROTUND (kg)				2.00

TABEL CARACTERISTICI

Element	Marca	Volunt beton	Clasa	Dial	Laminata	Cofraj	Ceavata
Tip	beton	(m ³)	SPPB	OB37	FC32	metalic	(kg)
S=24.7		0.260			73.8	7.00	3.6
							7.75

Index	Data	Modificari/revision	Proiectant	Approbat Consultant	Approbat CFR
A					
B					
C					
D					

GUVERNUL ROMANIEI
 ROMANIAN GOVERNMENT

PROIECT FINANȚAT DE UNIUNEA EUROPEANĂ
 EUROPEAN UNION FINANCED PROJECT

CLIENT / CLIENT

C.N.C.F. "C.F.R." - S.A.

CONSULTANT / CONSULTANT

OBERMEYER PLANEN + BERATEN GmbH
 Consulting Engineers

Approbat	Responsabil	Data	Signature
Approbat	Sef proiect	12. 2011	
Approbat	Project manager	12. 2011	
Approbat	Coordinator Section 1	12. 2011	
Verificat	Section 1 Coordinator	12. 2011	
Verificat	Verifier	12. 2011	

SUBCONTRACTANT / SUBCONTRACTOR

Approbat	Responsabil	Data	Signature
Approbat	Subcontractant Responsible	12. 2011	
Elaborat	Designer	12. 2011	

Reabilitarea liniei de cale ferata Braşov - Simeria, parte componentă a coridorului IV Pan European, pentru circulația trenurilor cu viteză maximă de 160 km/h,
Tronsonul : Braşov - Sighişoara
 Rehabilitation of the railway line Braşov - Simeria, component Part of the IV Pan-European Corridor, for the trains circulation with maximum speed of 160 km/h,
Section : Braşov - Sighişoara

Proiect/Project
 Faza / Phase:
 D.E. / E.D.

Denumire desen / Drawing Title :
GARD FONOAORSORBANT - Stalp prefabricat SP440
SOUNDABSORBING FENCE - Prefabricated column SP440

Codificare / Codification System

E	A	S	1	0	1	E	0	0	B	C	P	M	0	0	0	0	1	0	0	5	0
---	---	---	---	---	---	---	---	---	---	---	---	---	---	---	---	---	---	---	---	---	---

Scara / Scale 1:20
 LOT / LOT
 Nr. / No 01 / 01