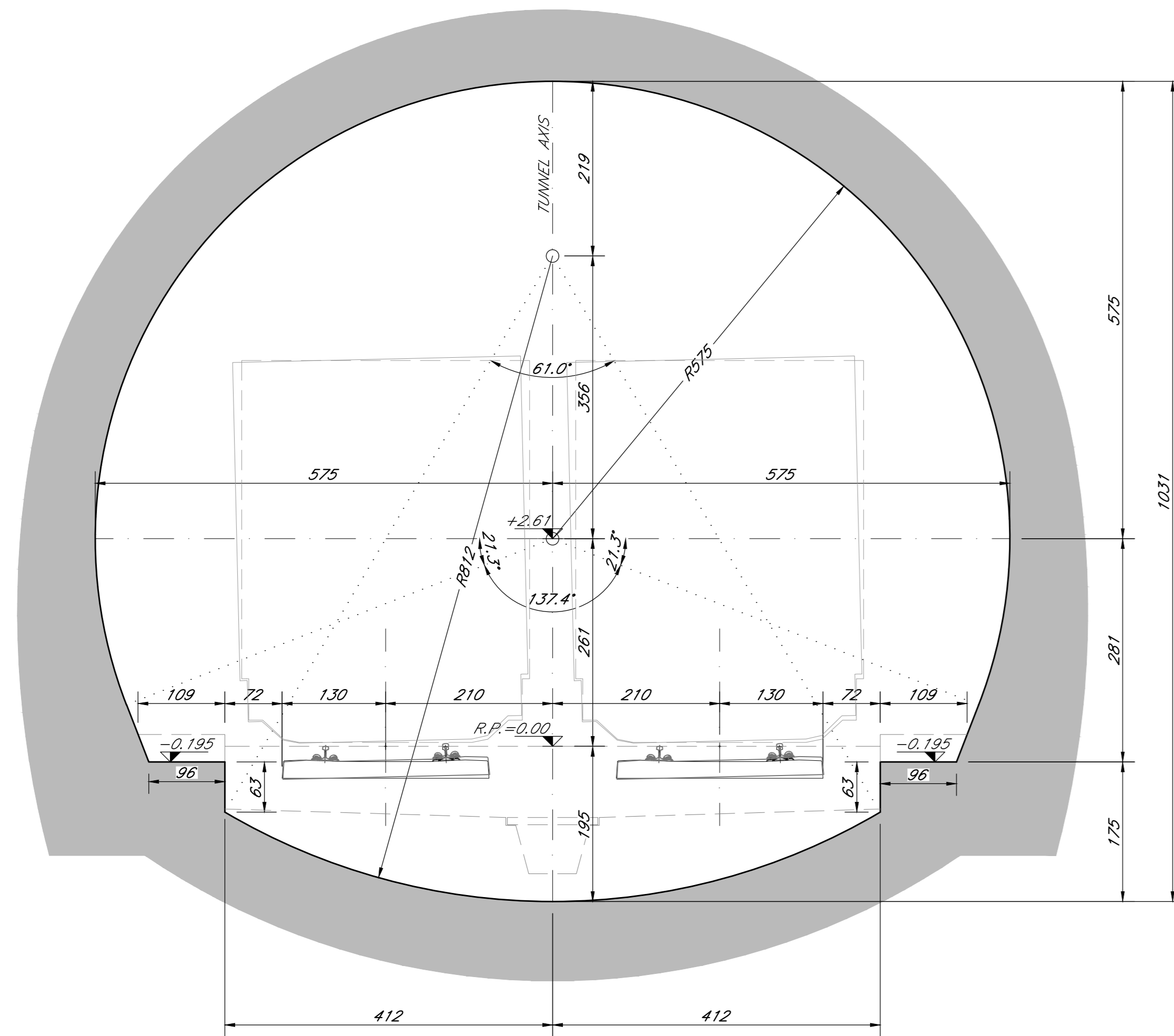
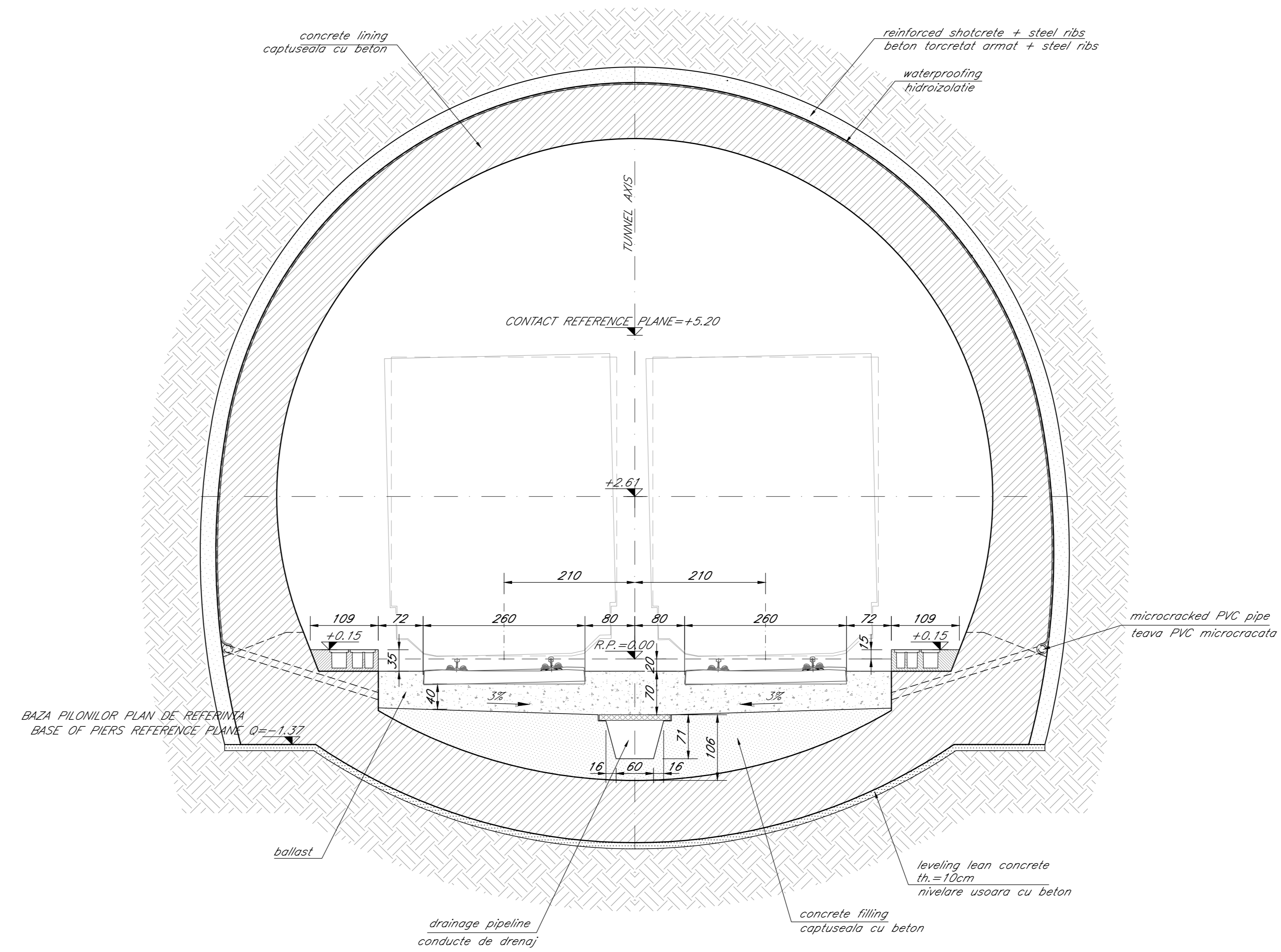


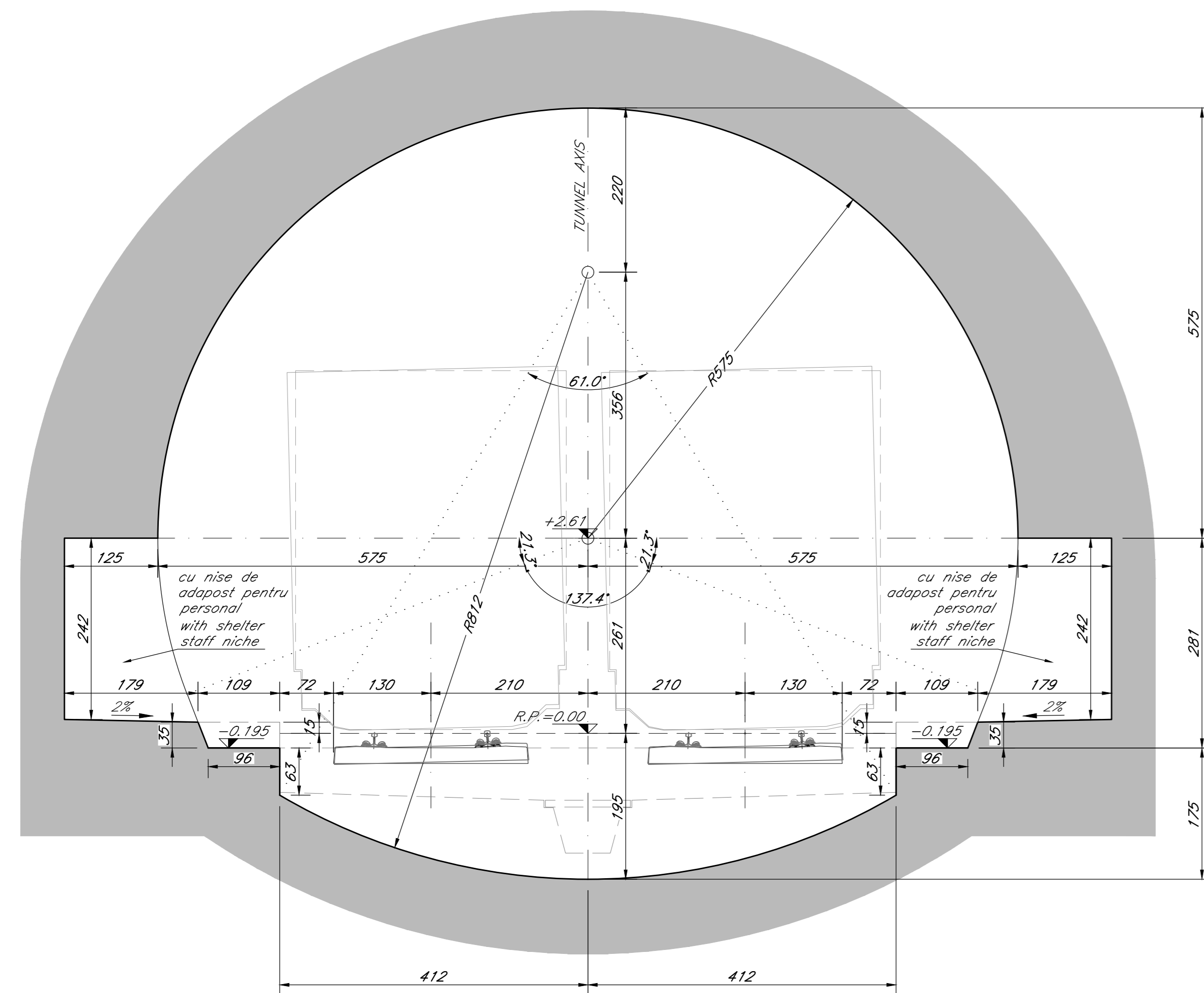
INTERNAL DIMENSION OF THE TUNNEL scale 1:50
DIMENSIUNILE INTERNE ALE TUNELULUI scara 1:50



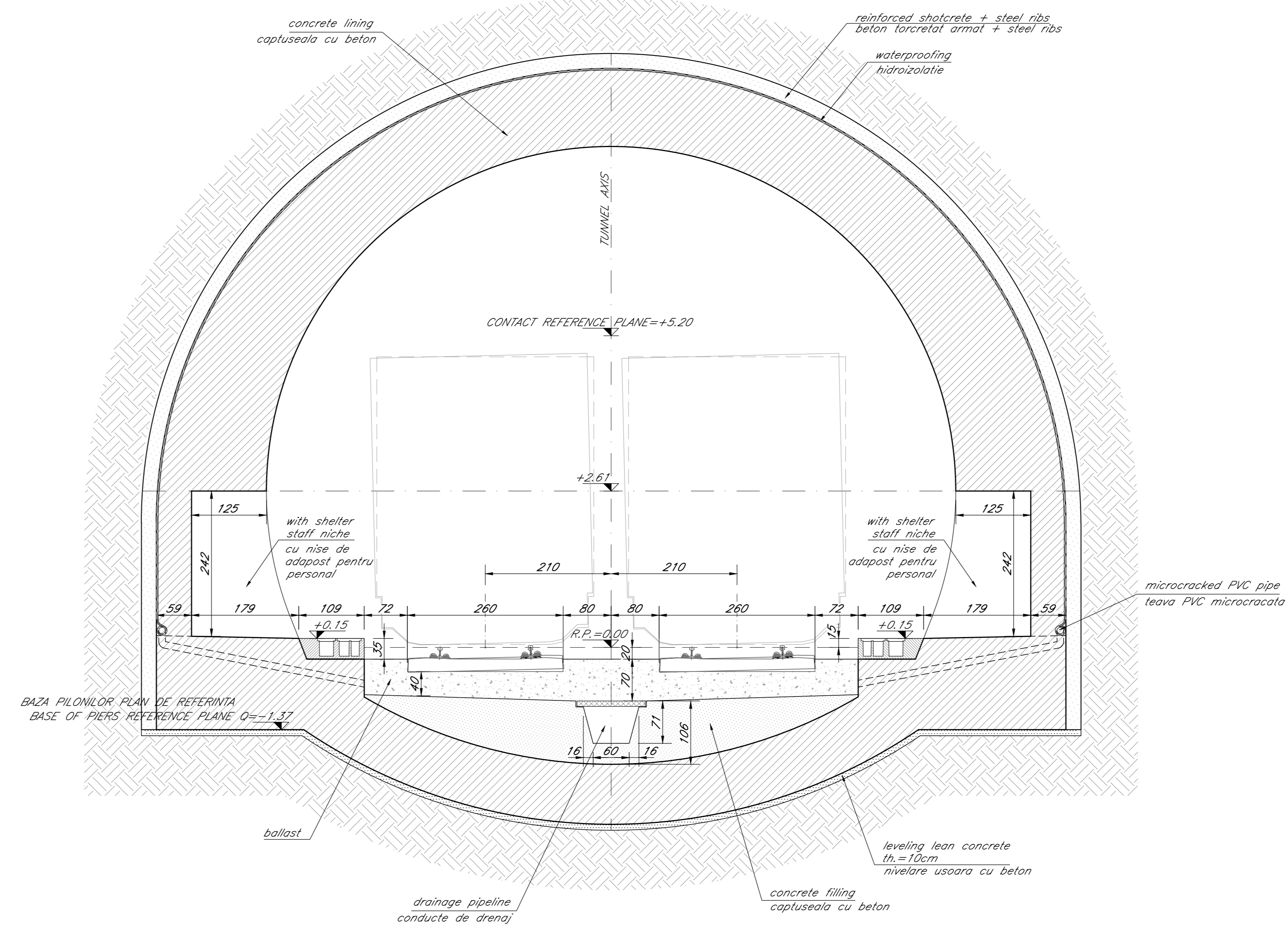
APPLIED TYPICAL CROSS SECTION scale 1:50
SECTIUNILE SPECIFICE TRANSVERSALE APLICATE scale 1:50



INTERNAL DIMENSION OF THE TUNNEL scale 1:50
DIMENSIUNILE INTERNE ALE TUNELULUI scale 1:50
- WITH SHELTER STAFF NICHE -
- CU NISE DE ADAPOST PENTRU PERSONAL -



APPLIED TYPICAL CROSS SECTION scale 1:50
SECTIUNILE SPECIFICE TRANSVERSALE APLICATE scale 1:50
- WITH SHELTER STAFF NICHE -
- CU NISE DE ADAPOST PENTRU PERSONAL -



CLIENT / CLIENT C.N.C.F. "C.F.R." - S.A.																																												
CONSULTANT / CONSULTANT																																												
<table border="1"> <thead> <tr> <th>Faza</th> <th>Postia</th> <th>Nume</th> <th>Data</th> <th>Semnatura</th> </tr> </thead> <tbody> <tr> <td>Approved</td> <td>Manager de Proiect</td> <td>Sergio MENCHINI</td> <td>06.2020</td> <td></td> </tr> <tr> <td>Verified</td> <td>Expert Chief</td> <td>Lorenzo SABINI</td> <td>06.2020</td> <td></td> </tr> <tr> <td>Checked</td> <td>Key Expert</td> <td></td> <td></td> <td></td> </tr> <tr> <td>Elaborated</td> <td>Project Designer</td> <td>Giovanni VOIRO</td> <td>06.2020</td> <td></td> </tr> </tbody> </table>	Faza	Postia	Nume	Data	Semnatura	Approved	Manager de Proiect	Sergio MENCHINI	06.2020		Verified	Expert Chief	Lorenzo SABINI	06.2020		Checked	Key Expert				Elaborated	Project Designer	Giovanni VOIRO	06.2020		<table border="1"> <thead> <tr> <th>Subconsultant</th> <th>Responsabil</th> <th>Posta</th> <th>Nume</th> <th>Data</th> <th>Semnatura</th> </tr> </thead> <tbody> <tr> <td>Approved</td> <td>Subconsultant Responsible</td> <td></td> <td></td> <td></td> <td></td> </tr> <tr> <td>Elaborated</td> <td>Project Designer</td> <td></td> <td></td> <td></td> <td></td> </tr> </tbody> </table>	Subconsultant	Responsabil	Posta	Nume	Data	Semnatura	Approved	Subconsultant Responsible					Elaborated	Project Designer				
Faza	Postia	Nume	Data	Semnatura																																								
Approved	Manager de Proiect	Sergio MENCHINI	06.2020																																									
Verified	Expert Chief	Lorenzo SABINI	06.2020																																									
Checked	Key Expert																																											
Elaborated	Project Designer	Giovanni VOIRO	06.2020																																									
Subconsultant	Responsabil	Posta	Nume	Data	Semnatura																																							
Approved	Subconsultant Responsible																																											
Elaborated	Project Designer																																											
Subconsultant / SUBCONSULTANT																																												
Studiu de Fezabilitate pentru Reabilitarea Liniei Feroviare Craiova - Drobeta Turnu Severin - Caransebes, parte a Coridorului Orient-Est Mediteranean - Feasibility Study For The Rehabilitation Of The Railway Line Craiova - Caransebes																																												
Proiect/Project: 74 / 2018 Faza/Phase: S.F.																																												
Denumire / Title: Sectiuni Transversale tip - Tunel Poarta I,II,III Typical Cross Section - Poarta I,II,III Tunnels																																												
Codificare / Codification System E 2 1 S 0 S F 0 0 W B T U 0 0 0 0 1 A																																												
Istoricul revizilor / Revision History																																												
<table border="1"> <thead> <tr> <th>Rev.</th> <th>Data/Date</th> <th>Descriere Modificare / Modification description</th> </tr> </thead> <tbody> <tr> <td>1</td> <td></td> <td></td> </tr> <tr> <td>2</td> <td></td> <td></td> </tr> <tr> <td>3</td> <td></td> <td></td> </tr> <tr> <td>4</td> <td></td> <td></td> </tr> </tbody> </table>	Rev.	Data/Date	Descriere Modificare / Modification description	1			2			3			4																															
Rev.	Data/Date	Descriere Modificare / Modification description																																										
1																																												
2																																												
3																																												
4																																												
Responsabilitatea privind această publicatie revine integral autorului. Uniunea Europeană nu este responsabilă pentru modul în care sunt utilizate informațiile publicate. The contents of this publication are the sole responsibility of (name of the implementing partner) and do not necessarily reflect the opinion of the European Union.																																												