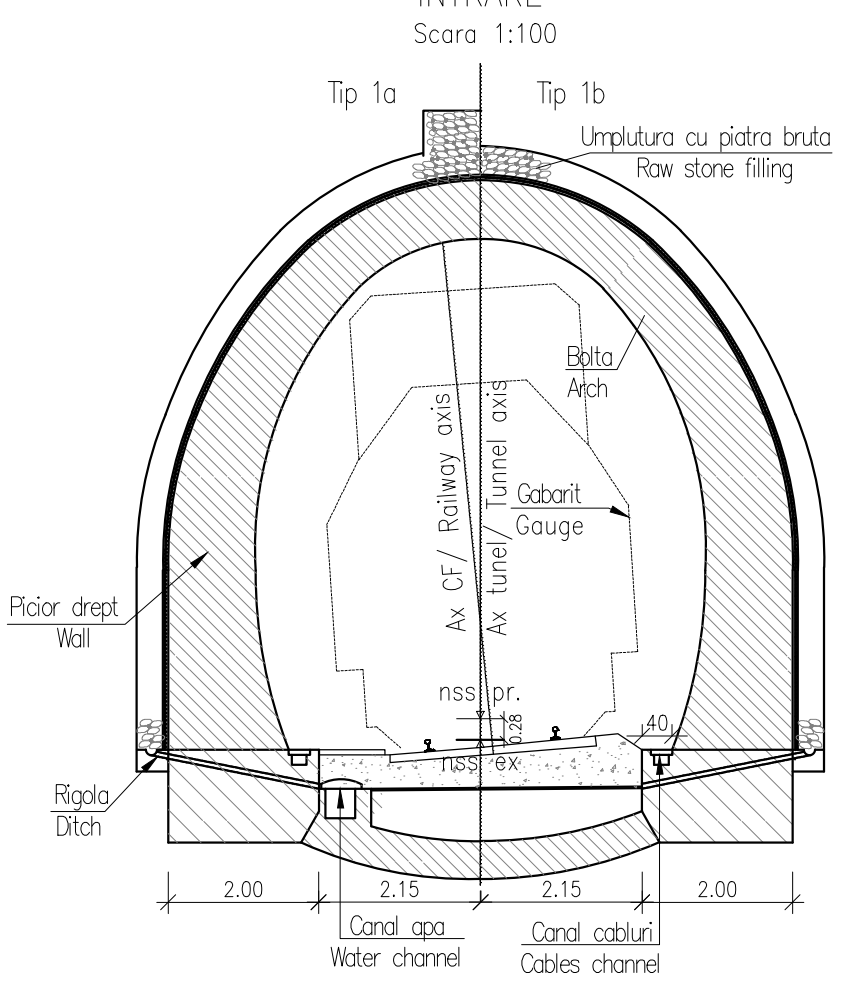
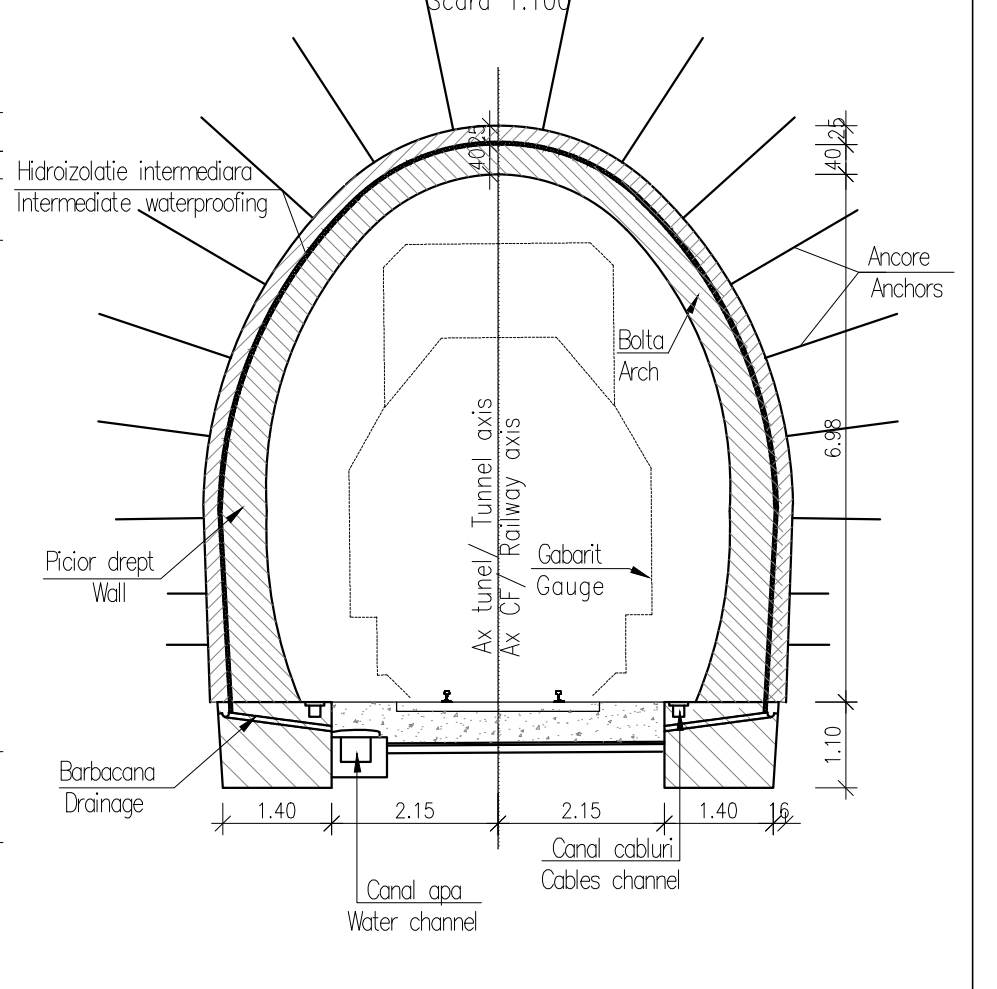


← CRAIOVA
NOU IABLANITA TUNNEL – TRACK 1 DESIGN PROFILE *scale 1:2000/200*
CARANSEBES →
TUNEL NOU IABLANITA – FIR 1 PROFILUL PROIECTAT *scale 1:2000/200*

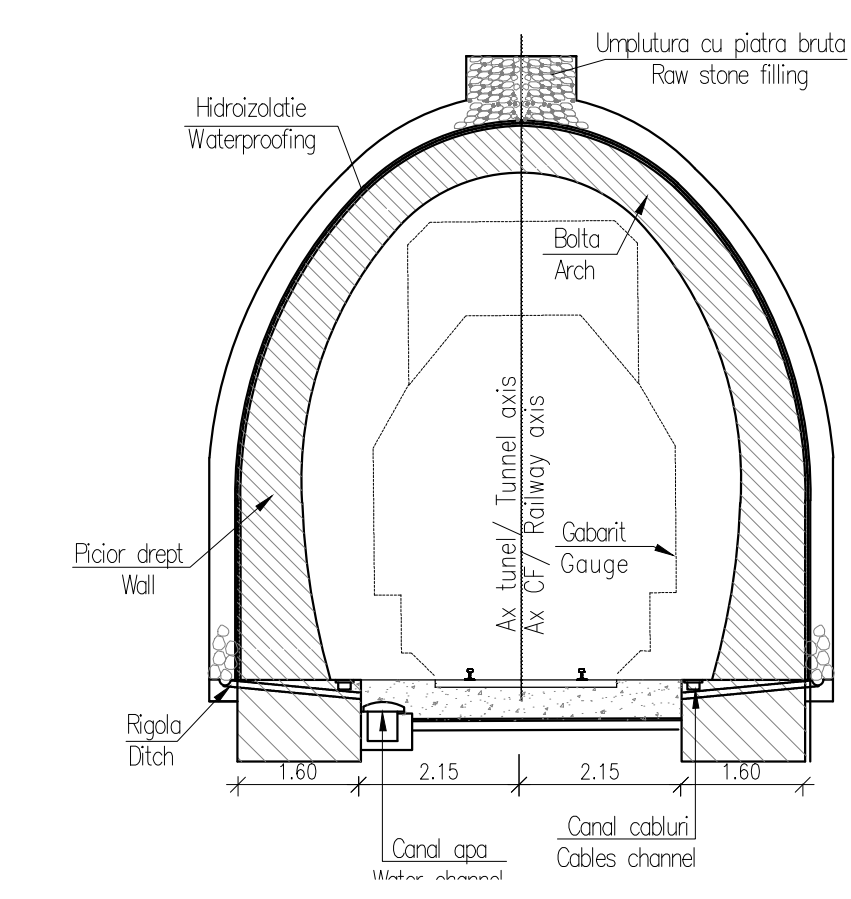
SECTIUNE TRANSVERSALA TIP 1
TYPE 1 CROSS SECTION
INTRARE
Scara 1:100



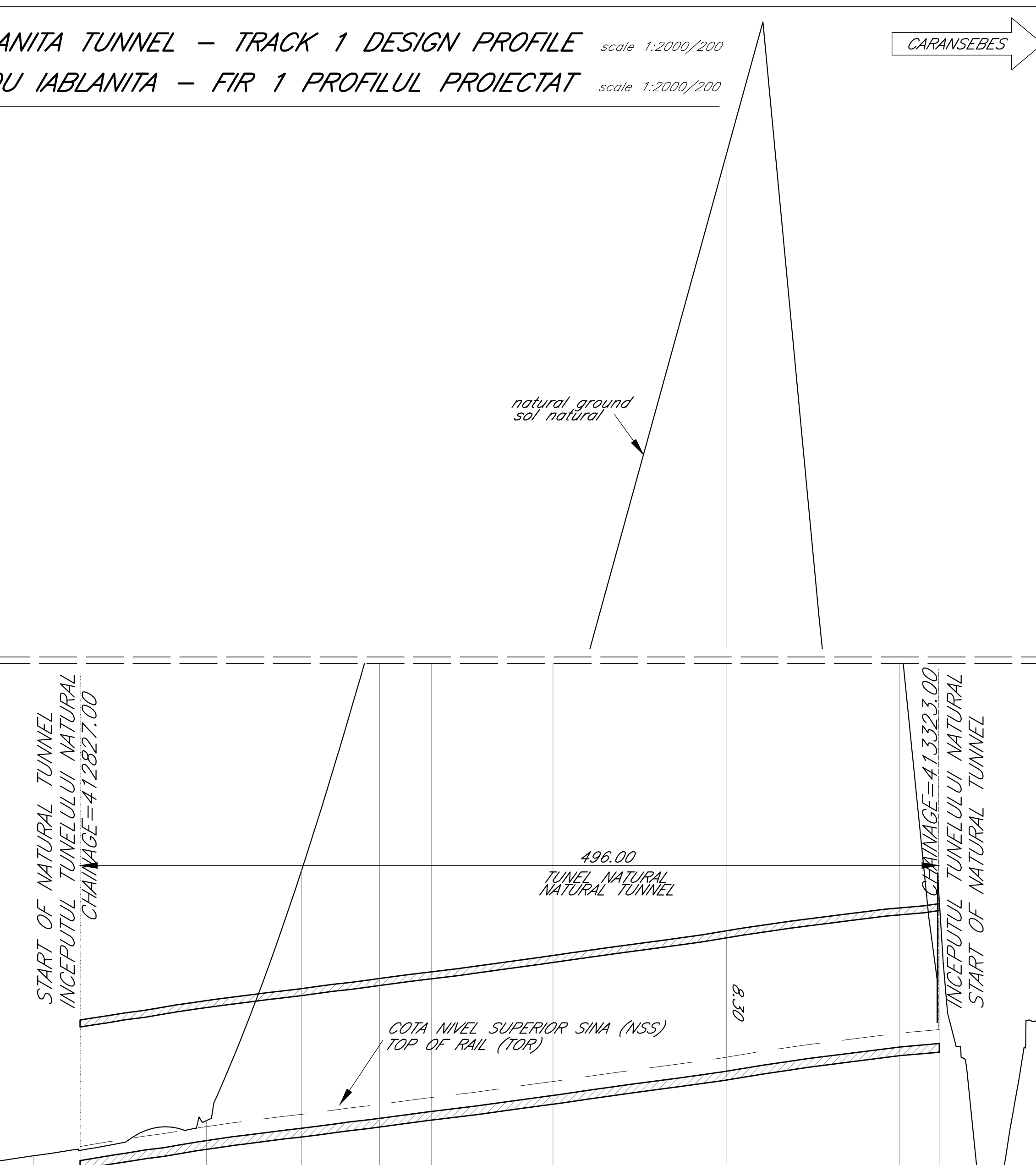
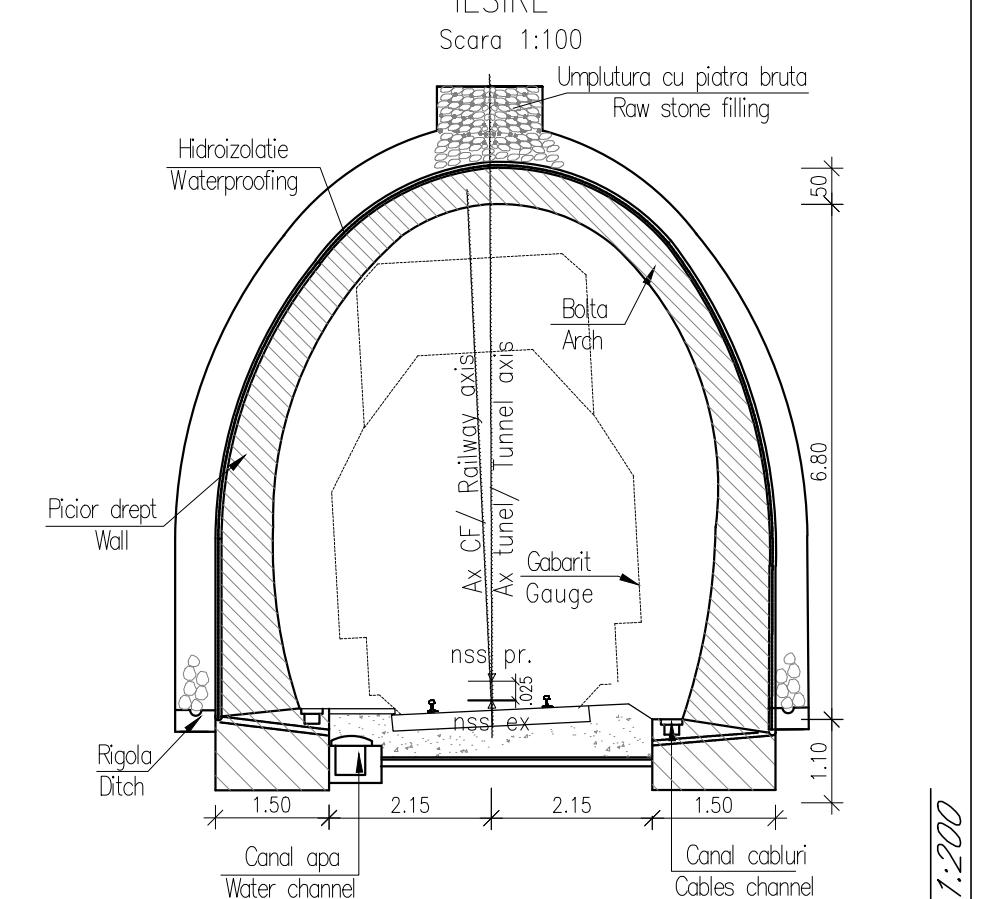
SECTIUNE TRANSVERSALA TIP 2
TYPE 2 CROSS SECTION
Scara 1:100



SECTIUNE TRANSVERSALA TIP 3
TYPE 3 CROSS SECTION
Scara 1:100



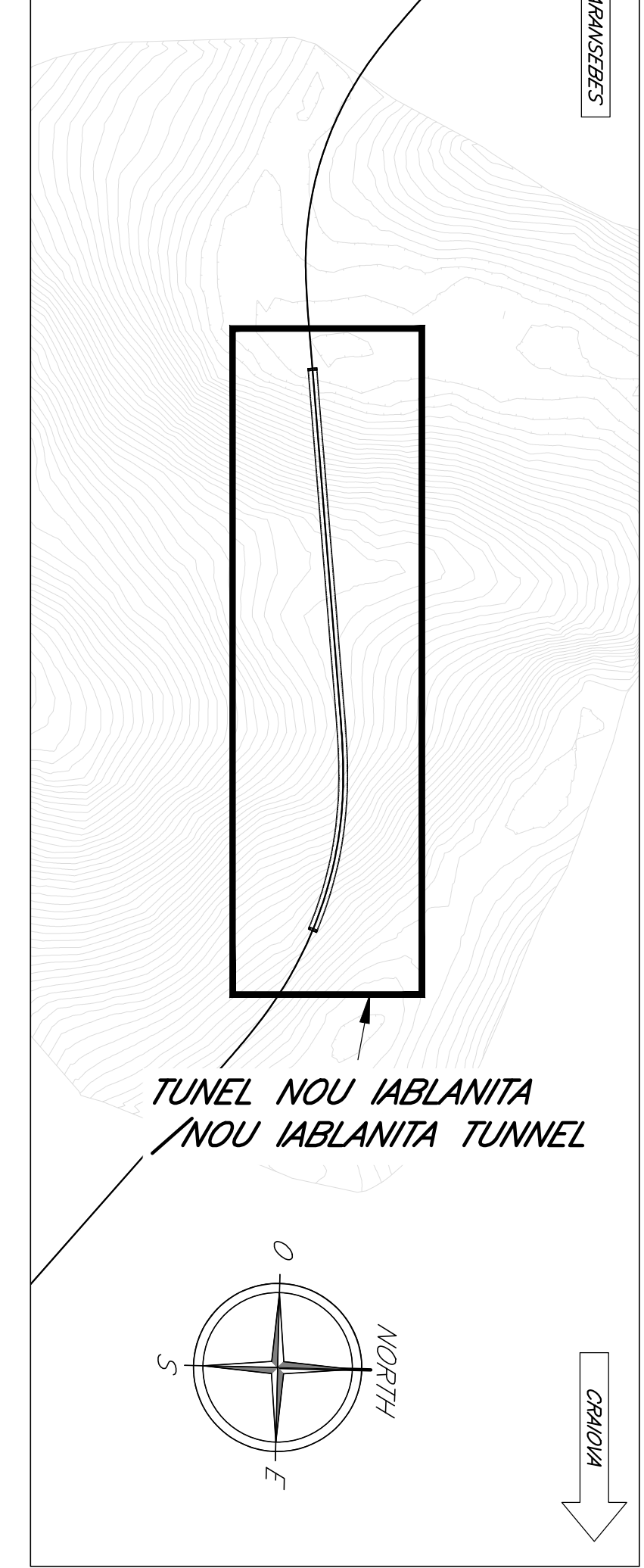
SECTIUNE TRANSVERSALA TIP 4
TYPE 4 CROSS SECTION
IESIRE
Scara 1:100



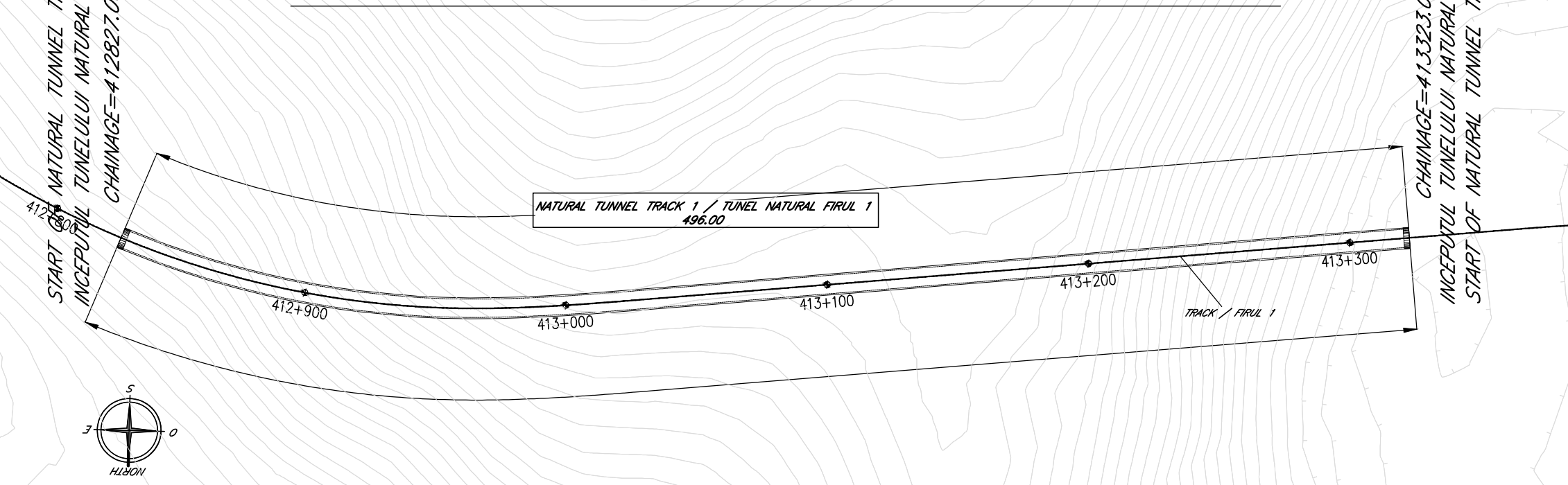
REF. LEVEL = 198.00m
COTA DE REF. = 198.00m



DESIGN LEVEL COTE PROIECTATE		202.40	203.67	204.42	205.03	205.43	206.38	207.74	209.10	209.12	
GROUND LEVEL COTE TERENULUI		201.87	203.90	218.35	233.38	244.14	269.55	305.81	232.53	216.73	200.70
HECTOMETERS – HECTOMETRI		4128	4129		4130		4131	4132	4133		
PARTIAL DIST. – DIST. PARTIALA		100.00	100.00	100.00	100.00	100.00	100.00	100.00	100.00	100.00	
CHAINAGE KM PROGRESIV		412800.00	412900.00	413000.00	413100.00	413200.00	413300.00	413323.00	413300.00	413323.00	


KEY MAP






NOU IABLANITA TUNNEL – TRACK 1 DESIGN PROFILE *scale 1:2000/200*
TUNEL NOU IABLANITA – FIR 1 PROFILUL PROIECTAT *scale 1:2000/200*





CLIENT / CLIENT C.N.C.F. "C.F.R." - S.A.

CONSULTANT / CONSULTANT				
Faza Phase	Positie Position	Nume Name	Data Date	Semnatura Signature
Aprobat Approved	Manager de Proiect Project Manager	Sergio MENICHINI	10.2020	
Verificat Checked	Expert Cheie Key Expert	Lorenzo SABINI	10.2020	
Intocmit Elaborated	Proiectant Designer	Rosario RUSSO	10.2020	

SUBCONSULTANT / SUBCONSULTANT				
Aprobat Approved	Responsabil Subconsultant Subconsultant Responsible			
Intocmit Elaborated	Proiectant Designer			

Studiu de Fezabilitate pentru Reabilitarea liniei feroviare Craiova - Drobeta Turnu Severin - Caransebes, parte a Coridorului Orient Est-Mediterranean - Feasibility Study For The Rehabilitation Of The Railway Line Craiova - Caransebes

Project/Project: 74 / 2018
 Faza/Phase: S.F.

Denumire / Title :
 Tunel Nou Iablanita - Planul si Profilul General - Linia I
 Nou Iablanita Tunnel - Generale Plan and Profile - Track I

Codificare / Codification System
 E 2 1 8 I S F 4 7 K Z T U 0 0 0 0 0 1 B

Istoricul revizilor / Revision History	
Rev.	Data/Date
1	
2	
3	
4	

Responsabilitatea privind această publicație revine integral autorului. Uniunea Europeană nu este responsabilă pentru modul în care sunt utilizate informațiile publicate.
 The contents of this publication are the sole responsibility of (name of the implementing partner) and do not necessarily reflect the opinion of the European Union.