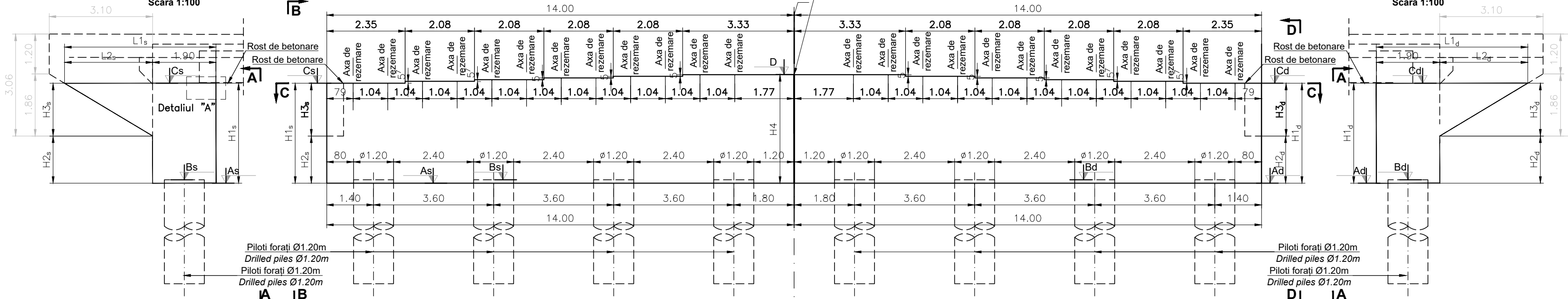


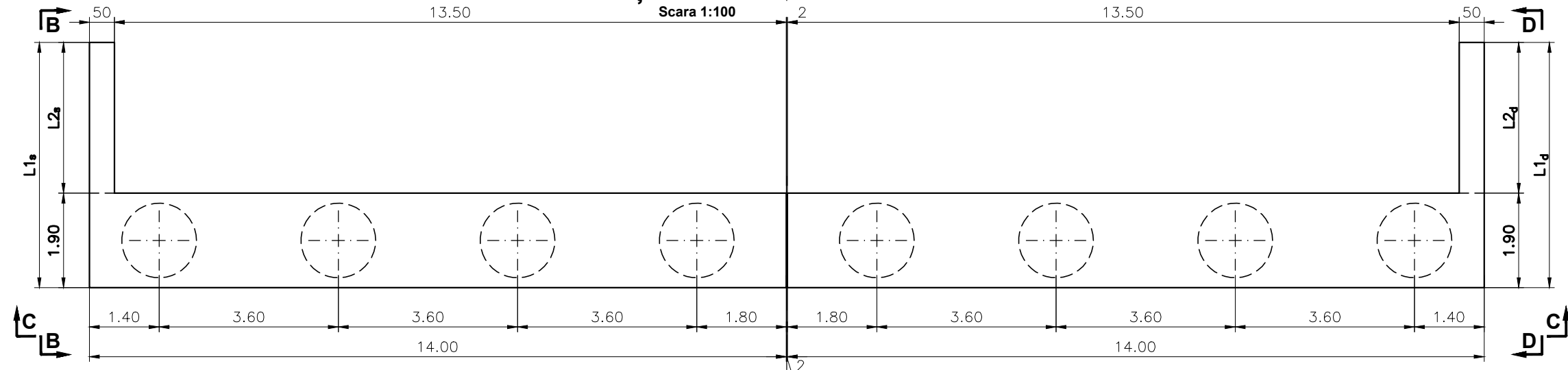
Vedere laterală B - B
Scara 1:100

Vedere din față A - A
Scara 1:100

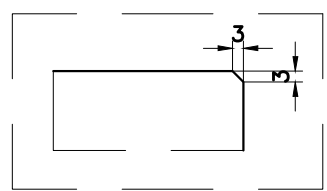
Vedere laterală D - D
Scara 1:100



Secțiune C - C
Scara 1:100



Detaliul "A"
Scara 1:20



Materiale						
Beton						
Element	Clasa de rezistență	Clasa de expunere	Raport A/C	Clasa de cloruri	Dozaj ciment [kg]	D _{max} [mm]
Beton egalizare	C12/15	X0	-	1.00	-	32
Piloți forati	C25/30	XC2	0.55	0.20	375	22.4
Radiere	C25/30	XC2; XF2	0.55	0.20	300	32
Elevatii	C30/37	XC4; XF4; XD1	0.45	0.20	340	32

Culee	Inalțimi							Lungimi				Cote de nivel							
												Fir stanga				Fir dreapta			
	H _{1s}	H _{2s}	H _{3s}	H ₄	H _{3d}	H _{2d}	H _{1d}	L1s	L2s	L1d	L2d	As	Bs	Cs	D	Ad	Bd	Cd	D
Culee 1	4.00	2.23	1.77	4.26	1.77	2.23	4.00	4.85	2.95	4.85	2.95	90.10	90.20	94.10	94.36	90.10	90.20	94.10	94.36
Culee 2	4.00	2.26	1.74	4.26	1.74	2.26	4.00	4.80	2.90	4.80	2.90	90.16	90.26	94.16	94.42	90.16	90.26	94.16	94.42

PROIECTANT / DESIGNER: S.C. CONSITRANS S.R.L.		BENEFICIAR / BENEFICIARY: MUNICIPIUL ARAD, MUNICIPIUL ORADEA, CONSILIUL JUDETEAN ARAD, CONSILIUL JUDETEAN BIHOR, CNAIR		FUNCTIA / POSITION:	NUME / NAME:	SEMNATURA / SIGNATURE:	Titlu plansa / Drawing title: Plan cofraj culee Abutment formwork plan Pod pe DX la km 69+870 peste Canal Bridge on DX at km 69+870 over water channel	REV/ REV.: R00	DATA/ DATE: 11.2023	DETALII REVIZIE / REVISION DETAILS: PTE	PROIECTAT / DESIGNER: Consitrans
		INVESTITIA / INVESTMENT: ACTUALIZARE/COMPLETARE/REVIZUIRE (S.F. + P.A.C. + P.O.E + P.T.E.) "DRUM EXPRES ARAD ORADEA" ACTUALIZATION/COMPLETION (S.F. + P.A.C. + P.O.E + P.T.E.) "EXPRESS ROAD ARAD ORADEA"		COORDONATOR DE PROIECT / PROJECT MANAGER: ing. S. VEACESLAV	SEMNATURA / SIGNATURE:	REVIZOR / REVISION:		DATA / DATE:	DETALII REVIZIE / REVISION DETAILS:	PROIECTAT / DESIGNER:	
		FAZA PROIECTARE / DESIGN STAGE: PROIECT TEHNIC DE EXECUTIE / EXECUTION TECHNICAL PROJECT		SEF PROIECT SPECIALITATE / TEAM LEADER: ing. D. COVELTIR	SEMNATURA / SIGNATURE:	LUCRARI DE POD / BRIDGE WORKS Cod plansa / Drawing code: CST-0121-PTE-0-DX-02-P39-CPC-01-R00	REVIZOR / REVISION:	DATA / DATE:	DETALII REVIZIE / REVISION DETAILS:	PROIECTAT / DESIGNER:	
UNIUNEA EUROPEANA PROIECT CO-FINANȚAT DIN FONDUL DE COEZIUNE, PRIN PROGRAMUL OPERAȚIONAL INFRASTRUCTURĂ MARE / PROJECT CO-FINANANCED FROM THE COHESION FUND, THROUGH THE LARGE INFRASTRUCTURE OPERATIONAL PROGRAM		Contract /Contract: 14724/01.07.2021 Data / Date: 11.2023 Scara /Scale: 1:20 / 1:100		PROIECTAT / DESIGNER: ing. V. URDAREANU	SEMNATURA / SIGNATURE:		REVIZOR / REVISION:	DATA / DATE:	DETALII REVIZIE / REVISION DETAILS:	PROIECTAT / DESIGNER:	
				VERIFICAT / INTERNAL CHECKER: ing. D. COVELTIR	SEMNATURA / SIGNATURE:	REVIZOR / REVISION:	DATA / DATE:	DETALII REVIZIE / REVISION DETAILS:	PROIECTAT / DESIGNER:		