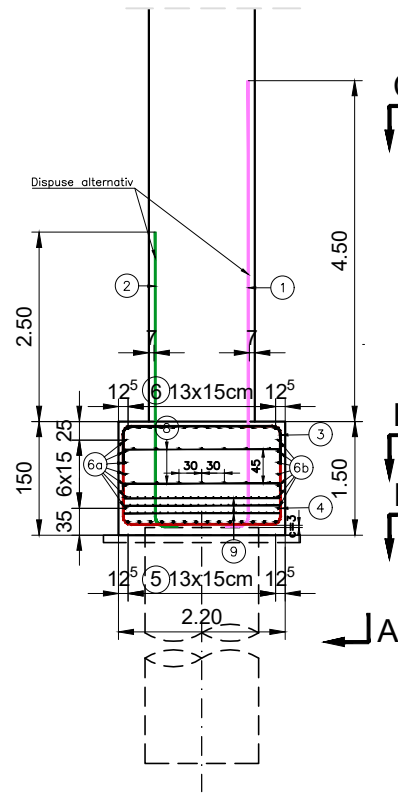
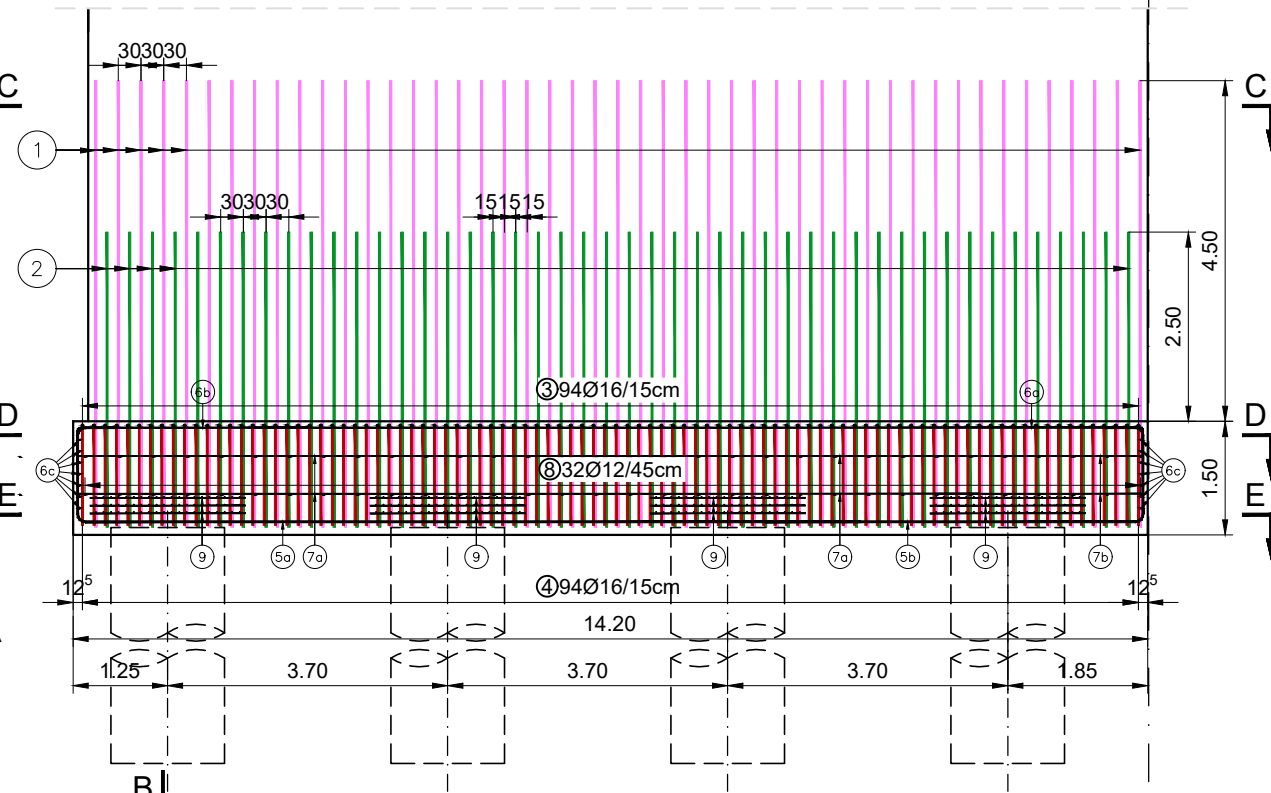


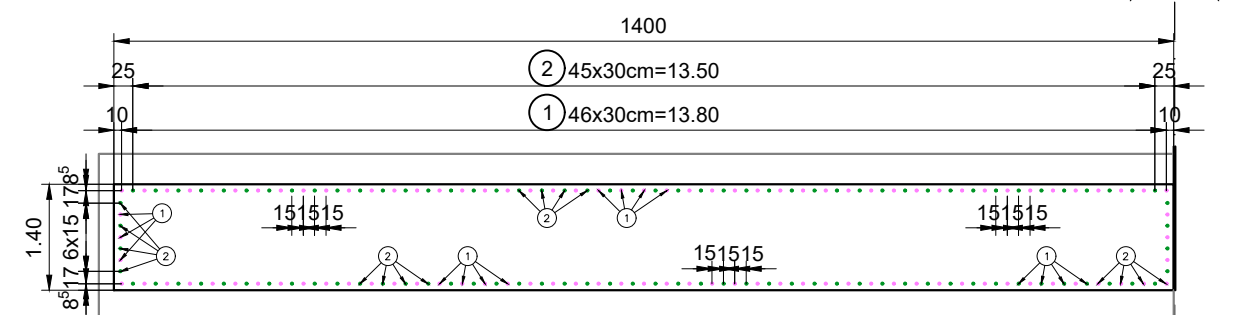
SECTIUNE B-B
Scara 1:100



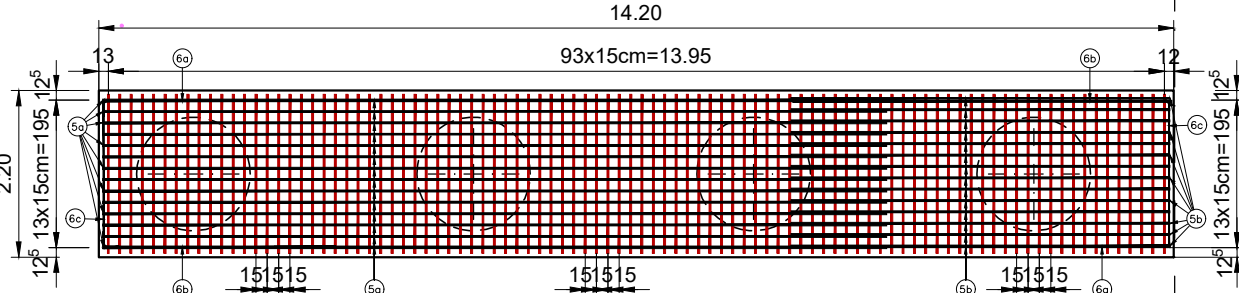
VEDERE A-A
Scara 1:100



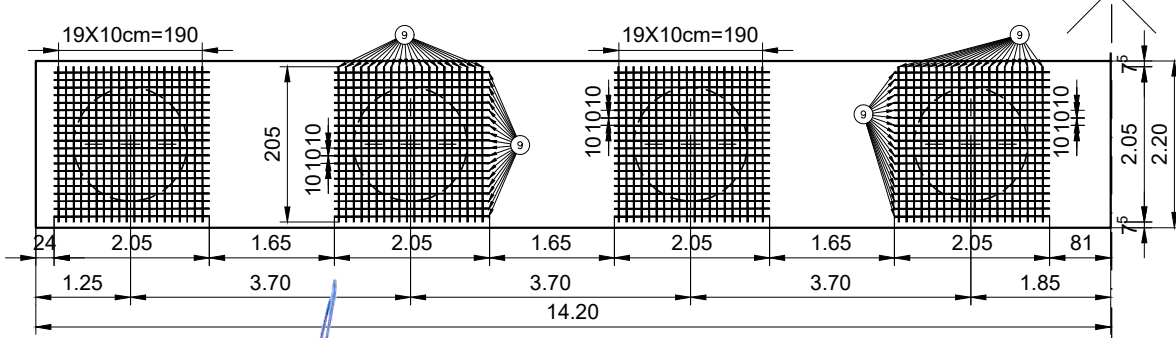
SECTIUNE C-C
Scara 1:100



SECTIUNE D-D
Scara 1:100



SECTIUNE E-E
Scara 1:100



- ③ B500C 94Ø25/15cm L=3.00
- ④ B500C 94Ø25/15cm L=5.50
- ⑥c B500C 2x7Ø16 L=2.30
- ⑧ B500C 64Ø12/45cm L=2.25
- ⑨ B500C Ø12/10cm L=42.40
- ① B500C Ø28/15cm L=6.15
- ② B500C Ø28/15cm L=4.15
- ⑥b B500C 28Ø16/15cm L=3.25
- ⑥a B500C 28Ø16/15cm L=12.00
- ⑤a B500C 14Ø25/15cm L=12.00
- ⑤b B500C 14Ø25/15cm L=6.65
- ⑦a B500C 14Ø12/30cm L=12.00
- ⑦b B500C 14Ø12/30cm L=2.85

NOTE:
Concrete C35/45 - XC4; XF4; XD3
Steel: B500-Ductility class C
Minimum reinforcement cover: 5 cm
Reinforcement length is calculated in axis bar.

NOTA:
Beton C35/45 - XC4; XF4; XD3
Otel: B500-Casa de ductilitate C
Stratul de acoperire minim cu beton: 5 cm
Cotarea armaturilor este realizata in axul barelor.



Marca	Ø (mm)	n (buc.)	L (m)	n x L - B500C			
				Ø12	Ø16	Ø25	Ø28
1	28	100	6.15				615.00
2	28	100	4.15				415.00
3	25	94	3.00			282.00	
4	25	94	5.50			517.00	
5a	25	14	12.00			168.00	
5b	25	14	6.65			93.10	
6a	16	28	12.00	336.00			
6b	16	28	3.25	91.00			
6c	16	14	2.30		32.20		
7a	12	14	12.00	168.00			
7b	12	14	2.85	39.90			
8	12	64	2.25	144.00			
9	12	24	41.40	993.60			
TOTAL LUNGIMI PE DIAMETRU (m)				1345.50	459.20	1060.10	1030.00
GREUTATE PE METRU (kg/m)				0.888	1.578	3.853	4.834
GREUTATE PE DIAMETRU (kg)				1194.55	724.77	4084.95	4978.66
GREUTATE TOTALA (kg) pt 1 cale							10983.00
TOTAL pt. 2 BUCA TI (kg)							21966.00

PROIECTANT / DESIGNER: S.C. CONSITRANS S.R.L.	BENEFICIAR / BENEFICIARY: MUNICIPIUL ARAD, MUNICIPIUL ORADEA, CONSILIUL JUDETEAN ARAD, CONSILIUL JUDETEAN BIHOR CNAIR	FUNCTIA / POSITION: COORDONATOR DE PROIECT / PROJECT MANAGER ing. S. VEACESLAV	NUME / NAME: ing. S. VEACESLAV	SEMNTURA / SIGNATURE: 	Titlu plansa / Drawing title: Plan armare radier culee Abutment reinforcement plan	REV. / REV.: R00	DATA / DATE: 11.2023	DETALII REVIZIE / REVISION DETAILS: PTE	PROIECTAT / DESIGNER: Consitrans
						INVESTITIA / INVESTMENT: ACTUALIZARE/COMPLETARE/REVIZUIRE (S.F. + P.A.C. + P.O.E + P.T.E.) "DRUM EXPRES ARAD ORADEA" ACTUALIZATION/COMPLETION (S.F. + P.A.C. + P.O.E + P.T.E.) "EXPRESS ROAD ARAD ORADEA"	SEF PROIECT SPECIALITATE / TEAM LEADER: ing. D. COVELTIR	FAZA PROIECTARE / DESIGN STAGE: PROIECT TEHNIC DE EXECUTIE / EXECUTION TECHNICAL PROJECT	PROIECTAT / DESIGNER: ing. V. URDAREANU
Contract / Contract: 14724/01.07.2021 Project / Project no.: 001/2021	Data / Date: 11.2023	Scara / Scale: 1:200	VERIFICAT / INTERNAL CHECKER: ing. D. COVELTIR						

