

### Vedere din față A - A

Scara 1:100

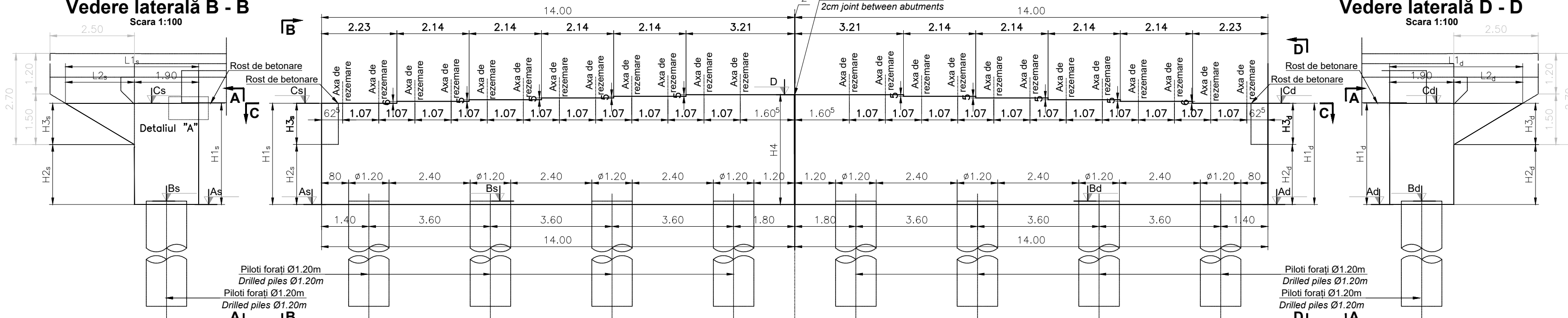
Rost de 2cm între banchete/  
2cm joint between abutments

### Vedere laterală B - B

Scara 1:100

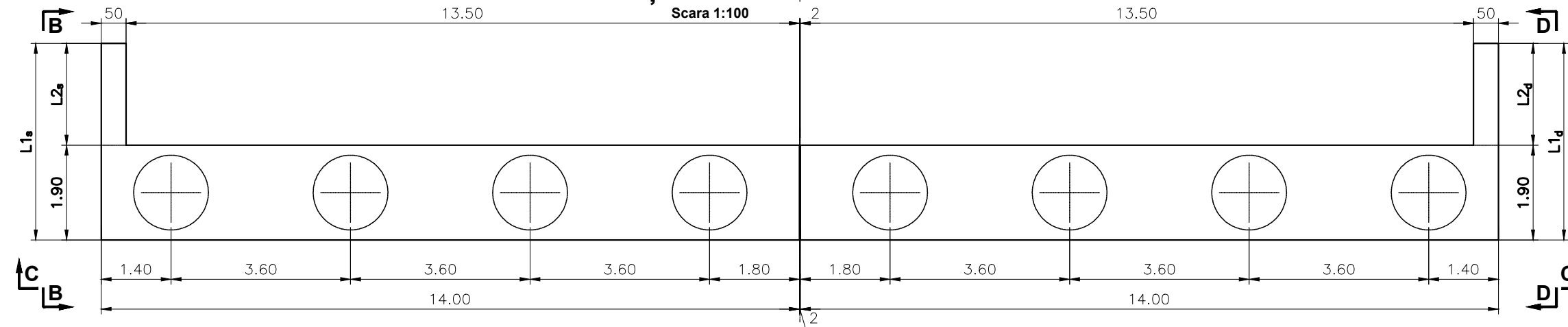
### Vedere laterală D - D

Scara 1:100



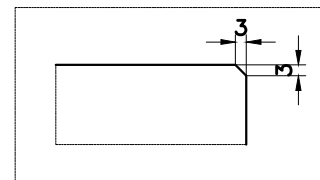
### Secțiune C - C

Scara 1:100



### Detaliul "A"

Scara 1:20



Materiale						
Beton						
Element	Clasa de rezistență	Clasa de expunere	Raport A/C	Clasa de cloruri	Dozaj ciment [kg]	D <sub>max</sub> [mm]
Beton egalizare	C12/15	X0	-	1.00	-	32
Piloți forati	C25/30	XC2	0.55	0.20	375	22.4
Radiere	C25/30	XC2; XF2	0.55	0.20	300	32
Elevatii	C30/37	XC4; XF4; XD1	0.45	0.20	340	32

Culee	Înălțimi							Lungimi				Cote de nivel							
												Fir stanga				Fir dreapta			
	H <sub>1s</sub>	H <sub>2s</sub>	H <sub>3s</sub>	H <sub>4</sub>	H <sub>3d</sub>	H <sub>2d</sub>	H <sub>1d</sub>	L <sub>1s</sub>	L <sub>2s</sub>	L <sub>1d</sub>	L <sub>2d</sub>	As	Bs	Cs	D	Ad	Bd	Cd	D
Culee 1	3.00	1.74	1.26	3.26	1.26	1.74	3.00	4.00	2.10	4.00	2.10	92.81	92.91	95.81	96.07	92.81	92.91	95.81	96.07
Culee 2	3.00	1.79	1.21	3.26	1.21	1.79	3.00	3.92	2.02	3.92	2.02	92.80	92.90	95.80	96.06	92.80	92.90	95.80	96.06

<b>PROIECTANT / DESIGNER:</b> S.C. CONSITRANS S.R.L.		<b>BENEFICIAR / BENEFICIARY:</b> MUNICIPIUL ARAD, MUNICIPIUL ORADEA, CONSILIUL JUDETEAN ARAD, CONSILIUL JUDETEAN BIHOR CNAIR		<b>FUNCTIA / POSITION:</b>	<b>NUME / NAME:</b>	<b>SEMNATURA / SIGNATURE:</b>	<b>Titlu planșă / Drawing title:</b>	<b>REV. / REV.:</b>	<b>DATA / DATE:</b>	<b>DETALII REVIZIE / REVISION DETAILS:</b>	<b>PROIECTAT / DESIGNER:</b>	
		<b>INVESTITIA / INVESTMENT:</b> ACTUALIZARE/COMPLETARE/REVIZUIRE (S.F. + P.A.C. + P.O.E + P.T.E.) "DRUM EXPRES ARAD ORADEA" ACTUALIZATION/COMPLETION (S.F. + P.A.C. + P.O.E + P.T.E.) "EXPRESS ROAD ARAD ORADEA"		<b>COORDONATOR DE PROIECT / PROJECT MANAGER:</b>	ing. S. VEACESLAV		<b>Plan cofraj culee</b> Abutment formwork plan	R00	11.2023	PTE	Consitrans	
<b>FAZA PROIECTARE / DESIGN STAGE:</b> PROIECT TEHNIC DE EXECUTIE / EXECUTION TECHNICAL PROJECT		<b>PROIECTAT / DESIGNER:</b>		ing. V. URDAREANU		<b>LUCRARI DE POD / BRIDGE WORKS</b>						
<b>Contract / Contract:</b> 14724/01.07.2021 <b>Project / Project no.:</b> 001/2021		<b>Data / Date:</b> 11.2023		<b>Scara / Scale:</b> 1:20 1:100		<b>VERIFICAT / INTERNAL CHECKER:</b>	ing. D. COVELTIR		<b>Cod planșă / Drawing code:</b> CST-0121-PTE-0-DX-02-P23-CPC-01-R00			

