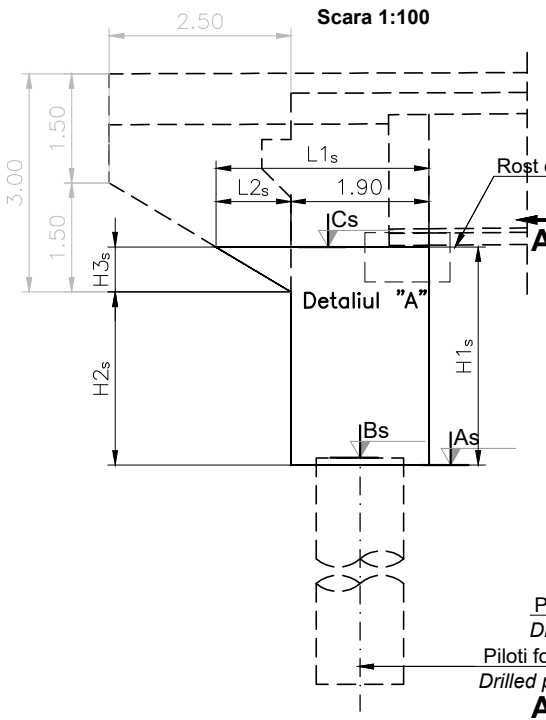
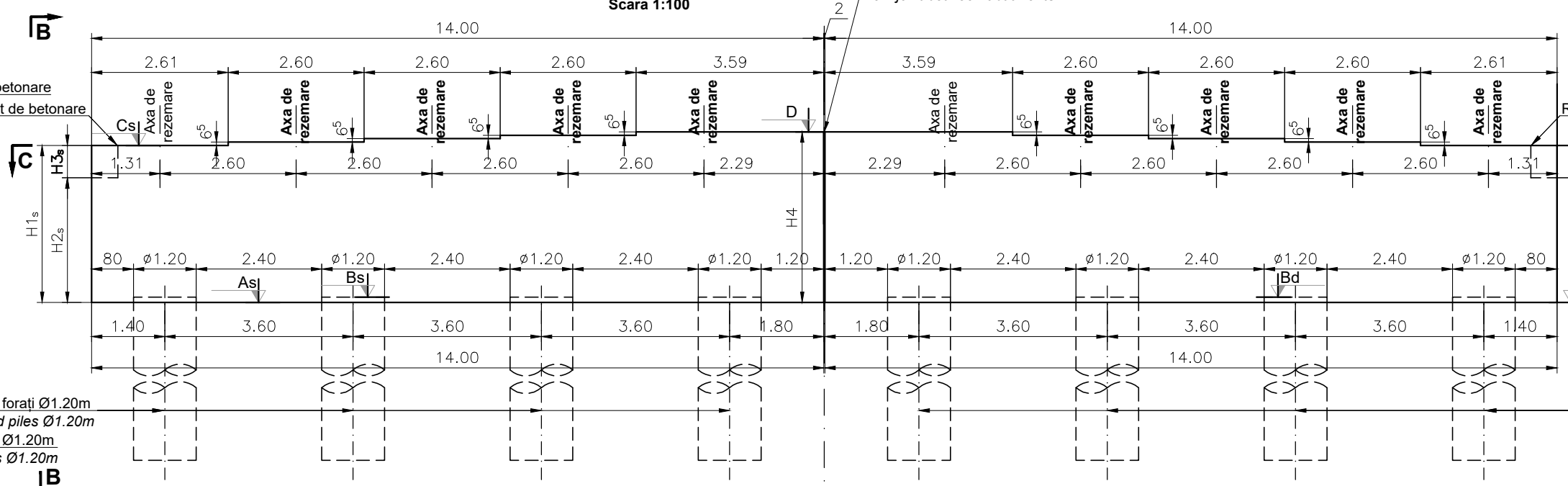


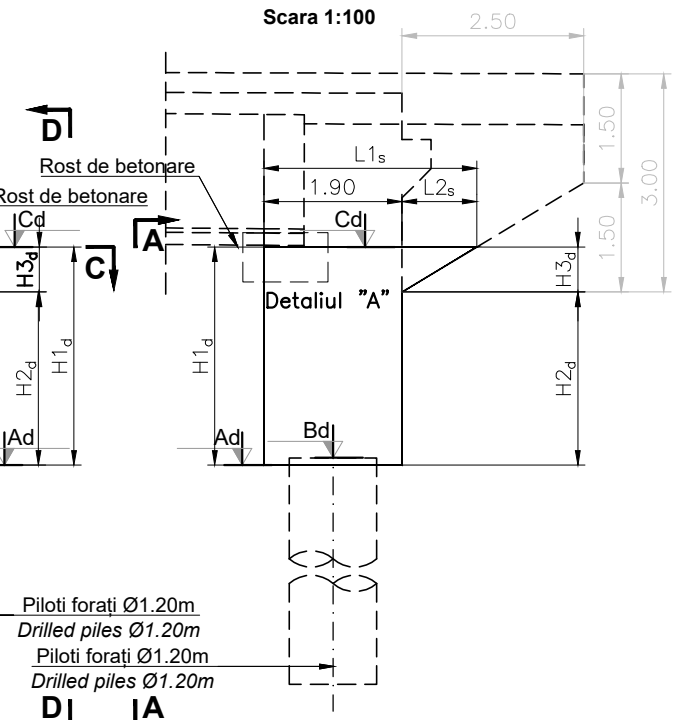
Vedere laterală B - B



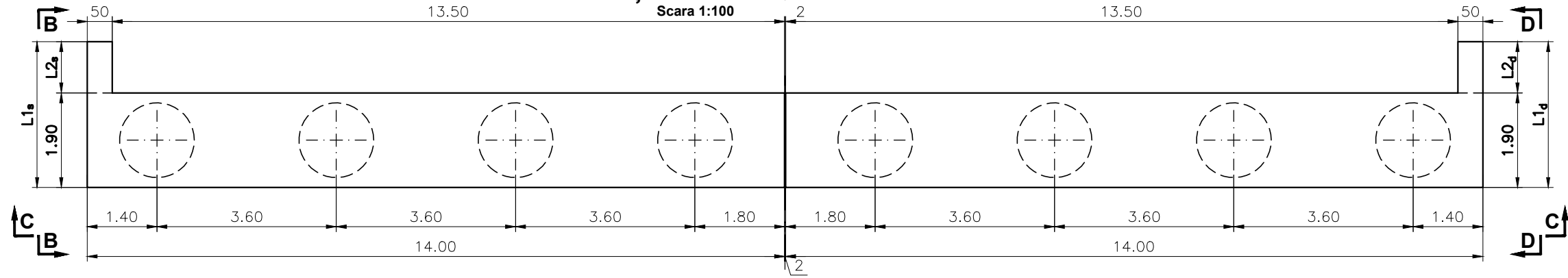
Vedere din față A - A



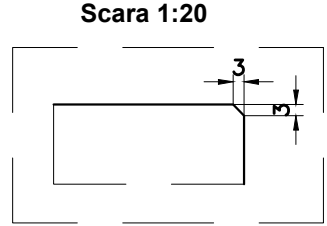
Vedere laterală D - D



Secțiune C - C



Detaliul "A"



Materiale						
Beton						
Element	Clasa de rezistență	Clasa de expunere	Raport A/C	Clasa de cloruri	Dozaj ciment [kg]	D _{max} [mm]
Beton egalizare	C12/15	X0	-	1.00	-	32
Piloți forati	C25/30	XC2	0.55	0.20	375	22.4
Radiere	C25/30	XC2; XF2	0.55	0.20	300	32
Elevatii	C30/37	XC4; XF4; XD1	0.45	0.20	340	32

Culee	Inalțimi							Lungimi				Cote de nivel																	
	H _{1s}		H _{2s}		H _{3s}		H ₄	H _{3d}		H _{2d}		H _{1d}		L _{1s}		L _{2s}		L _{1d}		L _{2d}		Fir stanga				Fir dreapta			
	As	Bs	Cs	D	Ad	Bd	Cd	D	As	Bs	Cs	D	Ad	Bd	Cd	D	As	Bs	Cs	D	Ad	Bd	Cd	D					
Culee 1	2.50	1.65	0.85	2.76	0.85	1.65	2.50	3.32	1.42	3.32	1.42	89.51	89.61	92.01	92.27	89.51	89.61	92.01	92.27	89.51	89.61	92.01	92.27						
Culee 2	2.50	1.65	0.85	2.76	0.85	1.65	2.50	3.32	1.42	3.32	1.42	89.47	89.57	91.97	92.23	89.47	89.57	91.97	92.23	89.47	89.57	91.97	92.23						

PROIECTANT / DESIGNER: S.C. CONSITRANS S.R.L.		BENEFICIAR / BENEFICIARY: MUNICIPIUL ARAD, MUNICIPIUL ORADEA, CONSILIUL JUDETEAN ARAD, CONSILIUL JUDETEAN BIHOR, CNAIR	FUNCTIA / POSITION: COORDONATOR DE PROIECT / PROJECT MANAGER	NUME / NAME: ing. S. VEACESLAV	SEMNTURA / SIGNATURE: 	Titlu plansa / Drawing title: Plan cofraj culee Abutment formwork plan	REV / REV.: R00	DATA / DATE: 11.2023	DETALII REVIZIE / REVISION DETAILS: PTE	PROIECTAT / DESIGNER: Consitrans
		INVESTITIA / INVESTMENT: ACTUALIZARE/COMPLETARE/REVIZUIRE (S.F. + P.A.C. + P.O.E. + P.T.E.) "DRUM EXPRES ARAD ORADEA" ACTUALIZATION/COMPLETION (S.F. + P.A.C. + P.O.E. + P.T.E.) "EXPRESS ROAD ARAD ORADEA"	SEF PROIECT SPECIALITATE / TEAM LEADER: ing. D. COVELTIR		LUCRARI DE POD / BRIDGE WORKS		Cod plansa / Drawing code: CST-0121-PTE-0-DX-02-P31-CPC-01-R00			
			PROIECTAT / DESIGNER: ing. V. URDAREANU	VERIFICAT / INTERNAL CHECKER: ing. D. COVELTIR		Contract /Contract: 14724/01.07.2021 Project /Project no.: 001/2021	Data / Date: 11.2023	Scala /Scale: 1:20 1:100	PROIECTANT / DESIGNER: S.C. CONSITRANS S.R.L.	