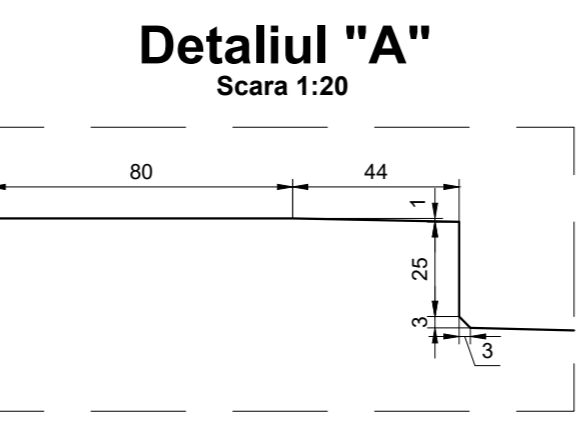


Culee	Inalțimi							Cote de nivel												
	H _{1s}	H _{2s}	H ₃	H _{2d}	H _{1d}	H _e	Fir stanga					Fir dreapta								
Culee 1	7.00	3.12	3.47	2.62	7.00	8.50	As	Bs	Cs	Ds	Es	Fs	G	Ad	Bd	Cd	Dd	Ed	Fd	G
							87.17	87.07	89.07	97.57	100.74	100.66	101.04	87.67	87.57	89.57	98.07	100.74	100.66	101.04



Materiale

Element	Clasa de rezistenta	Clasa de expunere	Raport A/C	Clasa de cloruri	Dozaj ciment [kg]	D _{max} [mm]	Consistenta
Beton egalizare	C12/15	X0	-	1.00	-	32	S4
Piloti forati	C25/30	XC2	0.55	0.20	375	22.4	S3
Radieri	C25/30	XC2; XF2	0.55	0.20	300	32	S3
Elevatii	C30/37	XC4; XF4; XD1	0.45	0.20	340	32	S3

PROIECTANT / DESIGNER: S.C. CONSITRANS S.R.L.	BENEFICIAR / BENEFICIARY: MUNICIPIUL ARAD, MUNICIPIUL ORADEA, CONSILIUL JUDETEAN CNAIR	FUNCTIA / POSITION: COORDONATOR DE PROIECT / PROJECT MANAGER	NUME / NAME: ing. S. VEACESLAV	SEMNATURA / SIGNATURE: 	Titlu plansa / Drawing title: Plan cofraj culee C1 Abutment formwork C1	REV / REV: R00	DATA / DATE: 11.2023	DETALII REVIZIE / REVISION DETAILS: Proiect Tehnic de Executie	PROIECTAT / DESIGNER: Consitrans	
INVESTITIA / INVESTMENT: ACTUALIZARE/COMPLETARE/REVIZUIRE (S.F. + P.A.C. + P.O.E. + P.T.E.) "DRUM EXPRESS ARAD ORADEA" ACTUALIZATION/COMPLETION (S.F. + P.A.C. + P.O.E. + P.T.E.) "EXPRESS ROAD ARAD ORADEA"	FAZA PROIECTARE / DESIGN STAGE: PROIECT TEHNIC DE EXECUTIE / EXECUTION TECHNICAL PROJECT	PROIECTAT / DESIGNER: ing. V. URDAREANU	SEMNATURA / SIGNATURE: 	Titlu plansa / Drawing title: Pod pe DX la km 57+600 peste Crisul Negru Bridge on DX at km 57+600 over Crisul Negru river	REV / REV: R00	DATA / DATE: 11.2023	DETALII REVIZIE / REVISION DETAILS: Proiect Tehnic de Executie	PROIECTAT / DESIGNER: Consitrans		
UNIUNEA EUROPEANA PROIECT CO-FINANȚAT DIN FONDUL DE COEZIUNE, PRIN PROGRAMUL OPERATIONAL INFRASTRUCTURA MARE / PROJECT CO-FINANCED FROM THE COHESION FUND, THROUGH THE LARGE INFRASTRUCTURE OPERATIONAL PROGRAM	Contract / Contract: 14724/01.07.2021 Project / Project no.: 001/2021	Data / Date: 11.2023	Scara / Scale: 1:100 / 1:20	VERIFICAT / INTERNAL CHECKER: ing. D. COVELTIR	SEMNATURA / SIGNATURE: 	Titlu plansa / Drawing code: CST-0121-PTE-0-DX- 02-P36-CPC-01-R00	REV / REV: R00	DATA / DATE: 11.2023	DETALII REVIZIE / REVISION DETAILS: Proiect Tehnic de Executie	PROIECTAT / DESIGNER: Consitrans