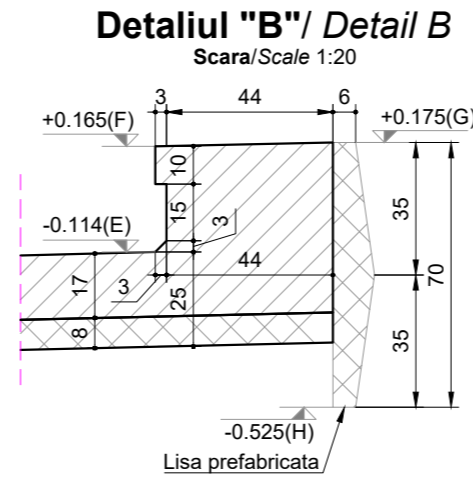
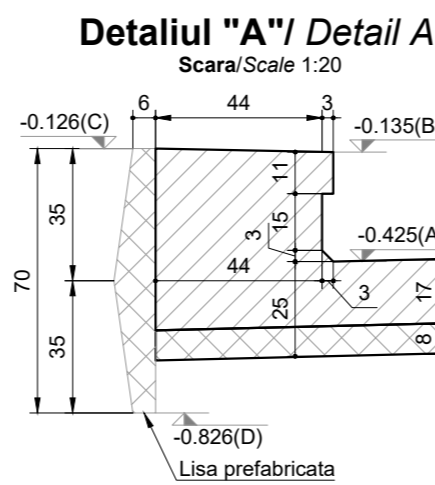


Materiale

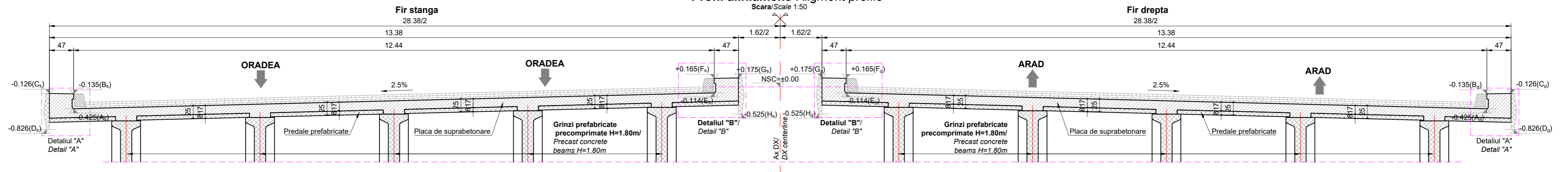
Beton							
Element	Clasa de rezistenta	Clasa de expunere	Raport A/C	Clasa de cloruri	Dozaj minim ciment [kg]	D _{max} [mm]	Consistenta
Beton egalizare	C12/15	X0	-	1.00	-	32	S4
Piloti forati	C25/30	XC2	0.55	0.20	375	22.4	S3
Radiere	C25/30	XC2; XF2	0.55	0.20	300	32	S3
Elevatii	C30/37	XC4; XF4; XD1	0.45	0.20	340	32	S3
Placi racordare	C25/30	XC2; XF2	0.55	0.20	300	32	S4
Grinzi de rezemare	C25/30	XC2; XF2	0.55	0.20	300	32	S4
Placa de suprabetonare	C35/45	XC4; XF4; XD3	0.45	0.20	340	22.4	S3
Grinzi prefabricate	C40/50	XC4; XF4; XD3	0.45	0.10	340	16	S3
Pereu	C30/37	XC4; XF4; XD1	0.45	0.20	340	22.4	S4
Fundatii pereu	C25/30	XC2	0.60	0.20	280	32	S4
Otel							
Armatura nepretensionata	B500 C						
Armatura pretensionata	Y 1860						
Confecții metalice	S235 JR						



Sectiune	Panta transversala		Cota placa suprabetonare															
	fir stanga (+ pt \ ; - pt /)	fir dreapta (+ pt \ ; - pt /)	Fir stanga								Fir dreapta							
			As	Bs	Cs	Ds	Es	Fs	Gs	Hs	Ad	Bd	Cd	Dd	Ed	Fd	Gd	Hd
1	-2.50%	-2.50%	98.664	98.955	98.964	98.264	98.975	99.255	99.264	98.564	98.664	98.955	98.964	98.264	98.975	99.255	99.264	98.564
2	-2.50%	-2.50%	98.608	98.899	98.909	98.209	98.919	99.199	99.209	98.509	98.608	98.899	98.909	98.209	98.919	99.199	99.209	98.509
3	-2.50%	-2.50%	98.533	98.824	98.834	98.134	98.844	99.124	99.134	98.434	98.533	98.824	98.834	98.134	98.844	99.124	99.134	98.434
4	-2.50%	-2.50%	98.440	98.731	98.740	98.040	98.751	99.031	99.040	98.340	98.440	98.731	98.740	98.040	98.751	99.031	99.040	98.340
5	-2.50%	-2.50%	98.327	98.618	98.628	97.928	98.638	98.918	98.928	98.228	98.327	98.618	98.628	97.928	98.638	98.918	98.928	98.228

Secțiune transversală / Cross section

Profil aliniament / Aligment profile



PROIECTANT / DESIGNER: S.C. CONSITRANS S.R.L.	BENEFICIAR / BENEFICIARY: MUNICIPIUL ARAD, MUNICIPIUL ORADEA, CONSILIUL JUDETEAN ARAD, CONSILIUL JUDETEAN BIHOR CNAIR	FUNCTIA / POSITION: COORDONATOR DE PROIECT / PROJECT MANAGER ing. S. VEACESLAV	NUME / NAME: ing. S. VEACESLAV	SEMNATURA / SIGNATURE: 	Titlu plansa / Drawing title: Plan cofraj placa suprabetonare Concrete deck formwork	REV / REV. R00	DATA / DATE: 11.2023	DETALII REVIZIE / REVISION DETAILS: P.T.E.	PROIECTAT / DESIGNER: Consitrans	
	INVESTITIA / INVESTMENT: ACTUALIZARE/COMPLETARE/REVIZUIRE (S.F. + P.A.C. + P.O.E + P.T.E.) "DRUM EXPRES ARAD ORADEA" ACTUALIZATION/COMPLETION (S.F. + P.A.C. + P.O.E + P.T.E.) "EXPRESS ROAD ARAD ORADEA"	SEF PROIECT SPECIALITATE / TEAM LEADER: ing. D. COVELTIR	PROIECTAT / DESIGNER: ing. V. URDAREANU	SEMNATURA / SIGNATURE: 	Titlu plansa / Drawing title: Pod pe DX la km 61+750 peste canal Bridge on DX at km 61+750 over channel	REV / REV. R00	DATA / DATE: 11.2023	DETALII REVIZIE / REVISION DETAILS: P.T.E.	PROIECTAT / DESIGNER: Consitrans	
FAZA PROIECTARE / DESIGN STAGE: PROIECT TEHNIC DE EXECUTIE / EXECUTION TECHNICAL PROJECT	Contract / Contract: 14724/01.07.2021 Project / Project no.: 001/2021	Data / Date: 11.2023	Scara / Scale: 1:500 1:50 1:20	VERIFICAT / INTERNAL CHECKER: ing. D. COVELTIR	SEMNATURA / SIGNATURE: 	Titlu plansa / Drawing title: LUCRARI DE POD / BRIDGE WORKS	REV / REV. R00	DATA / DATE: 11.2023	DETALII REVIZIE / REVISION DETAILS: P.T.E.	PROIECTAT / DESIGNER: Consitrans
Cod plansa / Drawing code: CST-0121-PTE-0-DX-02-P38-CPS-01-R00						REV / REV. R00	DATA / DATE: 11.2023	DETALII REVIZIE / REVISION DETAILS: P.T.E.	PROIECTAT / DESIGNER: Consitrans	