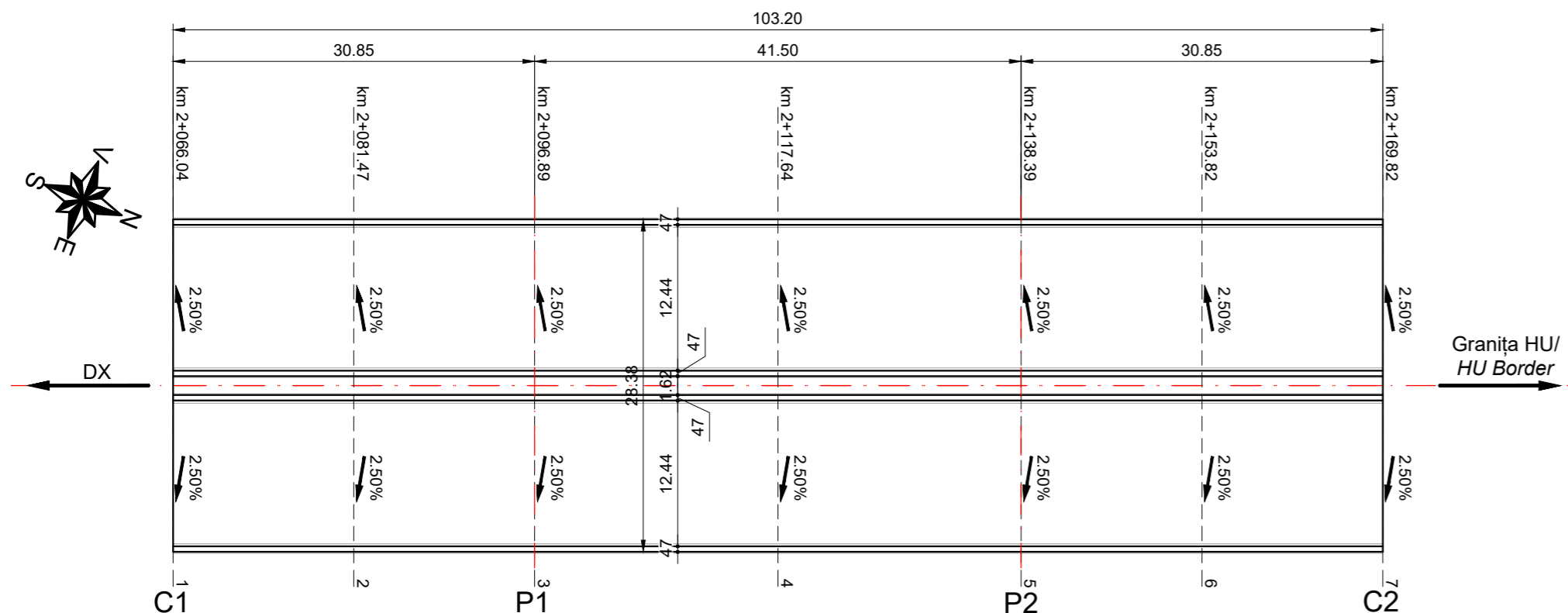


Vedere plană/ Plan view

Scara/ Scale 1:500



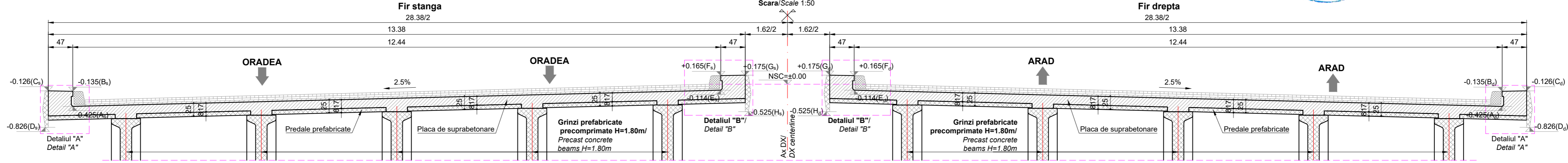
Materiale							
Beton							
Element	Clasa de rezistență	Clasa de expunere	Raport A/C	Clasa de cloruri	Dozaj minim ciment [kg]	D _{max} [mm]	Consistență
Beton egalizare	C12/15	X0	-	1.00	-	32	S4
Piloți forati	C25/30	XC2	0.55	0.20	375	22.4	S3
Radiere	C25/30	XC2; XF2	0.55	0.20	300	32	S3
Elevatii	C30/37	XC4; XF4; XD1	0.45	0.20	340	32	S3
Placi racordare	C25/30	XC2; XF2	0.55	0.20	300	32	S4
Grinzi de rezemare	C25/30	XC2; XF2	0.55	0.20	300	32	S4
Placa de suprabetonare	C35/45	XC4; XF4; XD3	0.45	0.20	340	22.4	S3
Grinzi prefabricate	C40/50	XC4; XF4; XD3	0.45	0.10	340	16	S3
Pereu	C30/37	XC4; XF4; XD1	0.45	0.20	340	22.4	S4
Fundatii pereu	C25/30	XC2	0.60	0.20	280	32	S4
Otel							
Armatura nepretensionata	B500 C						
Armatura pretensionata	Y 1860						
Confectii metalice	S235 JR						

Sectiune	Panta transversala		Cota placa suprabetonare															
	fir stanga (+ pt \; - pt /)	fir dreapta (+ pt \; - pt /)	Fir stanga								Fir dreapta							
			As	Bs	Cs	Ds	Es	Fs	Gs	Hs	Ad	Bd	Cd	Dd	Ed	Fd	Gd	Hd
1	-2.50%	-2.50%	103.389	103.680	103.690	102.990	103.700	103.980	103.990	103.290	103.389	103.680	103.690	102.990	103.700	103.980	103.990	103.290
2	-2.50%	-2.50%	103.495	103.786	103.795	103.095	103.806	104.086	104.095	103.395	103.495	103.786	103.795	103.095	103.806	104.086	104.095	103.395
3	-2.50%	-2.50%	103.560	103.851	103.861	103.161	103.871	104.151	104.161	103.461	103.560	103.851	103.861	103.161	103.871	104.151	104.161	103.461
4	-2.50%	-2.50%	103.586	103.877	103.886	103.186	103.897	104.177	104.186	103.486	103.586	103.877	103.886	103.186	103.897	104.177	104.186	103.486
5	-2.50%	-2.50%	103.540	103.831	103.840	103.140	103.851	104.131	104.140	103.440	103.540	103.831	103.840	103.140	103.851	104.131	104.140	103.440
6	-2.50%	-2.50%	103.459	103.750	103.759	103.059	103.770	104.050	104.059	103.359	103.459	103.750	103.759	103.059	103.770	104.050	104.059	103.359
7	-2.50%	-2.50%	103.338	103.629	103.639	102.939	103.649	103.929	103.939	103.239	103.338	103.629	103.639	102.939	103.649	103.929	103.939	103.239



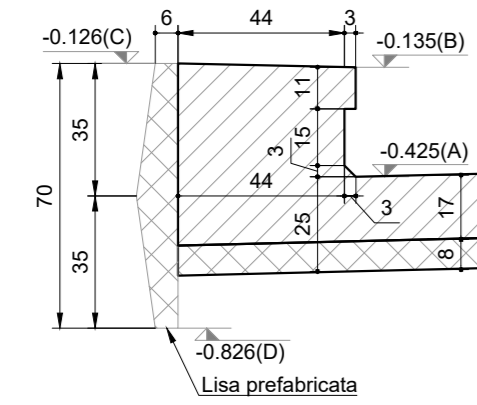
Secțiune transversală/ Cross section
Profil aliniament/ Aligment profile

Scara/Scale 1:50



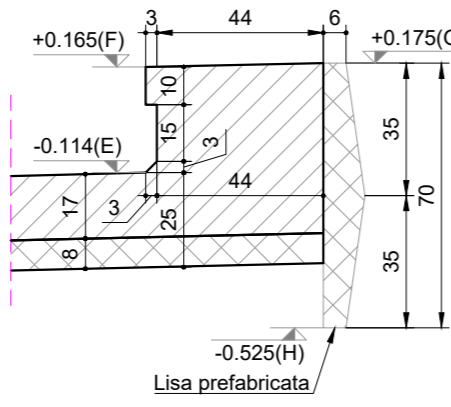
Detaliul "A" / Detail A

Scara/Scale 1:20



Detaliul "B" / Detail B

Scara/Scale 1:20



PROIECTANT / DESIGNER: S.C. CONSITRANS S.R.L.	BENEFICIAR / BENEFICIARY: MUNICIPIUL ARAD, MUNICIPIUL ORADEA, CONSILIUL JUDETEAN ARAD, CONSILIUL JUDETEAN BIHOR	FUNCTIA / POSITION: COORDONATOR DE PROIECT / PROJECT MANAGER	NUME / NAME: ing. S. VEACESLAV	SEMNATURA / SIGNATURE: 	Titlu plansa / Drawing title: Plan cofraj placa suprabetonare Concrete deck formwork	REV. / REV.: R00	DATA / DATE: 11.2023	DETALII REVIZIE / REVISION DETAILS: P.T.E.	PROIECTAT / DESIGNER: Consitrans
INVESTITIA / INVESTMENT: ACTUALIZARE/COMPLETARE/REVIZUIRE (S.F. + P.A.C. + P.O.E + P.T.E.) "DRUM EXPRES ARAD ORADEA"	SEF PROIECT / SPECIALITATE / TEAM LEADER: ing. D. COVELTIR	PROIECTAT / DESIGNER: ing. V. URDAREANU	VERIFICAT / INTERNAL CHECKER: ing. D. COVELTIR	FAZA PROIECTARE / DESIGN STAGE: PROIECT tehnic de executie / EXECUTION TECHNICAL PROJECT	Contract / Contract: 14724/01.07.2021	Data / Date: 11.2023	Scara / Scale: 1:500 1:50 1:20	Cod plansa / Drawing code: CST-0121-PTE-0-DX-03-P65-CPS-01-R00	UNIUNEA EUROPEANA PROIECT CO-FINANȚAT DIN FONDUL DE COEZIUNE, PRIN PROGRAMUL OPERAȚIONAL INFRASTRUCTURĂ MARE / PROJECT CO-FINANCED FROM THE COHESION FUND, THROUGH THE LARGE INFRASTRUCTURE OPERATIONAL PROGRAM