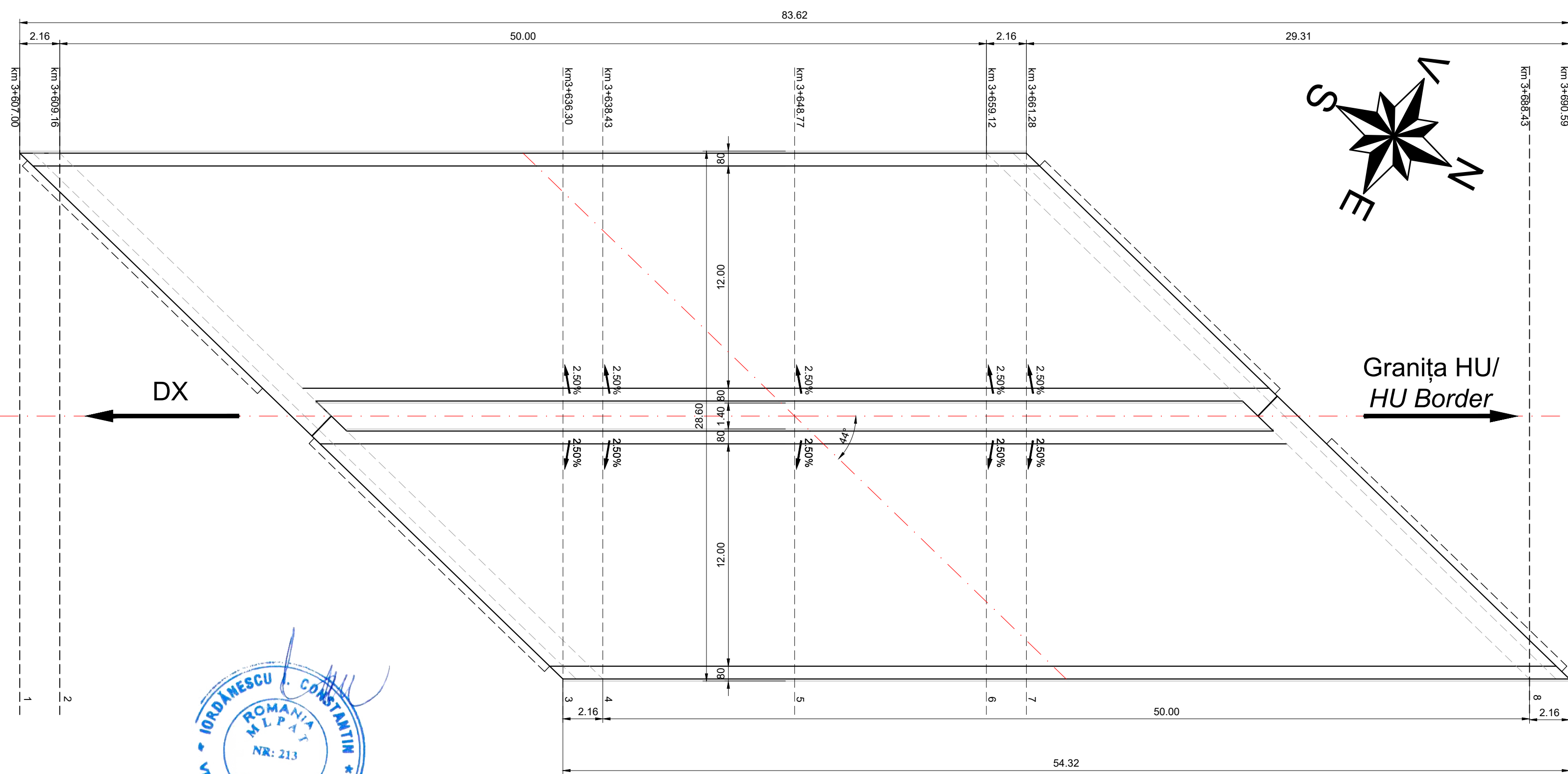


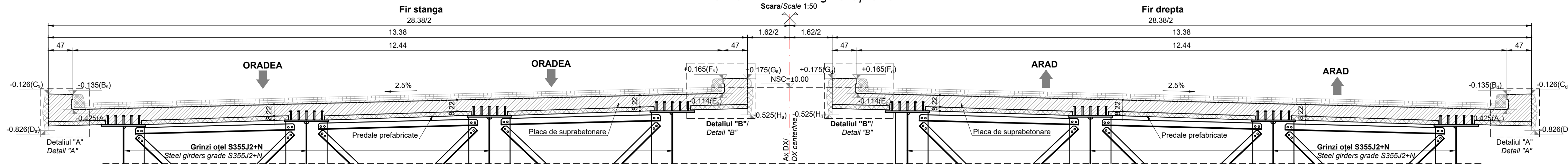
Vedere plană/ Plan view
Scara 1:200/Scale 1:200



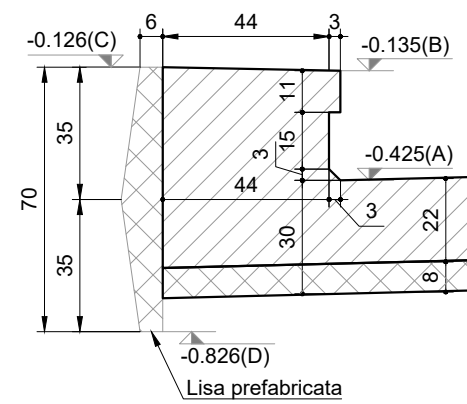
Secțiune	Panta transversala		Cota placa suprabetonare															
	fir stanga (+ pt \ ; - pt /)	fir dreapta (+ pt \ ; - pt /)	Fir stanga				Fir dreapta				Fir dreapta							
			As	Bs	Cs	Ds	Es	Fs	Gs	Hs	Ad	Bd	Cd	Dd	Ed	Fd	Gd	Hd
1	-2.50%	-2.50%			97.356	96.656												
2	-2.50%	-2.50%	97.062	97.353	97.362	96.662												
3	-2.50%	-2.50%	97.127	97.418	97.427	96.727	97.438	97.718	97.727	97.027	97.127	97.418	97.427	96.727	97.438	97.718	97.727	97.027
4	-2.50%	-2.50%	97.130	97.421	97.431	96.731	97.441	97.721	97.731	97.031	97.130	97.421	97.431	96.731	97.441	97.721	97.731	97.031
5	-2.50%	-2.50%	97.144	97.435	97.445	96.745	97.455	97.735	97.745	97.045	97.144	97.435	97.445	96.745	97.455	97.735	97.745	97.045
6	-2.50%	-2.50%	97.153	97.444	97.454	96.754	97.464	97.744	97.754	97.054	97.153	97.444	97.454	96.754	97.464	97.744	97.754	97.054
7	-2.50%	-2.50%	97.154	97.445	97.455	96.755	97.465	97.745	97.755	97.055	97.154	97.445	97.455	96.755	97.465	97.745	97.755	97.055
8	-2.50%	-2.50%									97.148	97.439	97.449	96.749				
9	-2.50%	-2.50%											97.447	96.747				

Materiale							
Beton							
Element	Clasa de rezistenta	Clasa de expunere	Raport A/C	Clasa de cloruri	Dozaj minim ciment [kg]	D _{max} [mm]	Consistenta
Beton egalizare	C12/15	X0	-	1.00	-	32	S4
Piloli forati	C25/30	XC2	0.55	0.20	375	22.4	S3
Radiere	C25/30	XC2; XF2	0.55	0.20	300	32	S3
Elevatii	C30/37	XC4; XF4; XD1	0.45	0.20	340	32	S3
Placi racordare	C25/30	XC2; XF2	0.55	0.20	300	32	S4
Grinzi de rezemare	C25/30	XC2; XF2	0.55	0.20	300	32	S4
Placa de suprabetonare	C35/45	XC4; XF4; XD3	0.45	0.20	340	22.4	S3
Grinzi prefabricate	C40/50	XC4; XF4; XD3	0.45	0.10	340	16	S3
Pereu	C30/37	XC4; XF4; XD1	0.45	0.20	340	22.4	S4
Fundatii pereu	C25/30	XC2	0.60	0.20	280	32	S4
Otel							
Armatura nepretensionata	B500 C						
Armatura pretensionata	Y 1860						
Confectii metalice	S235 JR						

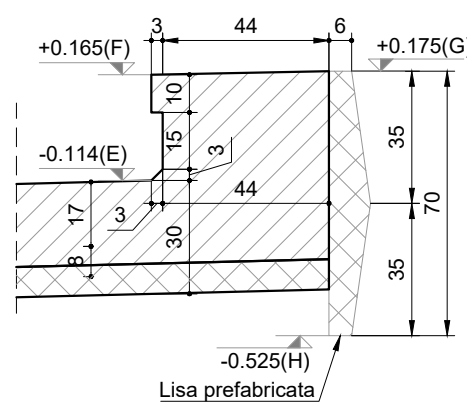
Secțiune transversală/ Cross section
Profil aliniament/ Aligment profile



Detaliul "A" / Detail A
Scara/Scale 1:20



Detaliul "B" / Detail B
Scara/Scale 1:20



PROIECTANT / DESIGNER: S.C. CONSITRANS S.R.L.	BENEFICIAR / BENEFICIARY: MUNICIPIUL ARAD, MUNICIPIUL ORADEA, CONSILIUL JUDETEAN ARAD, CONSILIUL JUDETEAN BIHOR	FUNCTIA / POSITION: COORDONATOR DE PROIECT / PROJECT MANAGER	NUME / NAME: ing. S. VEACESLAV	SEMNTATURA / SIGNATURE: <i>[Signature]</i>	Titlu plansa / Drawing title: Plan cofraj placa suprabetonare Concrete deck formwork	REV / REV: R00	DATA / DATE: 11.2023	DETALII REVIZIE / REVISION DETAILS: P.T.E.	PROIECTAT / DESIGNER: Consitrans
	INVESTITIA / INVESTMENT: ACTUALIZARE/COMPLETARE/REVIZUIRE (S.F. + P.A.C. + P.O.E + P.T.E.) "DRUM EXPRES ARAD ORADEA"	SEF PROIECT / SPECIALITATE / TEAM LEADER: ing. D. COVELTIR			Pod pe DL HU la km 3+675 peste canal Bridge on DL HU at km 3+675 over water channel				
	FAZA PROIECTARE / DESIGN STAGE: PROIECT TEHNIC DE EXECUTIE / EXECUTION TECHNICAL PROJECT	PROIECTAT / DESIGNER: ing. V. URDAREANU			LUCRARI DE POD / BRIDGE WORKS				
	Contract / Contract: 14724/01.07.2021	VERIFICAT / INTERNAL CHECKER: ing. D. COVELTIR			Cod plansa / Drawing code: CST-0121-PTE-0-DX-03-P66-CPS-01-R00				
	UNIUNEA EUROPEANA	Scara / Scale: 1:500 1:50 1:20							