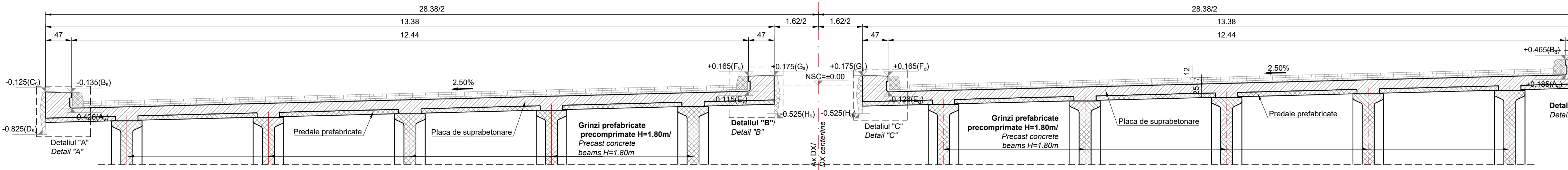


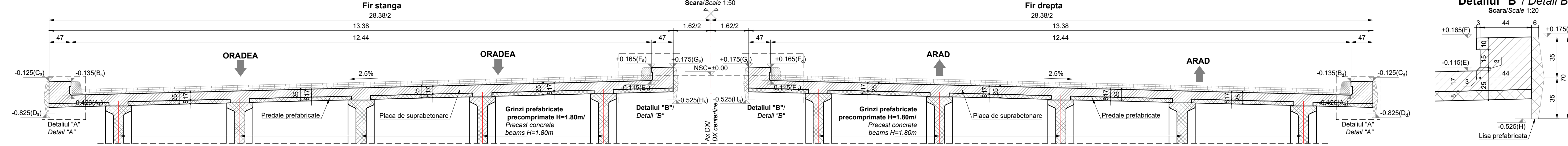
Secțiune	Panta transversală		Cota plăca suprapetonare															
	fir stanga (+ pt \ - pt)	fir dreapta (+ pt \ - pt)	As	Bs	Cs	Ds	Es	Fs	Gs	Hs	Ad	Bd	Cd	Dd	Ed	Fd	Gd	Hd
1	-2.50%	-2.50%	100.967	101.258	101.268	100.568	101.278	101.558	101.568	100.868	100.967	101.258	101.268	100.568	101.278	101.558	101.568	100.868
2	-2.50%	-2.50%	101.469	101.760	101.769	101.069	101.780	102.060	102.069	101.369	101.469	101.760	101.769	101.069	101.780	102.060	102.069	101.369
3	-2.50%	-2.50%	101.900	102.191	102.200	101.500	102.211	102.500	102.509	101.800	101.900	102.191	102.200	101.500	102.211	102.500	102.509	101.800
4	-2.50%	-2.50%	102.252	102.543	102.553	101.853	102.563	102.843	102.853	102.153	102.252	102.543	102.553	101.853	102.563	102.843	102.853	102.153
5	-2.50%	-2.50%	102.524	102.815	102.824	102.124	102.835	103.115	103.124	102.424	102.524	102.815	102.824	102.124	102.835	103.115	103.124	102.424
6	-2.50%	-2.50%	102.687	102.978	102.987	102.287	102.998	103.278	103.287	102.587	102.687	102.978	102.987	102.287	102.998	103.278	103.287	102.587
7	-2.50%	-2.50%	102.719	103.010	103.019	102.319	103.030	103.310	103.319	102.619	102.719	103.010	103.019	102.319	103.030	103.310	103.319	102.619
8	-2.50%	-2.50%	102.821	103.112	103.122	102.422	103.132	103.412	103.422	102.722	102.821	103.112	103.122	102.422	103.132	103.412	103.422	102.722
9	-2.50%	-2.50%	102.838	103.129	103.139	102.439	103.149	103.429	103.439	102.739	102.838	103.129	103.139	102.439	103.149	103.429	103.439	102.739
10	-2.50%	-2.50%	102.878	103.169	103.178	102.478	103.189	103.469	103.478	102.778	102.878	103.169	103.178	102.478	103.189	103.469	103.478	102.778
11	-2.50%	-2.50%	102.880	103.171	103.180	102.480	103.191	103.471	103.480	102.780	102.880	103.171	103.180	102.480	103.191	103.471	103.480	102.780
12	-2.50%	-2.50%	102.867	103.158	103.167	102.467	103.178	103.458	103.467	102.767	102.867	103.158	103.167	102.467	103.178	103.458	103.467	102.767
13	-2.50%	-2.50%	102.856	103.147	103.157	102.457	103.167	103.447	103.457	102.757	102.856	103.147	103.157	102.457	103.167	103.447	103.457	102.757
14	-2.50%	-2.50%	102.806	103.097	103.107	102.407	103.117	103.397	103.407	102.707	102.806	103.097	103.107	102.407	103.117	103.397	103.407	102.707
15	-2.50%	-2.50%	102.784	103.075	103.084	102.384	103.095	103.375	103.384	102.684	102.784	103.075	103.084	102.384	103.095	103.375	103.384	102.684
16	-2.50%	-2.50%	102.660	102.951	102.960	102.260	102.971	103.251	103.260	102.560	102.660	102.951	102.960	102.260	102.971	103.251	103.260	102.560
17	-2.50%	-2.50%	102.622	102.913	102.923	102.223	102.933	103.213	103.223	102.523	102.622	102.913	102.923	102.223	102.933	103.213	103.223	102.523
18	-2.50%	-2.50%	102.487	102.778	102.788	102.088	102.798	103.078	103.088	102.388	102.487	102.778	102.788	102.088	102.798	103.078	103.088	102.388
19	-2.50%	-2.50%	102.438	102.729	102.739	102.039	102.749	103.029	103.039	102.339	102.438	102.729	102.739	102.039	102.749	103.029	103.039	102.339
20	-2.50%	-2.50%	102.204	102.495	102.504	101.804	102.514	102.794	102.804	102.104	102.204	102.495	102.504	101.804	102.514	102.794	102.804	102.104
21	-2.50%	-2.50%	101.840	102.131	102.141	101.441	102.151	102.431	102.441	101.741	101.840	102.131	102.141	101.441	102.151	102.431	102.441	101.741
22	-2.50%	-2.50%	101.398	101.689	101.698	100.998	101.709	101.989	101.998	101.298	101.398	101.689	101.698	100.998	101.709	101.989	101.998	101.298
23	-2.50%	-2.50%	100.884	101.175	101.184	100.484	101.195	101.475	101.484	100.784	100.884	101.175	101.184	100.484	101.195	101.475	101.484	100.784



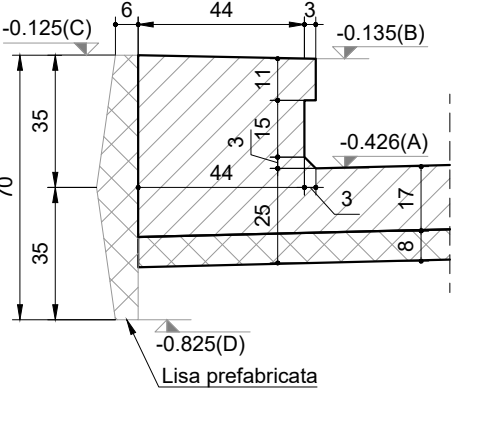
Secțiune transversală / Cross section
Profil convertit / Converted profile
Scara / Scale 1:50



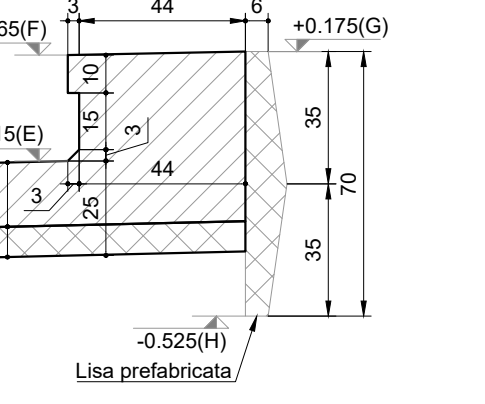
Secțiune transversală / Cross section
Profil aliniament / Alignment profile
Scara / Scale 1:50



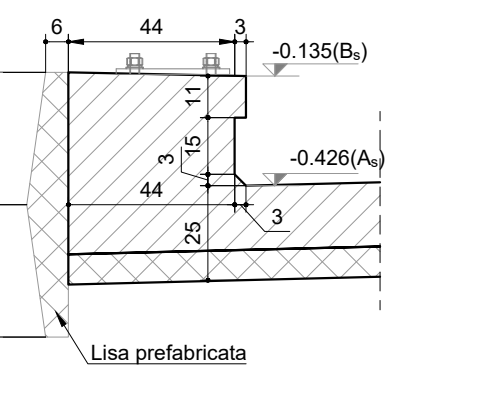
Detaliul "A" / Detail A
Scara / Scale 1:20



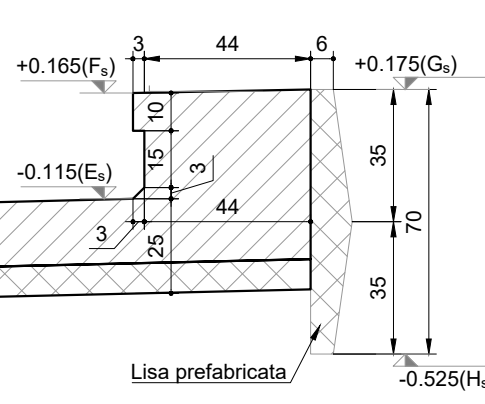
Detaliul "B" / Detail B
Scara / Scale 1:20



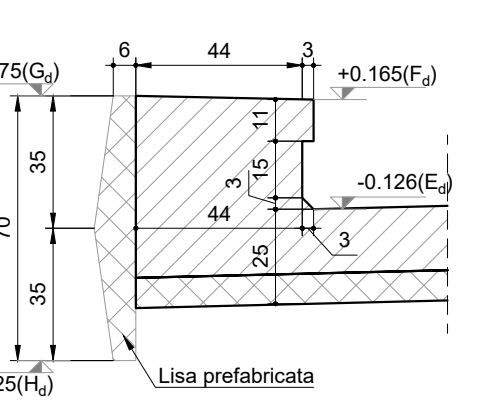
Detaliul "A" / Detail A
Scara / Scale 1:20



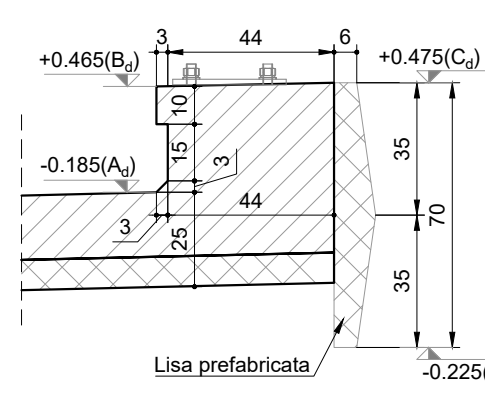
Detaliul "B" / Detail B
Scara / Scale 1:20



Detaliul "C" / Detail C
Scara / Scale 1:20



Detaliul "D" / Detail D
Scara / Scale 1:20



Beton						
Element	Clasa de rezistență	Clasa de expunere	Raport A/C	Clasa de cloruri	Dozaj minim ciment [kg]	D _{max} [mm]
Beton egalizare	C12/15	X0	-	1.00	-	32
Piloți forți	C25/30	XC2	0.55	0.20	375	22.4
Radiere	C25/30	XC2, XF2	0.55	0.20	300	32
Elevați	C30/37	XC4, XF4, XD1	0.45	0.20	340	32
Placi racordare	C25/30	XC2, XF2	0.55	0.20	300	32
Grinzi de rezemare	C25/30	XC2, XF2	0.55	0.20	300	32
Placa de suprapetonare	C35/45	XC4, XF4, XD3	0.45	0.20	340	22.4
Grinzi prefabricate	C40/50	XC4, XF4, XD3	0.45	0.10	340	16
Grinzi prefabricate	C30/37	XC4, XF4, XD1	0.45	0.20	340	22.4
Fundatii peruu	C25/30	XC2	0.60	0.20	280	32
Otel						
Armatura nepretensionata	B500 C					
Armatura pretensionata	Y 1860					
Conectii metalice	S235 JR					

PROIECTANT / DESIGNER: S.C. CONSTTRANS S.R.L.	BENEFICIAR / BENEFICIARY: MUNICIPUL ARAD, MUNICIPIUL ORADEA, CONSILIUL JUDETEAN ARAD, CONSILIUL JUDETEAN BIHOR, CNAR	FUNCTIA / POSITION: ing. S. VEACESLAV	SEMNATURA / SIGNATURE: <i>[Signature]</i>	Titlu planșă / Drawing title: Plan cofraj placa suprapetonare Concrete deck formwork	REVI / REV:	DATA / DATE:	DETALI REVIZIE / REVISION DETAILS:	PROIECTANT / DESIGNER:
	INVESTITIA / INVESTMENT: ACTUALIZARE/COMPLETARE/REVIZUIRE (S.F. + P.A.C. + P.O.E. + P.T.E.) "DRUM EXPRES ARAD ORADEA"	COORDONATOR DE PROIECT / PROJECT MANAGER: ing. D. COVELTIR		SAJUL PE DL HU la km 4+870 peste CF si DN795 Bridge on DL HU at km 4+870 over CF and DN795		11.2023		CONSTTRANS
	FAZA PROIECTARE / DESIGN STAGE: PROIECT TEHNIC DE EXECUTIE / EXECUTION TECHNICAL PROJECT	PROIECTANT / DESIGNER: ing. V. URDAREANU		LUCRARI DE POD / BRIDGE WORKS				
	Contract / Contract: 14724/01.07.2021 Data / Date: 11.2023	PROIECTANT / INTERNAL CHECKER: ing. D. COVELTIR		Cod planșă / Drawing code: CST-0121-PT-E-0-DX- 03-P67-CPS-01-R00				